

Torqueleader Torque Limiting Screwdrivers

Pre-set slipping torque screwdrivers for the application of low torque values.

Wide range

Twenty models covering a torque range of 0.5 cN.m to 13.6 N.m.

Eliminates overtightening

Smooth, bi-directional, 'slipping' mechanism signals when the set torque has been achieved and completely eliminates overtightening.

Automatic resetting

Precision radial ball clutch and cam design gives automatic re-setting.

Ideal for production use

Tamper proof adjustment, compact, lightweight construction with colour coded aluminium handles.

Easy to set

No adjustment scale - must be pre-set using ETCA, TCA or similar torque analyser - see pages 38-41. Adjustment by hexagon key.

Options

Single direction and electro-static discharge handle options available.

Minor, Standard and TLS 1360 available with 'Impact Free' Resetting (IFR) option.

Accessories

Wide range of accessories available - see page 53.

TLS 0022 and Micro models

Supplied with 1/4" Female Hex (FH) bit holder for use with 'screwdriver' blades and accessories.

End cap features a 'finger dimple' enabling the tool to be used as a jewellers screwdriver.

TLS 0022 finished in gold and black, TLS 0022 Micro finished in red and black.

Minor and Standard models

Available with either 1/4" Square Drive (SD) spindle for use with nut sockets or 1/4" Female Hex (FH) to suit screwdriver bits.

Choice of four handle colours on Minor and Standard models for identification - Blue, Green, Red and Gold.

PVC Handle Grips available - see page 50.

TLS 1360 models

Available with either 1/4" Square Drive (SD) spindle for use with nut sockets or 1/4" Female Hex (FH) to suit screwdriver bits.

TLS 1360 is supplied with black anodised handle and removable Tee Bar to provide extra leverage where required.

Note: Does not affect torque setting or accuracy.



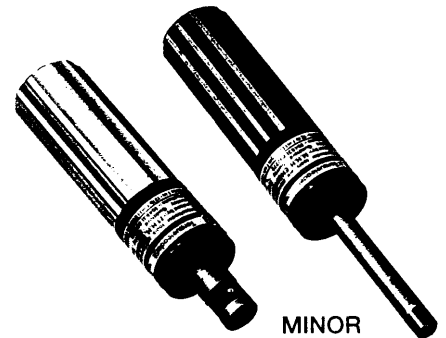
Designed and manufactured to meet the accuracy and repeatability requirements of ISO 6789 : 1992.



TLS 0022



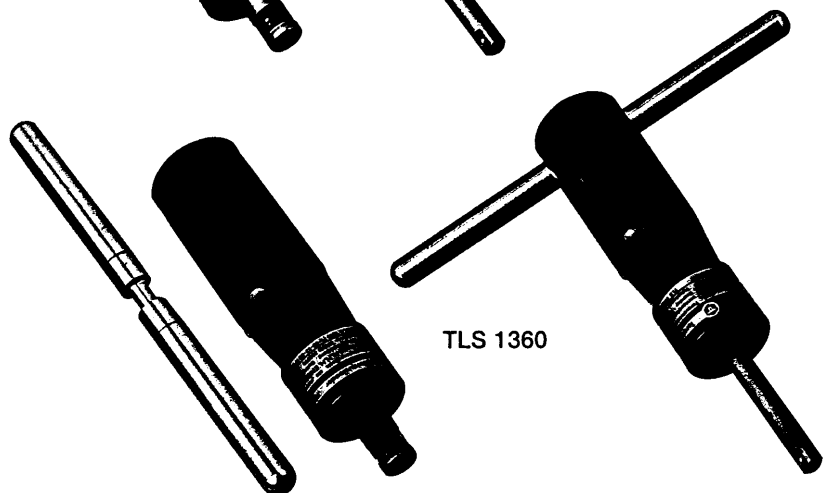
TLS 0022 MICRO



MINOR



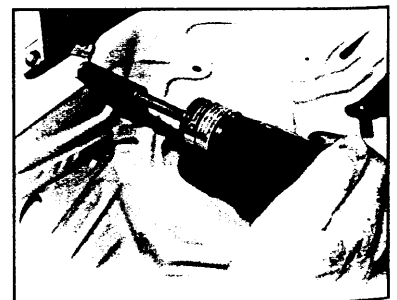
STANDARD



TLS 1360

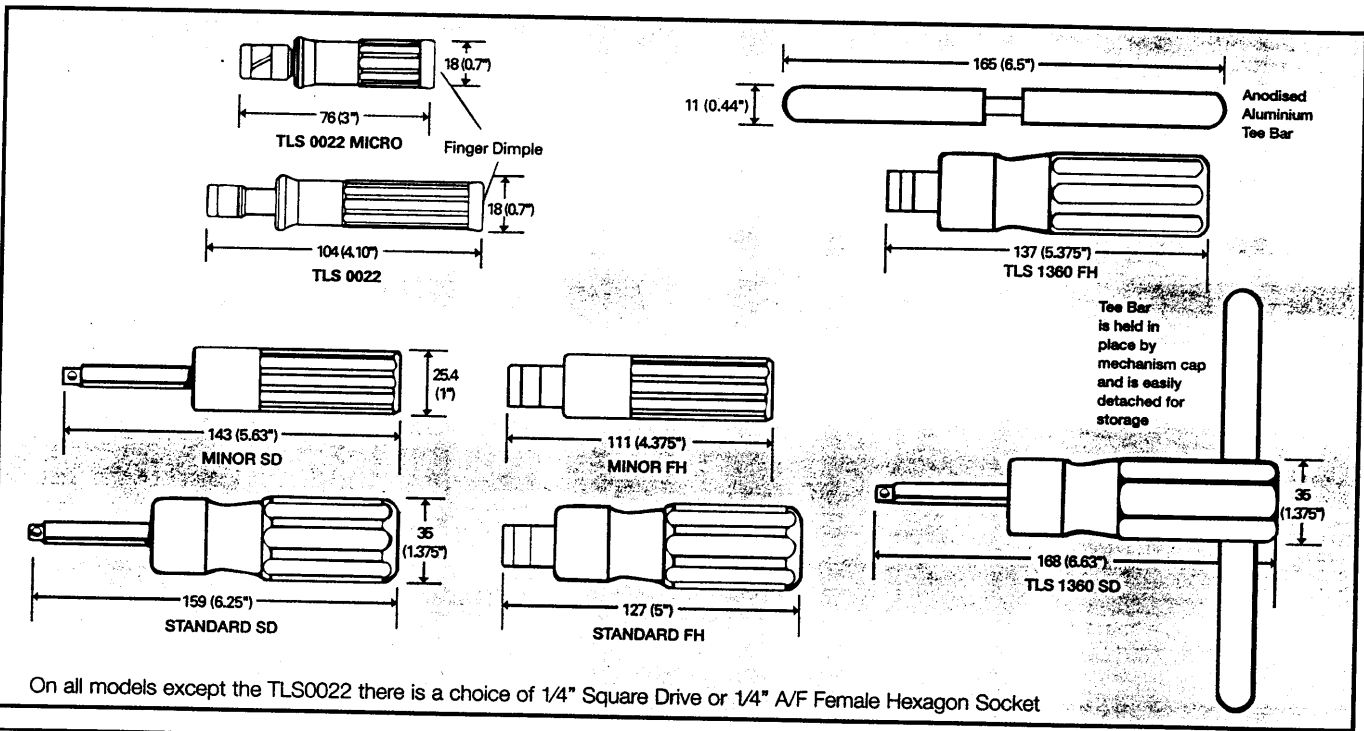


A 'Minor' Screwdriver tightening fasteners on delicate electronic equipment.

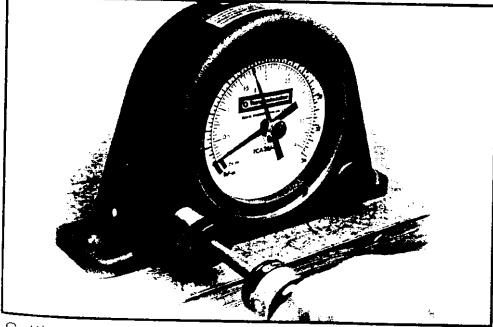


A 'Standard' Screwdriver being used by Vauxhall Motors in the assembly of an Astra rear light cluster.

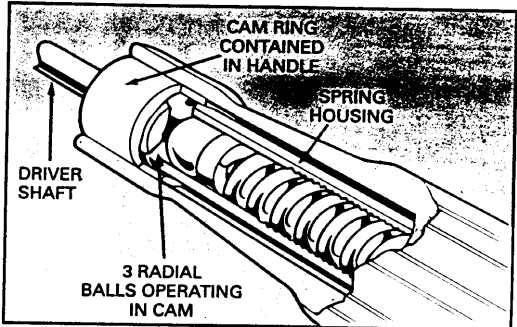
Torqueleader Torque Limiting Screwdrivers



MODEL	COLOUR	ORDERING CODE	← RANGE →		gm	oz
TLS 0022 MICRO FH	Red	015000	2 - 22 cN.m	3 - 32 ozf.in	50	1.8
TLS 0022 FH	Gold	015080	0.5 - 22 cN.m	0.7 - 32 ozf.in	72	2.5
MINOR SD	Blue	015100	2 - 135 cN.m	3 ozf.in - 12 lbf.in	210	7.4
MINOR FH	Blue	015200	2 - 135 cN.m	3 ozf.in - 12 lbf.in	210	7.4
MINOR SD	Green	015120	2 - 135 cN.m	3 ozf.in - 12 lbf.in	210	7.4
MINOR FH	Green	015220	2 - 135 cN.m	3 ozf.in - 12 lbf.in	210	7.4
MINOR SD	Red	015140	2 - 135 cN.m	3 ozf.in - 12 lbf.in	210	7.4
MINOR FH	Red	015240	2 - 135 cN.m	3 ozf.in - 12 lbf.in	210	7.4
MINOR SD	Gold	015160	2 - 135 cN.m	3 ozf.in - 12 lbf.in	210	7.4
MINOR FH	Gold	015260	2 - 135 cN.m	3 ozf.in - 12 lbf.in	210	7.4
STANDARD SD	Blue	015500	6 - 406 cN.m	8 ozf.in - 36 lbf.in	280	9.9
STANDARD FH	Blue	015600	6 - 406 cN.m	8 ozf.in - 36 lbf.in	280	9.9
STANDARD SD	Green	015520	6 - 406 cN.m	8 ozf.in - 36 lbf.in	280	9.9
STANDARD FH	Green	015620	6 - 406 cN.m	8 ozf.in - 36 lbf.in	280	9.9
STANDARD SD	Red	015540	6 - 406 cN.m	8 ozf.in - 36 lbf.in	280	9.9
STANDARD FH	Red	015640	6 - 406 cN.m	8 ozf.in - 36 lbf.in	280	9.9
STANDARD SD	Gold	015560	6 - 406 cN.m	8 ozf.in - 36 lbf.in	280	9.9
STANDARD FH	Gold	015660	6 - 406 cN.m	8 ozf.in - 36 lbf.in	280	9.9
TLS 1360 SD	Black	015900	1 - 13.60 N.m	10 - 120 lbf.in	325	11.5
TLS 1360 FH	Black	015920	1 - 13.60 N.m	10 - 120 lbf.in	325	11.5



Setting a 'Standard' on a TCA Calibration Analyser



Screwdriver clutch mechanism