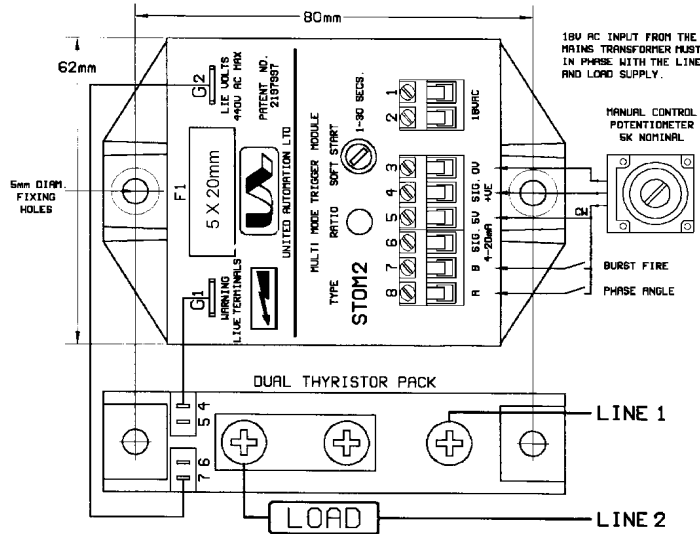
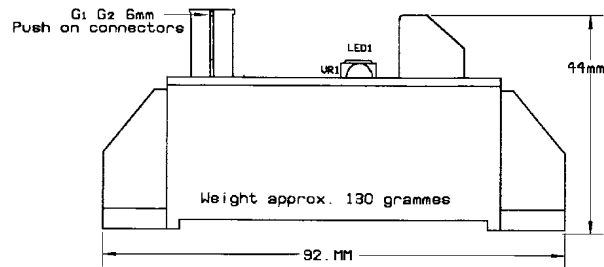


## INSTALLATION



CONTROL OPTIONS  
 DC INPUT  
 VOLTAGE CONTROL  
 TERMINALS 3,4 AND 5  
 3 = 0V  
 4 = 0 TO 5V  
 5 = 5V OUTPUT  
 5K INPUT  
 CURRENT CONTROL  
 TERMINALS 3 AND 6  
 3 = 0V  
 6 = 4-20mA  
 240R INPUT

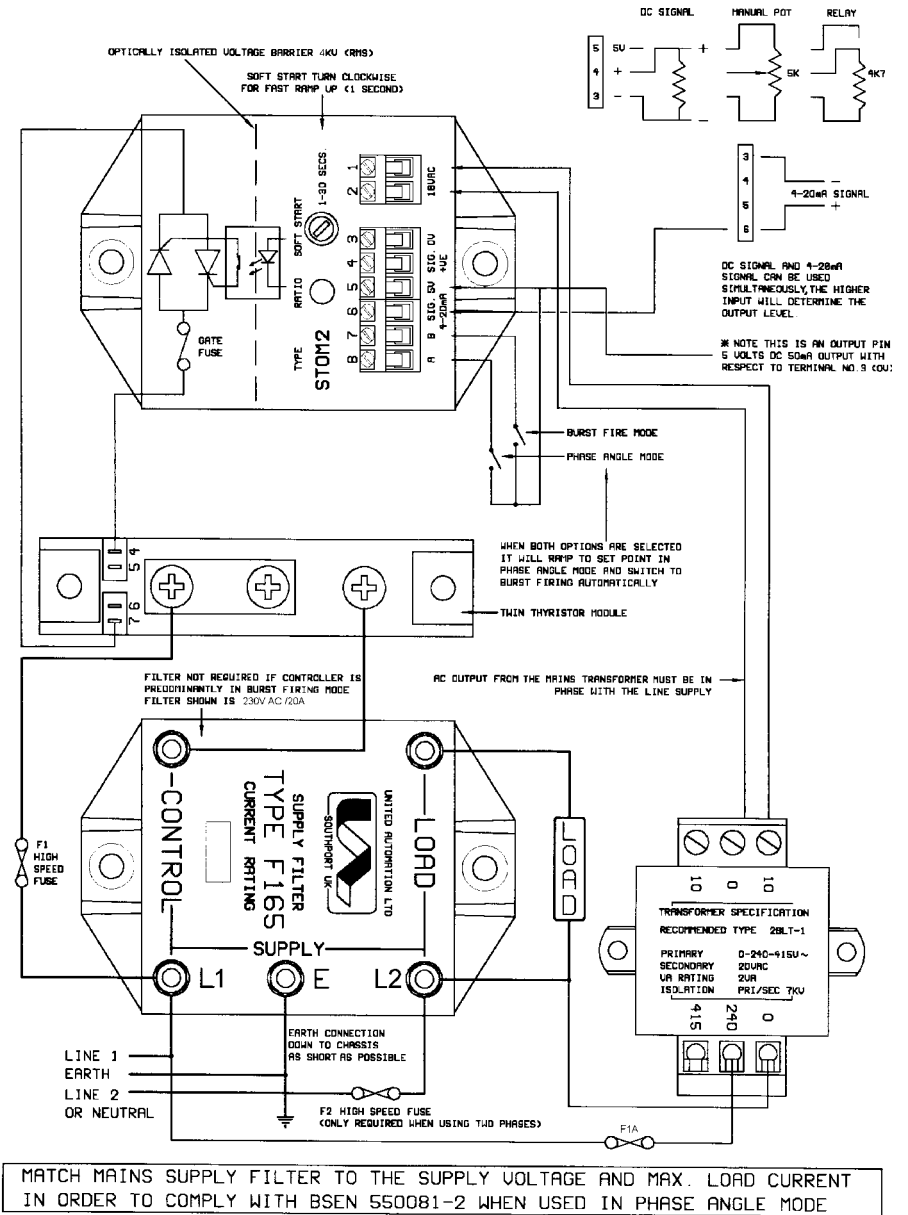
MODE A PHASE ANGLE  
 TERMINAL A AND 5  
 A = 5V  
 5 = 5V  
 MODE B BURST FIRE  
 TERMINALS B AND 5  
 B = 5V  
 5 = 5V  
 MODE A AND B START IN  
 PHASE ANGLE SWITCHING  
 TO BURST FIRE  
 TERMINAL A,B AND 5  
 A = 5V  
 B = 5V  
 5 = 5V

PHASE REFERENCE AND  
 SUPPLY TERMINALS 1 AND 2  
 10V TO 18V AC AT 75 mA  
**OUTPUT CONNECTIONS G1, G2**  
 UP TO 440V ac MAX  
 50 TO 60 Hz +/- 5  
 GATE CURRENT 1A MAX

### WARNING

SWITCH OFF SUPPLY BEFORE COMMENCING  
 ANY SERVICE WORK

## INSTALLATION



## SPECIFICATIONS

Min line voltage	5V ac	Trigger output rating	1A
Max line voltage	440V ac	Power consumption	1.2 watts
Operating frequency	50 to 60 Hz +/- 5%	Mono-link fuse	F100mA (HRC)
Max electrical isolation	4000V ac	Soft start	1-30 sec
AC input supply	10 - 18V ac @ 75mA	Auxiliary output	5V dc
Storage temp range	-20°C to 85°C	Control signals	0-5V dc & 4-20mA
Max operating temp	0°C to 65°C	Gate terminals	6.3mm x 0.8mm

## FUSING

It is recommended to use semiconductor fast acting type fuses or circuit breakers (Semiconductor-MCB) for unit/device protection. On initial 'switch on' some loads may need an increased Factor of Safety (F of S) for unit and/or device protection.  
(See the SRA Datasheet for further information).

## CE MARKING

This product family carries a "CE marking". These phase angle controllers need a suitable remote filter. For information see recommendation section and contact our sales desk.  
(See the Declaration of Conformity).

## RECOMMENDATION

Other documents available on request, which may be appropriate for your applications.

CODE	IDENTITY	DESCRIPTION
X10229	RFI	Filtering recommendation - addressing EMC directive.
X10213	ITA	Interaction, uses for phase angle and for burst fire control.
X10255	SRA	Safety requirements - addressing the Low Voltage Directive (LVD) including :-Thermal data/cooling ; "Live" parts warning & Earth requirements; Fusing recommendations.
AP02/4	COS	UAL Conditions of sale

**NOTE** It is recommended that installation and maintenance of this equipment should be done with reference to the current edition of the I.E.E. Wiring Regulations (BS7671) by suitably qualified/trained personnel. The regulations contain important requirements regarding safety of electrical equipment. (For International Standards refer to I.E.C. Directive I.E.C. 950).

## ORDER CODE:

State part number: Stom2.

Optional extras include: Potentiometer, Supply Transformer, Thyristor module, Filter.



**UNITED AUTOMATION LIMITED**  
1Southport Business Park  
Kew  
Southport, PR8 4HQ  
ENGLAND  
Tel: 0044 (0) 1704 – 516500 Main  
Tel: 0044 (0) 1704 – 516516 Sales  
Fax: 0044 (0) 1704 – 516501  
Enquiry@united-automation.com

Page No. 2 of 2

Issue 2

Date 07/03/01



## MICROPROCESSOR BASED 10V TO 440V DUAL MODE TRIGGER MODULE

## STOM2

X10245

## DESCRIPTION

The STOM2 is a microprocessor based trigger module capable of driving most power thyristors. The STOM2 has two modes of triggering control, Phase angle and Burst firing either can be selected separately. The module can also be used for soft starting in Phase angle and it will automatically switch to Burst fire mode when the control signal has reached a preset level. The STOM2 has a soft start from power up which can be set from 0-30 seconds. The signal inputs are fully isolated operating from either 0-5V dc or 4-20mA accepting signals from temperature controllers, manual potentiometer, microprocessors etc.

## APPLICATIONS

Suitable for most resistive and inductive loads including ovens, moulders, and dryers Ideal for unusual heating loads which have very low resistance when cold.

## FEATURES

Energy saving	Soft start facility	Phase angle or Burst firing
Simple wiring	Standard 80mm fixing	Solid state reliability
Isolated inputs	Rugged and compact	Load status indicator

## INSTALLATION

