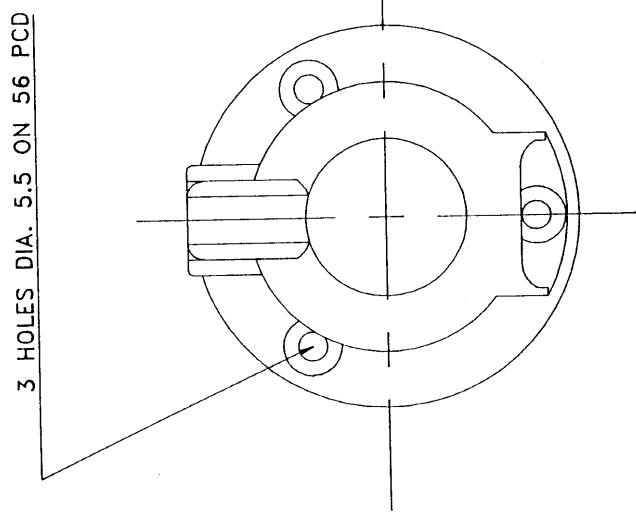
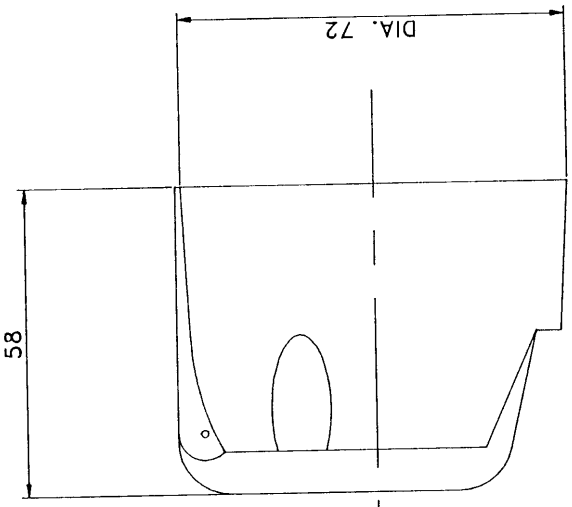


892-324



- PIN CLASSIFICATION
- 1-LEFT INDICATOR
 - 2-REAR FOG LIGHT
 - 3-NEGATIVE
 - 4-RIGHT INDICATOR
 - 5-RIGHT TAIL LIGHT
 - 6-STOP LIGHT
 - 7-LEFT TAIL LIGHT

COMPLIES WITH DIN 72577 AND ISO 1724

MOD No.	STATUS	ISS	DATE
M1201	PRODUCTION RELEASE	A	20-03-97
MATERIAL		FINISH	
PLASTIC			
SPECIFICATION		SPECIFICATION	
TOOL No.		3rd ANGLE PROJECTION DIMENSIONS IN MILLIMETRES DO NOT SCALE	
		DRAWN	R L WELDON
		DATE	14-03-97
		CHECKED	
		TITLE	7 PIN SOCKET-12N (BLACK)
PART No.		100.134	A3
		SCALE	1:1



© VISION ALERT AUTOMOTIVE LIMITED

Osbaldwick Ind. Est. Oufgang Lane Osbaldwick York. YO1 3UX North Yorks.
Telephone : +44(0)1904 415000 Fax : +44(0)1904 430059