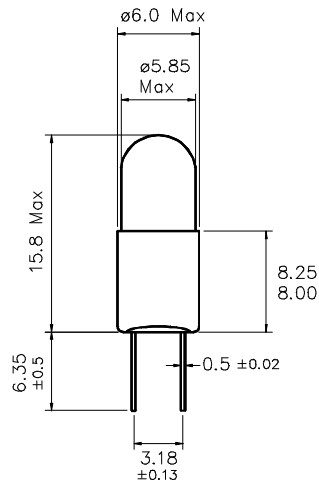


Type	Size	Description	Part No.
Incandescent	T6 (T-1¾)	T-1¾ Bi-Pin Lamp	(see table)



Drawing not to scale
All dimensions in mm

PHOTOMETRY DATA

Farnell Part No.	SLI P/N	Lamp Rating	Test Volts	Current (mA)			Light Output (Lm)			Fil Shape	Life (Hrs)
				Min	Nom	Max	Min	Nom	Max		
329204	7381	6.3V 1.26W	6.3	180	200	220	3.8	5.0	6.2	C-2R	20000
329216	7382	14V 1.12W	14	72	80	88	2.8	3.8	4.8	C-2F	15000
329228	7374	28V 1.12W	28	36	40	44	1.9	2.5	3.1	C-2F	20000
653603	7387	28V 1.12W	28	36	40	44	2.8	3.8	4.8	C-2F	7000
653615	7327	28V 1.12W	28	36	40	44	3.2	4.3	5.4	C-2F	4000

NOTES:

- 1) T1¾ Bi-Pin base, GY3.2 in accordance with IEC 61-1, (BS EN 60061-1), sheet 7004-4-x.
Colour: White, Material Nylon.
- 2) Lamp Marking: rating and trademark to be durably ink stamped on the nylon shell.