

JACK SOCKETS

The Cliff Range of Jack Sockets comprises 2 Models for 1/4" Mono and Stereo applications, and a number of other Models for 2.5mm. and 3.5mm. Plugs (See P.6). The 1/4" S2 Model has various front appearance options:- Plastic Nut, Chrome Plated Hexagonal Nut, or Knurled Ring Nut, which can be provided with a slot for tightening.

Both S2 and S4 Models have Nylon Body and "Niag" Alloy Contacts. Dimensions are according to DIN Norms, to suit the Cliff Range of Plugs. Both S2 and S4 are available in printed Circuit mounting models. There are 5 basic PC versions, A, B, C, D, & E. A number of special versions of S2 are also produced, the most popular ones are shown on P.5.

Rating: Withstand voltage - 2000V. DC. Min.
 Max. voltage - 250V. AC.
 Max. current/power - 5amp or 1000W.
 Nominal contact resistance - 50mΩ.
 Temp. -10° to +70° C.

* NIAG is the registered name for our special Nickel Silver Alloy.

Supplied 'Unassembled' for 1,000 + Qtys. as STD.
 Always specify if Assembled supply is needed.

S2 Mono 1/4"
Stereo 1/4"

Max. body width
 0.812" / 20.6mm.

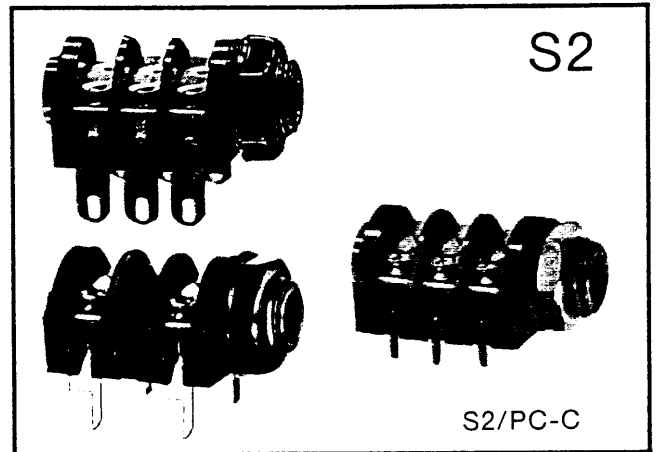
Fixing hole 0.438" dia/11.11mm.

Designed to receive both mono and stereo 1/4" jack plugs, the S2 socket is moulded in nylon with nylon or chrome plated brass fixing nuts. They are available in other colours to order. Special PC mounting versions available. When ordering please state contact arrangement required, with plug inserted, using the following code. B - Break M - Make S - Single N - No contact. Example: S2/BBM black. Three pole socket black 1st. contact-break, 2nd. contact-break, 3rd.- make. Nato No. — Refer to Office. PC mounting details - See Below.

S1 Mono 1/4"

S3 Stereo 1/4"

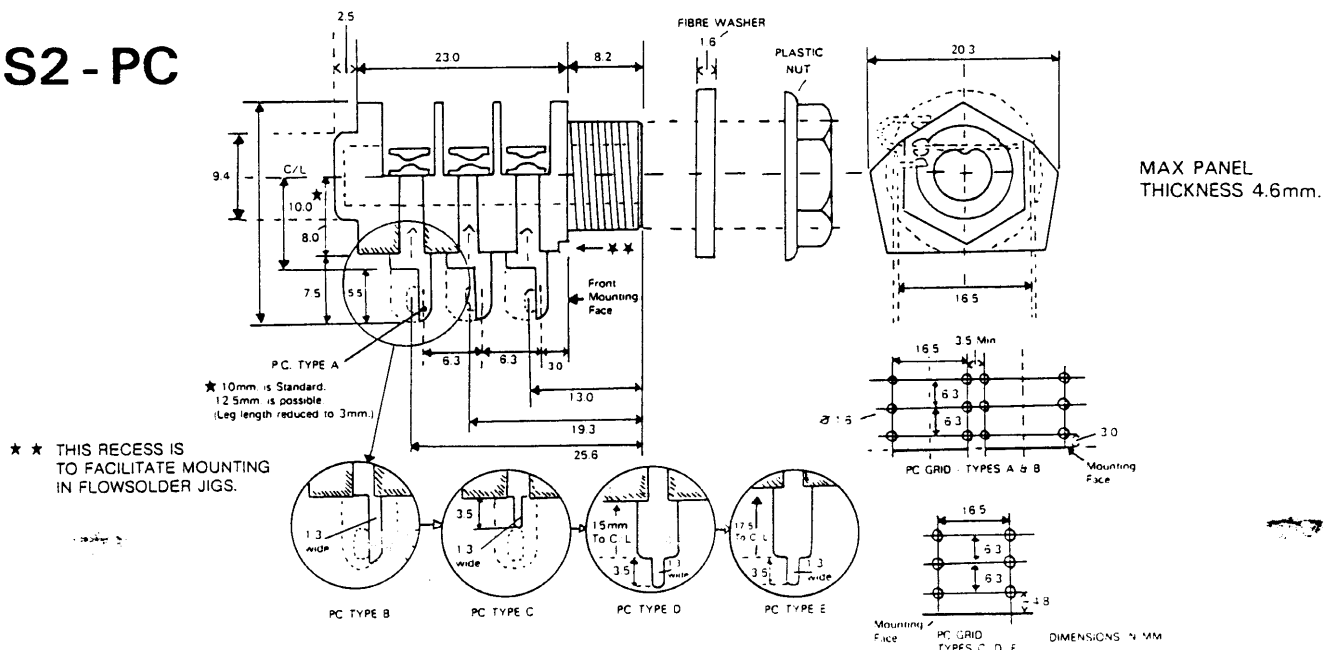
S1 and S3 sockets are now both replaced by new socket type S2.



PRINTED CIRCUIT MOUNTING JACK SOCKETS.

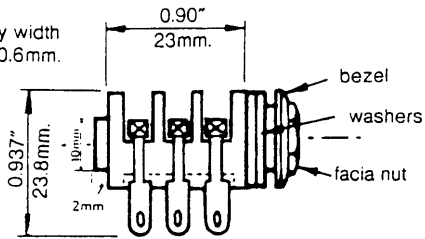
SOCKETS CAN BE SUPPLIED WITH TERMINALS DESIGNED FOR DIRECT MOUNTING INTO PRINTED CIRCUIT BOARDS. ORDER BY ADDING SUFFIX - PC - TO PART NO. THE STANDARD PC VERSION IS TYPE A. IF OTHER VERSION IS REQUIRED SPECIFY BY B-C-D-E. e.g. S2-BBB-BLK/PC/C (For Type C)

S2 - PC



S4 Stereo 1/4"

Max. body width
0.812" / 20.6mm.

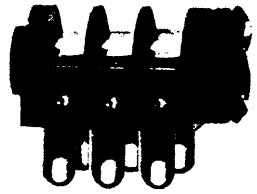


Fixing hole .438" dia. / 11.11mm.

The S4 combines the stereo body of S2 with the front appearance of the S5. Mounting is effected by screwing the chrome facia nut (with plastic bezel) into a threaded plastic bush which protrudes from the body. Coloured bezels may be used. Contacts are NIAG alloy. The back of the socket is closed to prevent access through the socket. Ordering code as for S2. When ordering a mono type specify centre contact as 'N' eg. S4/SNS/BLK.

PC mounting versions — See below.
OPTION S4P/ Front Metal Nut is replaced by a Matt Plastic equivalent.

S4



S4/PC-C

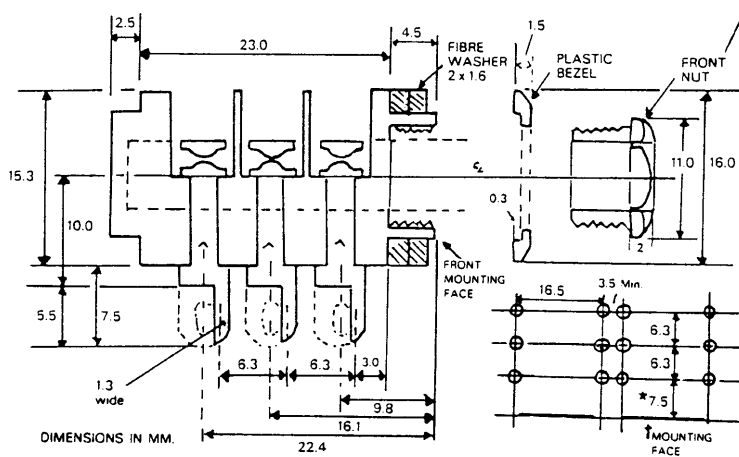
S5

This model is now obsolete and will only be supplied for spare parts use. Designs should be updated to use S4.

PRINTED CIRCUIT MOUNTING

SOCKETS CAN BE SUPPLIED WITH TERMINALS DESIGNED FOR DIRECT MOUNTING INTO PRINTED CIRCUIT BOARDS. ORDER BY ADDING SUFFIX - PC - TO PART NO. THE STANDARD PC VERSION IS TYPE A. IF OTHER VERSION IS REQUIRED SPECIFY BY B-C-D-E. e.g. S4-BBB-BLK/PC/C (For Type C)

S4 - PC



PC VERSIONS B. C. D. E SAME AS FOR S2 (*INCREASES TO 9.3 FOR C. D. E.)

STANDARD S4. CHROME PLATED BRASS.
OPTION S4P. MATT FINISH PLASTIC.

MAX PANEL THICKNESS 4.3mm.

S2 — SPECIAL VERSIONS. (Minimum Quantity 1,000 Pcs./Variant).

