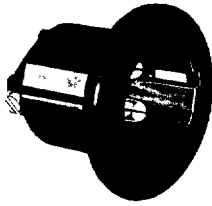


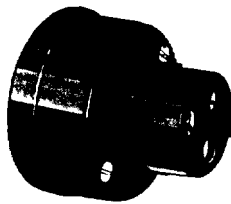
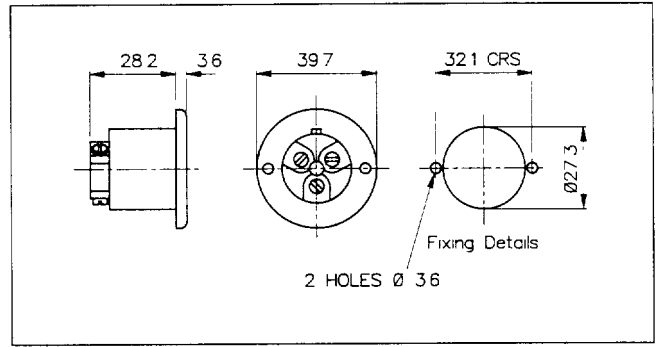


PLUGS AND SOCKETS (2 POLE + E)

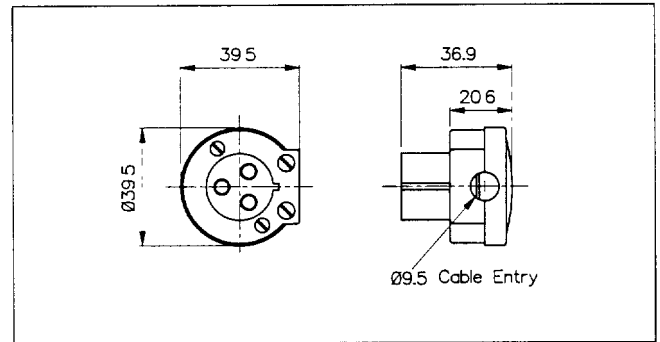
CONNECTORS



SA1861



SA2111



314 - 006
018

ORIG



Data \ List No	SA1861	SA2111	
Terminations:	Screw terminals	Screw terminals	
Max. Rating:	5A. 250V a.c	5A 250V a.c	
Contact Resistance:	<10m Ω	<10m Ω	
Insulation Resistance:	>10 ⁴ M Ω	>10 ⁴ M Ω	
A.C. Breakdown:	Pole-Pole 4.6kV Poles-Panel 9 2kV	Pole-Pole 4.6kV. Poles-Accessible Parts 2kV.	
Operating Temp. Range:	-20°C to +70°C	-20°C to +70°C.	
Mouldings:	Phenolic.	Phenolic.	
Contacts:	Sockets. Brass, Nickel Plated.	Sockets: Brass, Nickel Plated	
Accessories:	PNo 8878 (see page 93)		
Mates With:	SA2111	SA1861	