

SARNA

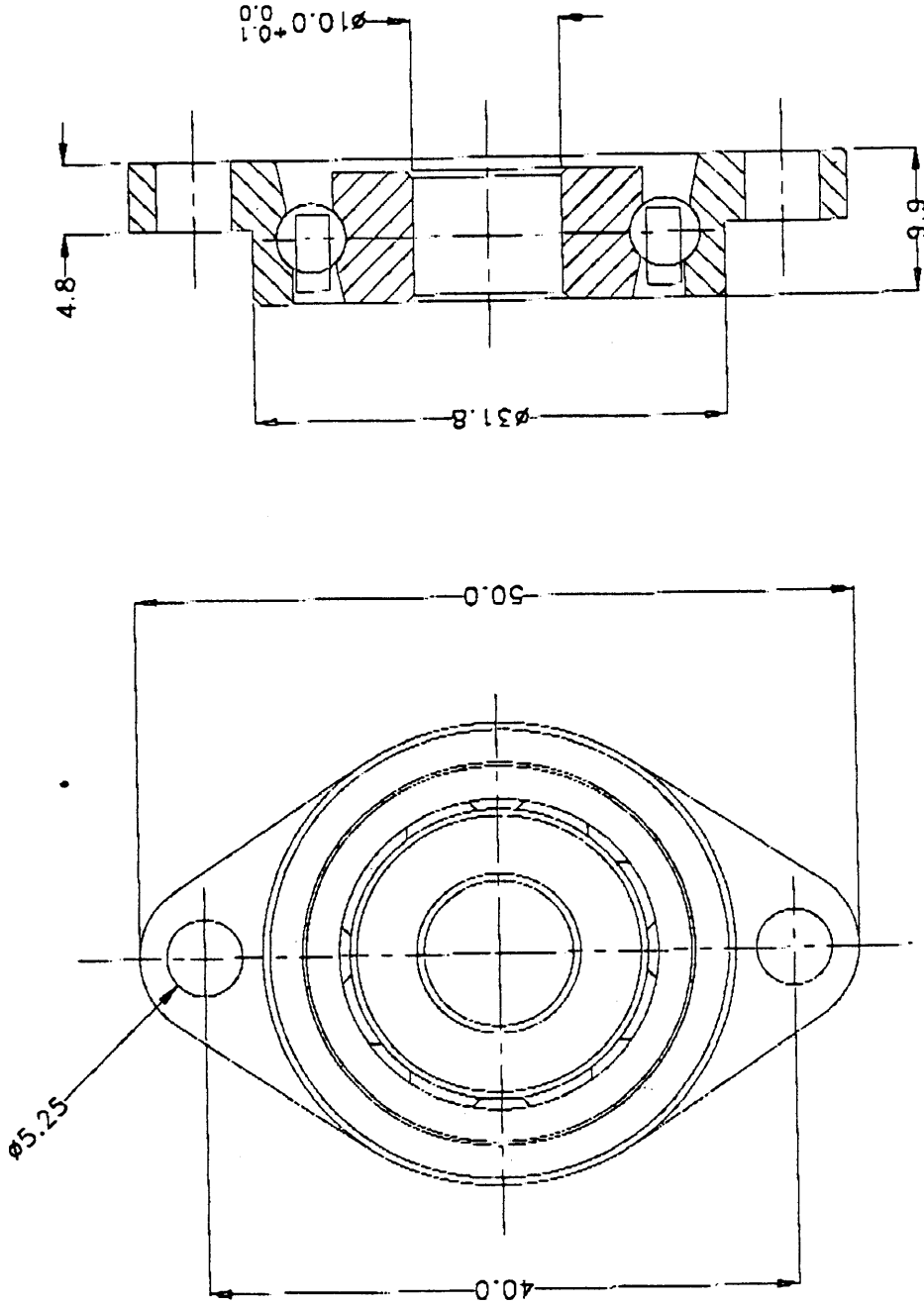
700-2660

20434 3

This drawing contains proprietary information of Samatech BKL Ltd and is supplied for a particular purpose and may not be copied, disclosed or used for any other purpose without the written consent of Samatech BKL Ltd

DRAWING NOT VALID AFTER
16/12/99??

PROD:
QC:



Tolerances in mm	
X.X	±0.25
X.XX	±0.13
X.XXX	±0.050

All dimensions in mm unless otherwise stated

Angular Tolerance: 1'

Samatech BKL Ltd
Waste Lane
Kingsborough
North Yorkshire
YO5 8LF
England

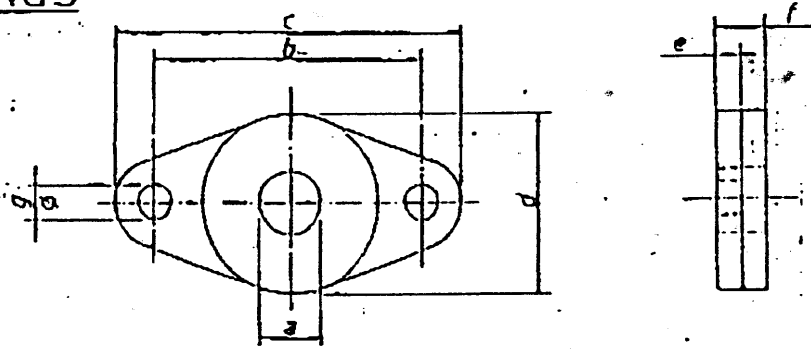


Samatech

©1996

TITLE: FLANGED BRG			
MATERIAL:	ACETAL		
COLOUR:	NATURAL		
BALLS:	8 x 3/16" SS316		
CAGE:	1 x CA6-24-8		
D.C.:	0.05/0.15		
SCALE:	2:1		
REF:	SFTG11A		
PART No:	SFT10/4N/D		
PAGE:	A4		
1 of 1			
ECN	BY	CHK	DATE
A	KS	KS	02.11.96
REDESCRIPTION	DESCRIPTION	ECN	BY
RE	RE		
Drawing Prepared Using AutoCADv12			
CUSTOMER DRG			

FLANGED BEARINGS / HOUSINGS



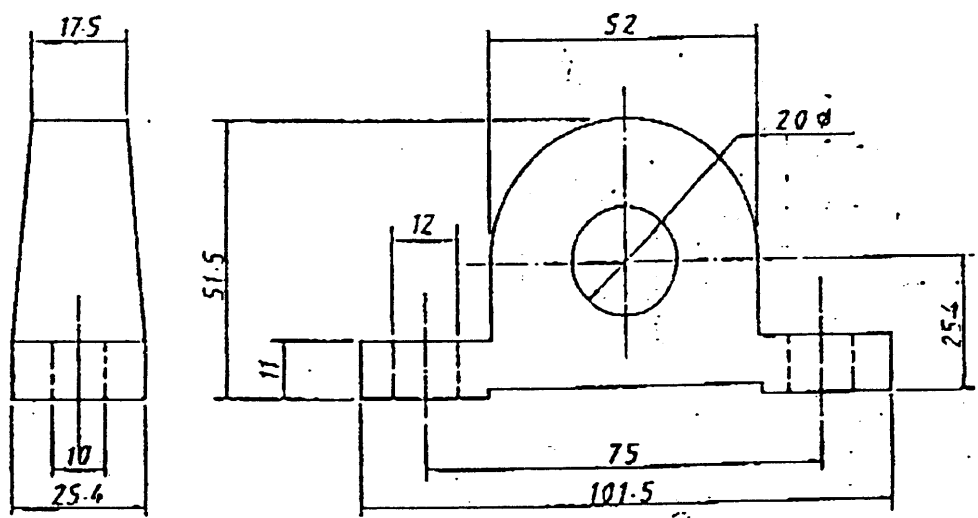
Reference	a	b	c	d	e	f	g
* SFT 10	10	40	51	32	4.76	10	5 *
SFT 12	12	47	63.5	32	4	9	6
SFT 20	20	63	81	42.5	4	10.5	8
SF 20	20	75	100	52	12	26	11
LP 20							

AF 4. DR 2.1

All the above bearings are fitted with ss 316 balls

PILLOW BLOCK

LP 20 ss 316



ROLLER

AF 4 DR 2.1 CS

