

**SERIES 34D**  
Sealed Sub-Miniature Toggle Switches

**FEATURES**

- Save Space and Weight
- SPDT and DPDT Circuitry
- Choice of Actuators, Bushings, and Terminations
- Sealed per IP67

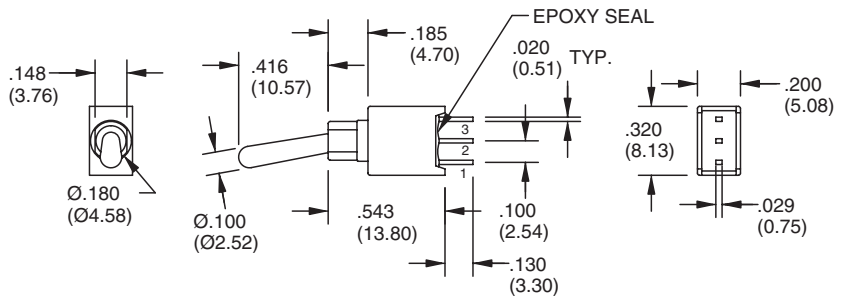


**MODELS** In inches (and millimeters)

**SPDT**

| Model No.   | Switching Position |      |      |
|-------------|--------------------|------|------|
|             | ON                 | NONE | ON   |
| WMSP1       | ON                 | NONE | ON   |
| WMSP2       | ON                 | NONE | (ON) |
| WMSP3       | ON                 | OFF  | ON   |
| WMSP4       | (ON)               | OFF  | (ON) |
| WMSP5       | ON                 | OFF  | (ON) |
| Term. Comm. | 2-3                | OPEN | 2-1  |

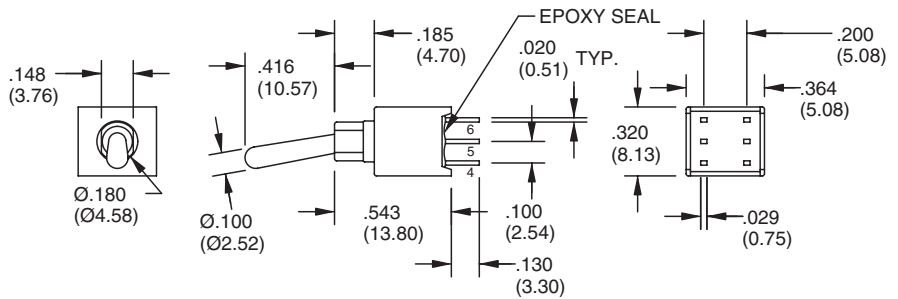
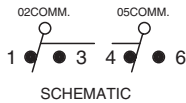
( )=MOMENTARY



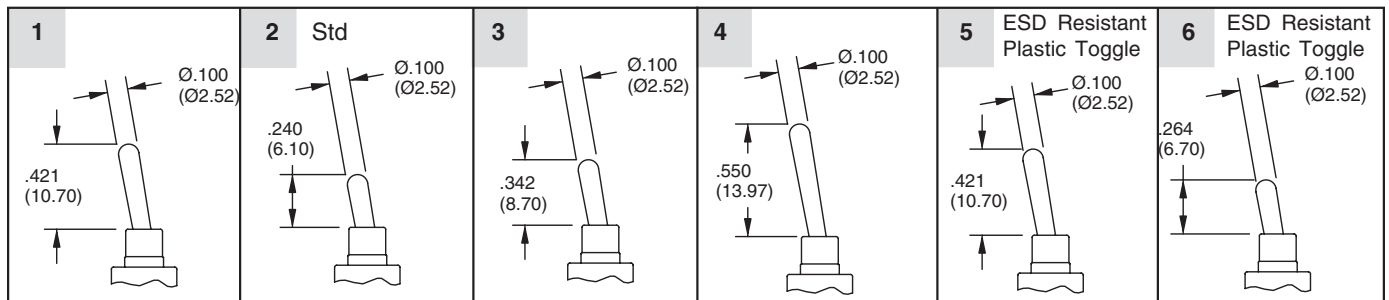
**DPDT**

| Model No.   | Switching Position |      |            |
|-------------|--------------------|------|------------|
|             | ON                 | NONE | ON         |
| WMDP1       | ON                 | NONE | ON         |
| WMDP2       | ON                 | NONE | (ON)       |
| WMDP3       | ON                 | OFF  | ON         |
| WMDP4       | (ON)               | OFF  | (ON)       |
| WMDP5       | ON                 | OFF  | (ON)       |
| Term. Comm. | 2-3<br>5-6         | OPEN | 2-1<br>5-4 |

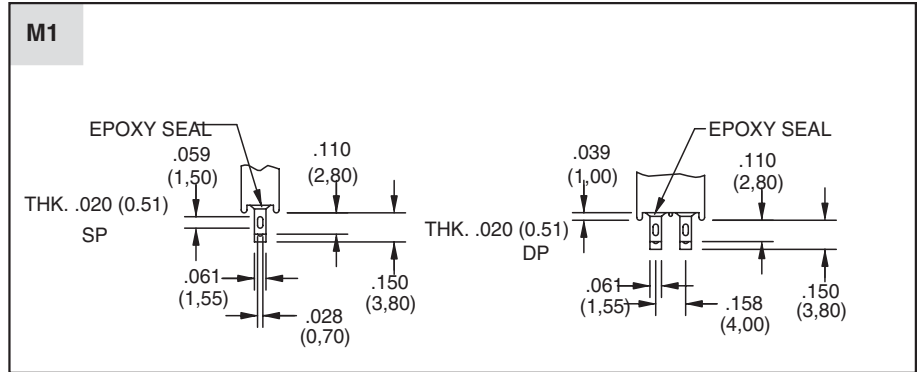
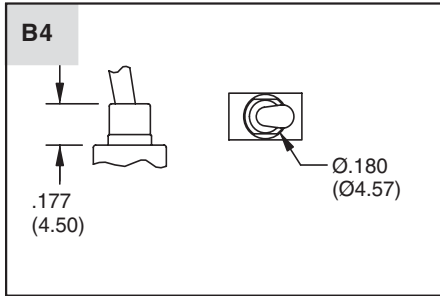
( )=MOMENTARY



**ACTUATOR OPTIONS** In inches (and millimeters)

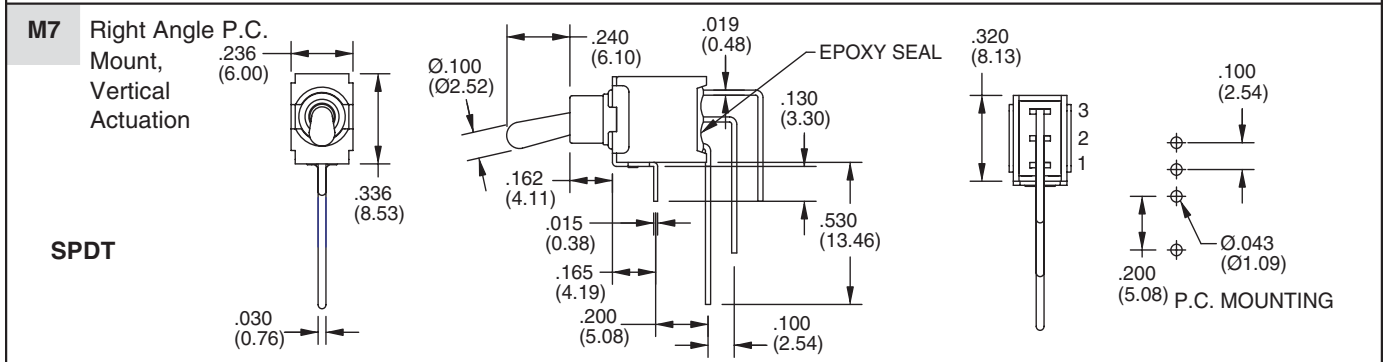
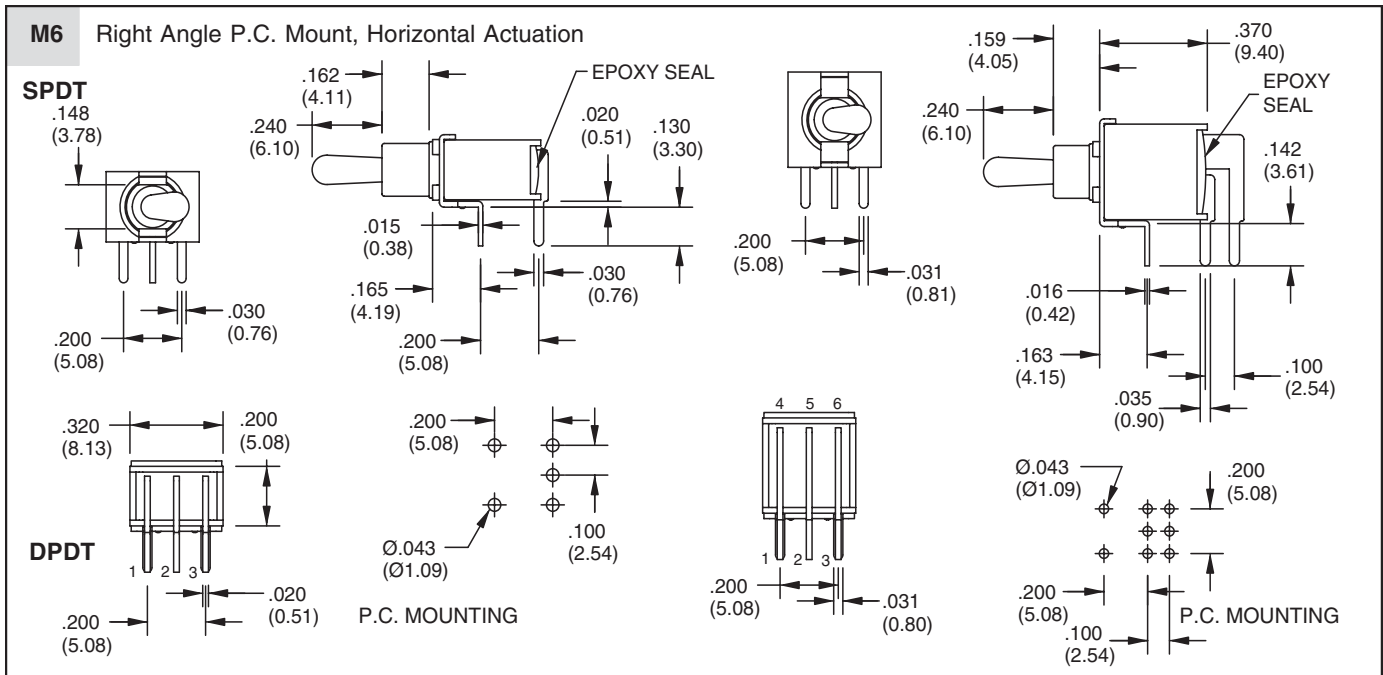
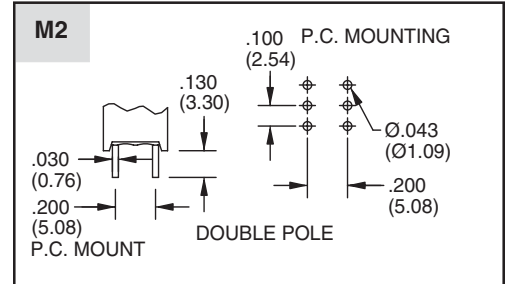
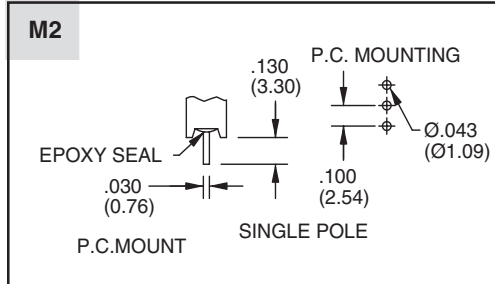


**BUSHING OPTION** In inches (and millimeters)

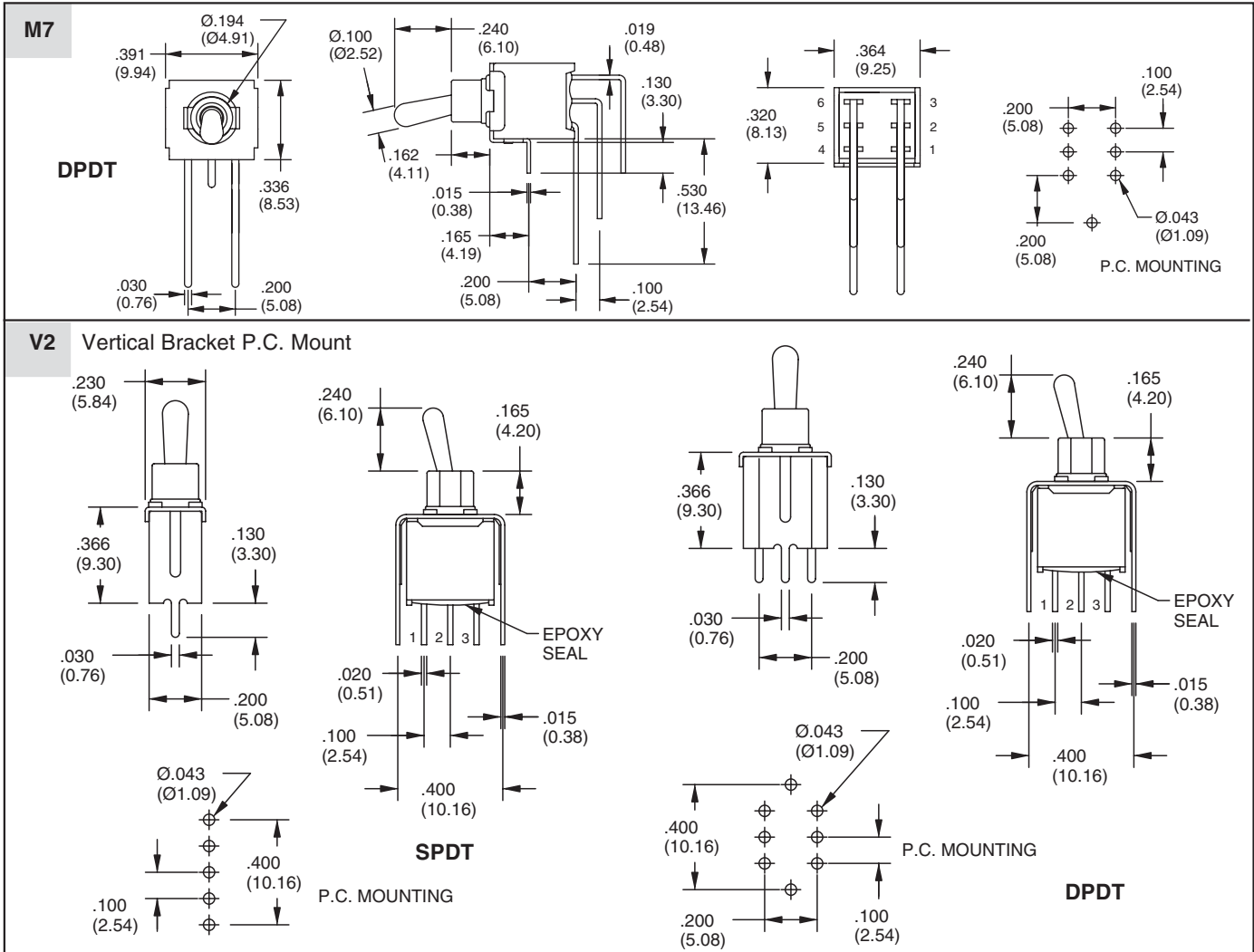


**TERMINATION OPTIONS**

In inches (and millimeters)



**TERMINATION OPTIONS** In inches (and millimeters)



**SPECIFICATIONS**

**RATINGS**

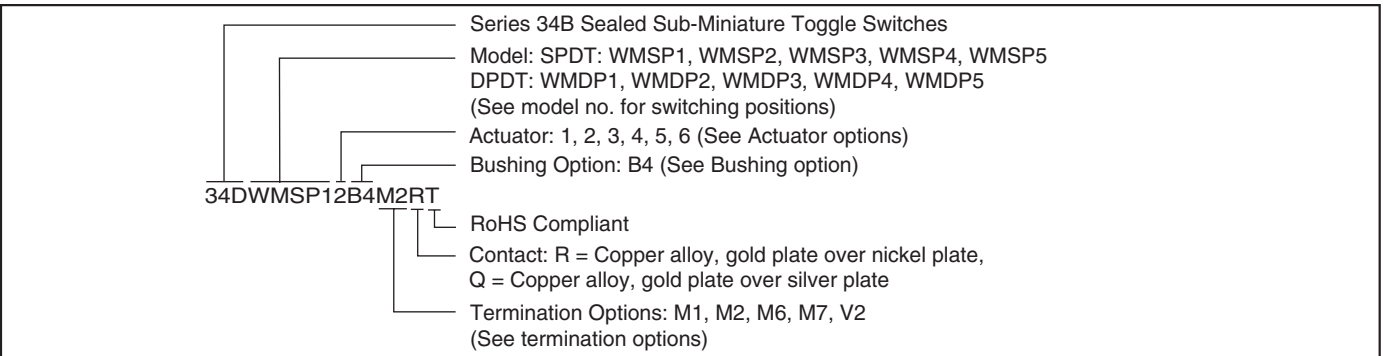
**Contact Rating:** Q option - 3A with resistive load @ 125VAC or 28 VDC; 1.5A with resistive load @ 250 VAC. R option-0.4 VA max @ 20 Vmax (AC or DC)  
**Electrical Life:** 30,000 make-and-break cycles at full load

**Contact Resistance:** 20 milliohms max. initial @ 2-4 VDC, 100 mA  
**Insulation Resistance:** 1,000 megaohms minimum  
**Dielectric Strength:** 1,500 V RMS @ sea level  
**Operating Temperature:** -30°C to 85°C

**MATERIALS**

**Case:** Diallyl phthalate (DAP) (UL94V-0)  
**Toggle Handle:** Brass, chrome plated  
**Bushing:** Brass, nickel plated  
**Housing:** Stainless steel  
**Terminal/Switch Support:** Brass, electroplated  
**Contacts & Terminals:** Copper alloy, gold plate over nickel plate or silver plate  
**Terminal Seal:** Epoxy

**ORDERING INFORMATION**



Available from your local Grayhill Component Distributor. For prices and discounts, contact a local Sales Office, an authorized local Distributor or Grayhill.

Toggle Switches