

# .100" × .100" Wiremount Socket

.050" Pitch Cable, 64 Position (Optional Plastic Strain Relief)

79 Series



- Standard profile plastic strain relief
- Mates with 3M headers, plugs, and pin strips for quick connect/disconnect capability
- Centerbump and military polarization
- Accepts flat cable or discrete wire

Date Modified: February 19, 1999

TS-0094-08  
Sheet 1 of 2

37

---

## Physical

### Insulation

Material: Glass Filled Polyester (PBT)  
Flammability: UL 94V-0  
Color: Gray

### Contact

Material: Copper Alloy  
Plating  
Underplate & U-Slot: 100  $\mu$ " [ 2.54  $\mu$ m ] Nickel — QQ-N-290, Class 2  
Wiping Area: 30  $\mu$ " [ 0.76  $\mu$ m ] Gold — MIL-G-45204, Type II, Grade C

**Wire Accommodation:** 26 & 28 AWG Solid or Stranded

**Marking:** 3M Logo, Part Identification Number and Orientation Triangle

---

## Electrical

**Current Rating:** 1 A  
**Insulation Resistance:**  $> 1 \times 10^9 \Omega$  at 500 Vdc  
**Withstanding Voltage:** 1000 Vrms at Sea Level

---

## Environmental

**Temperature Rating:**  $-55^\circ\text{C}$  to  $+105^\circ\text{C}$

UL File No.: E68080

---

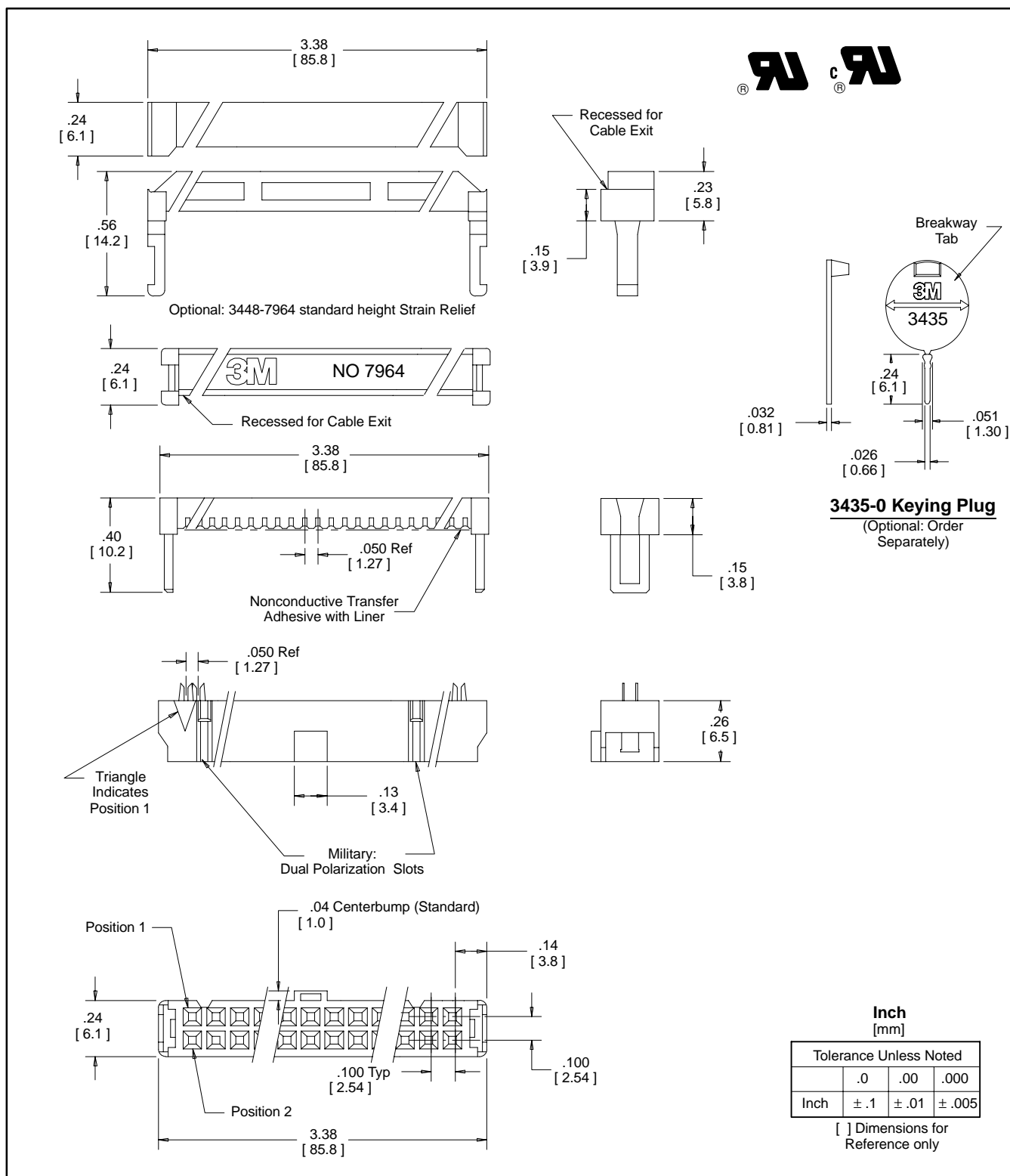
### 3M Interconnect Solutions Division

6801 River Place Blvd.  
Austin, TX 78726-9000

For technical, sales or ordering information call  
**800-225-5373**

# .100" × .100" Wiremount Socket .050" Pitch Cable, 64 Position (Optional Plastic Strain Relief)

79 Series



| Inch [mm]              |     |            |
|------------------------|-----|------------|
| Tolerance Unless Noted |     |            |
|                        | .0  | .000       |
| Inch                   | ±.1 | ±.01 ±.005 |

[ ] Dimensions for Reference only

## Ordering Information

**Socket**  
**7964-6500EC**

**Strain Relief**  
(Order Separately)  
**3448-7964**

TS-0094-08  
Sheet 2 of 2