

## FFKDS/V1 and FFKDS/V2



Conductor connection **vertical** to the p.c.b.  
Pitch 5.08

(IEC)	rigid	flexible	I	U	
[mm <sup>2</sup> ]	solid	stranded	AWG	[A]	[V]

Connection data 0.2-1.5 0.2-1.5 24-16 15 250 \*

\* 125 V is achieved when the terminal blocks are arranged in several rows one directly behind the other.



Description	Color	Type	Order No.	Pcs. Pkt.
<b>Spring terminal block</b> , 5.08 mm pitch, conductor connection <b>vertical</b> to the p.c.b. and <b>opening lever</b>	green	<b>FFKDS/V1-5,08</b>	<b>17 90 31 9</b>	50
<b>Spring terminal block</b> , as above, however, with <b>shortened opening lever</b> for arranging several terminal rows behind one another	green	<b>FFKDS/V2-5,08</b>	<b>17 90 34 8</b>	50
<b>End terminal block</b> , necessary at the end of a terminal row, 7.62 mm wide	green	<b>FFKDSA1/V1-7,62</b>	<b>17 90 49 0</b>	50
<b>End terminal block</b> , as above, however, with shortened opening lever	green	<b>FFKDSA1/V2-7,62</b>	<b>17 90 48 7</b>	50

## Accessories

(1) **Marker card**, with 14 or 12 pcs., 10-section marker strips, white, self-adhesive, for 140 or 120 terminal blocks **SK 5,08/3,8** (see [info](#))

## Technical data

## Dimensions

see description

Pitch	[mm]	5.08
Hole diameter	[mm]	1.3
Pin dimensions	[mm]	0.5 x 1

## Nominal data in accordance with IEC / DIN VDE

Insulation material group	–	I		
Surge voltage category / contamination class	–/–	III / 3	III / 2	II / 2
Rated voltage	[V]	250	320	630
Rated surge voltage	[kV]	4	4	4
Nominal current / cross section	[A]/[mm <sup>2</sup> ]	15 / 1.5		
Maximum load current / cross section	[A]/[mm <sup>2</sup> ]	15 / 1.5		

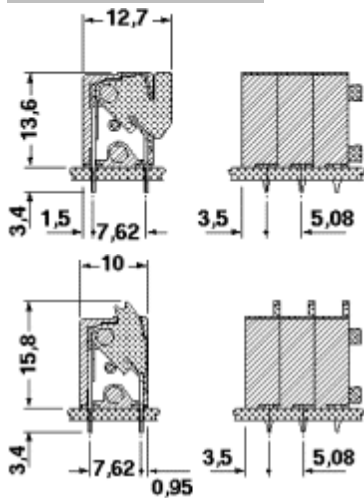
## Connection capacity

solid / stranded / conductor sizes [mm<sup>2</sup>]/[mm<sup>2</sup>]/AWG 0.2 - 1.5 / 0.2 - 1.5 / 24 -16

stranded with ferrules without / with plastic collar	[mm <sup>2</sup> ]	0.25 - 0.75 / 0.25 - 0.75
<b>Stripping length</b>	[mm]	10
<b>Insulation material</b>		PA
Inflammability class acc. to UL 94		V2
Temperature indices RTI / Ti		125 / 100
<b>Approval data (UL and CSA)</b>		
Nominal voltage / current / conductor sizes	UL: [V] / [A] / AWG	300 / 10 / 22-16
	CSA: [V] / [A] / AWG	300 / 10 / 16

Articles printed in bold can be delivered at short notice.  
 Products with black or gray housing available on request.

**Dimensional drawing**



**Drilling diagram**

