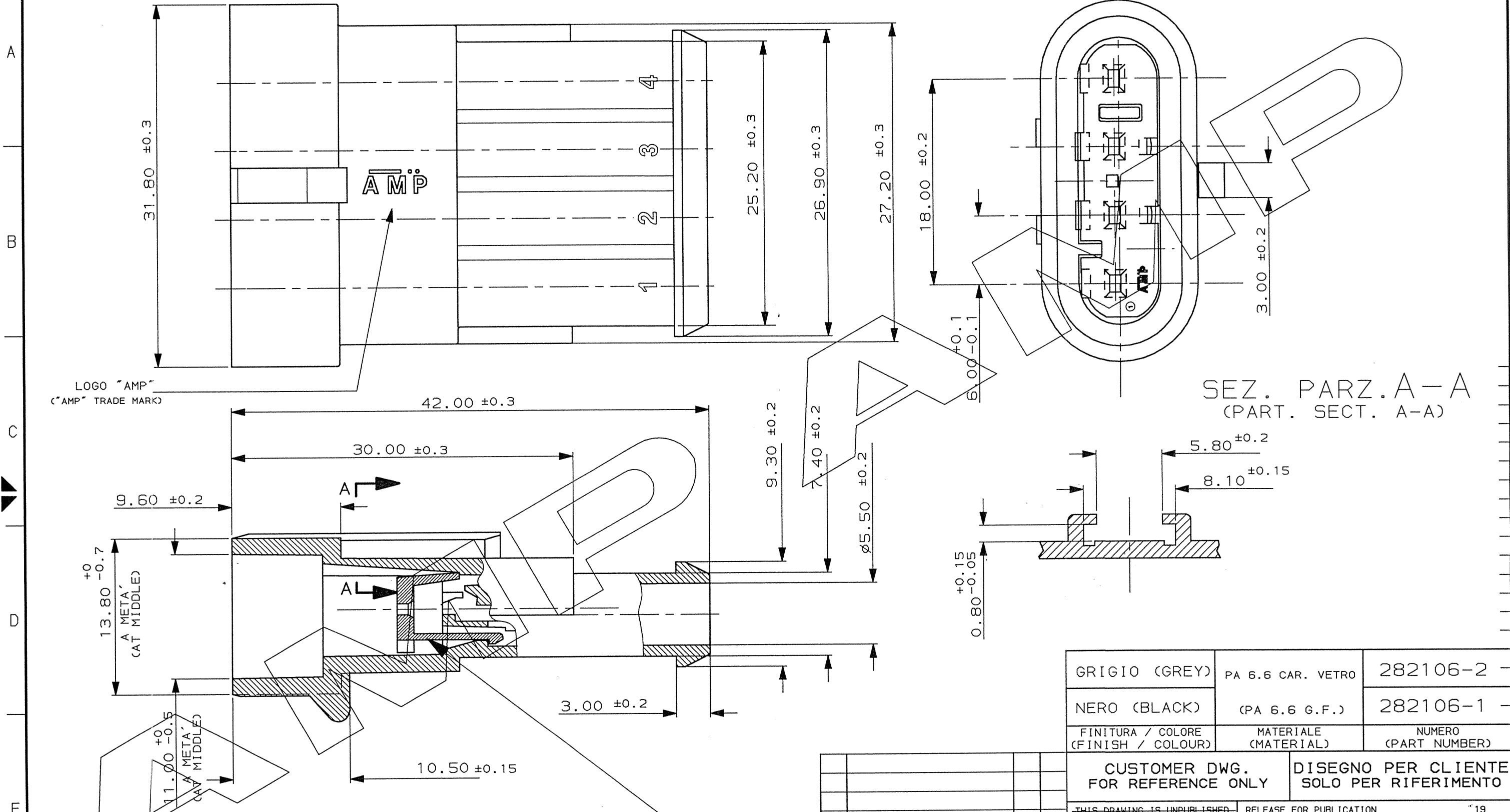


SCALA NON IMPEGNATIVA
(DO NOT SCALE)
DIMENSIONI IN mm
(DIMENSIONS IN mm)

METRIC

PROIEZIONE EUROPEA
(EUROPEAN PROJECTION)



GRIGIO (GREY)	PA 6.6 CAR. VETRO	282106-2
NERO (BLACK)	(PA 6.6 G.F.)	282106-1
FINITURA / COLORE (FINISH / COLOUR)	MATERIALE (MATERIAL)	NUMERO (PART NUMBER)

CUSTOMER DWG. FOR REFERENCE ONLY
DISEGNO PER CLIENTE SOLO PER RIFERIMENTO

THIS DRAWING IS UNPUBLISHED - RELEASE FOR PUBLICATION '19
© COPYRIGHT 19 BY AMP INCORPORATED, HARRISBURG, PA. ALL INTERNATIONAL RIGHT RESERVED. AMP PRODUCTS MAY BE COVERED BY U.S. AND FOREIGN PATENT AND/OR PATENT PENDING

TOLLERANZE: SE NON DIVERSAMENTE SPECIFICATO (TOLERANCES: UNLESS OTHERWISE SPECIFIED)	DIAM. ISOLANTE (INS. DIA. RANGE)	RANGO FILO (WIRE RANGE)	SCALA (SCALE)
± 0.3	-	-	-

AMP AMP ITALIA S.p.A.
Corso F.lli Cervi, 15
COLLEGNO (TORINO)

REV.	REVISIONI	DIS.	DATA
A1	REVISED FOR ET00-0072-98	M.P.	7/78
A	DIM. S 25.2 & 27.2 WERE WERE 25.0 & 28.0 (ECN ET 00 0019-95)	AB	95
5	UP-DATED	C	10/92
4	ADDED PN ..-2	C.B	8-82

DESCRIZIONE (DESCRIPTION) 4 POS TAB ASS'Y
AMP SUPERSEAL 1.5 SERIES CONNECTORS

LOC.	SIZE	NUMERO (DWG NO)	REV.	FOGLIO (SHEET)
ITA	A2	C-282106	A1	11

TRIBUZIONE INT. DIST.)