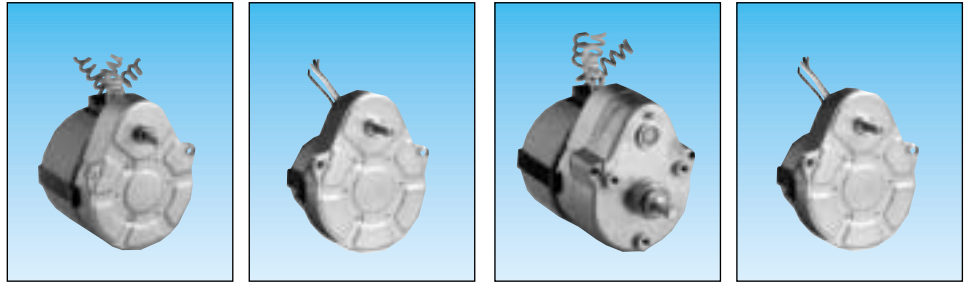


Geared stepper motors



Types	82 924 0	82 924 0	82 914 8	82 914 3	82 929	80 919 8	80 919 3	
Number of phases	2		4		2/4		2/4	
Reduction ratio	Part numbers							
75/16	●	●	●	●	—	—	—	
10	82 924 020	82 924 028	—	—	—	—	—	
12	●	●	●	●	—	—	—	
25/2	●	●	●	●	—	—	—	
75/4	—	—	—	—	●	●	●	
20	82 924 022	82 924 030	—	—	—	—	—	
24	●	●	●	●	—	—	—	
25	●	●	●	●	●	●	●	
30	●	●	●	●	—	—	—	
36	●	●	●	●	—	—	—	
40	●	●	●	●	●	●	●	
48	●	●	●	●	—	—	—	
50	●	●	●	●	●	●	●	
60	●	●	●	●	—	—	—	
125/2	●	●	●	●	—	—	—	
72	●	●	●	●	—	—	—	
80	●	●	●	●	●	●	●	
100	●	●	●	●	—	—	—	
120	●	●	●	●	●	●	●	
125	●	●	●	●	—	—	—	
150	—	—	—	—	—	—	—	
160	—	—	—	—	●	●	●	
200	●	●	●	●	—	—	—	
240	●	●	●	●	—	—	—	
250	●	●	●	●	●	●	●	
300	●	●	●	●	—	—	—	
360	●	●	●	●	—	—	—	
375	●	●	●	●	—	—	—	
500	●	●	—	—	—	—	—	
540	—	—	●	●	●	●	●	
600	●	●	●	●	●	●	●	
720	●	●	●	●	—	—	—	
750	—	—	—	—	●	●	●	
800	—	—	—	—	●	●	●	
1080	●	●	●	●	—	—	—	
1200	●	●	●	●	—	—	—	
1440	●	●	●	●	●	●	●	
1500	—	—	—	—	—	●	●	
1800	●	●	●	●	—	—	—	
2160	●	●	●	●	—	—	—	
2400	●	●	●	●	—	—	—	
2880	●	●	●	●	—	—	—	
3000	●	●	●	●	●	●	●	
3600	●	●	●	●	—	—	—	
4320	●	●	—	—	—	—	—	
4800	—	—	—	—	—	●	●	
6000	●	●	●	●	●	●	●	
7200	●	●	●	●	—	—	—	
9000	—	—	—	—	—	—	—	
10800	●	●	●	●	—	—	—	
12000	●	●	●	●	—	—	—	
14400	●	●	●	●	—	—	—	
21600	—	—	—	—	●	●	●	
27000	—	—	—	—	—	●	●	
36000	●	●	●	●	—	—	—	
43200	●	●	—	—	—	—	—	
54000	●	●	—	—	●	—	●	
72000	●	●	—	—	—	—	—	
108000	●	●	—	—	—	—	—	
144000	●	●	—	—	—	—	—	
180000	●	●	—	—	●	●	●	
216000	●	●	—	—	—	—	—	
432000	●	●	—	—	—	—	—	
864000	●	●	—	—	—	—	—	
1036800	●	●	—	—	—	—	—	

Options : With catalogue products non stocked (see dimensions)							
Output shaft	Ø 4 mm 79 200 967	—	—	—	—	—	—
	Ø 4 mm 79 200 779	—	—	—	—	—	—
	Ø 6 mm 70 999 421 with flat	—	—	—	●	●	●

Other information

Other versions are possible to special order in reasonable quantities :

- other reduction ratios
- special shafts
- different exit angle for leads
- special grease

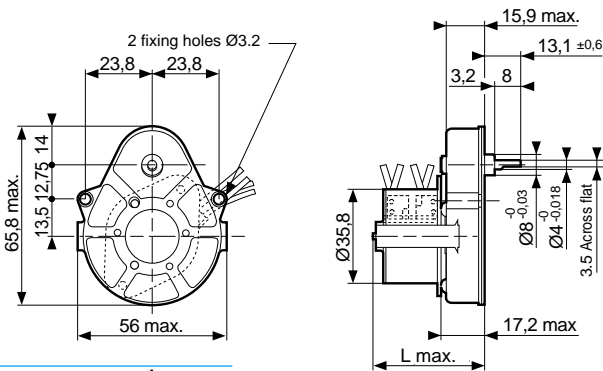
- mounting by M3 tapped holes
- motor screw-assembled not clip jointed
- available with other gearboxes in the Crouzet range
- available with 82 930 basic motors (82 934 0 and 82 939 0)

General characteristics

Types		82 924 0	82 914 8	82 914 3	82 929 0	82 919 8	82 919 3
Stepper motor / Number of phases		82 920 001/2	82 910 803	82 910 301	82 920 001/2	82 910 803	82 910 301
		82 920 012/4	82 910 804	82 910 306	82 920 012/4	82 910	82 910 008/4
Gearbox		81 021	81 021	81 021	81 033	81 033	81 033
Maximum permitted torque on gearbox for continuous rating	Nm	0,5	0,5	0,5	2	2	2
Axial load static	daN	1	1	1	1	1	1
Radial load static	daN	8	8	8	10	10	10
Absorbed power	W	7,5	5	5	7,5	5	5
Coil temperature	°C	120	120	120	120	120	120
Weight	g	140	140	140	260	140	230
Lead length (approx)	mm	250	250	250	250	250	250
Protection		IP 40	IP 40	IP 40	IP 40	IP 40	IP 40

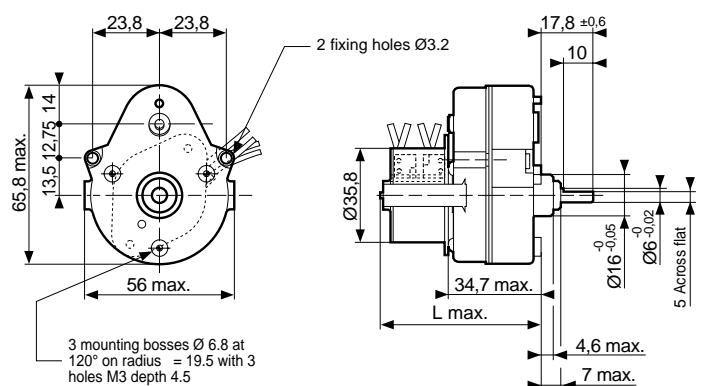
Dimensions

82 914 3 - 82 914 8



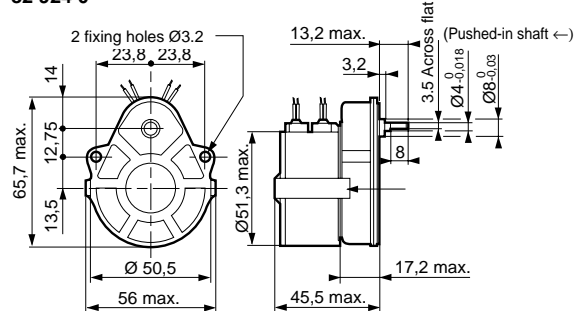
	L max.
82 914 3	39,5
82 914 8	42,7

82 919 3 - 82 919 8

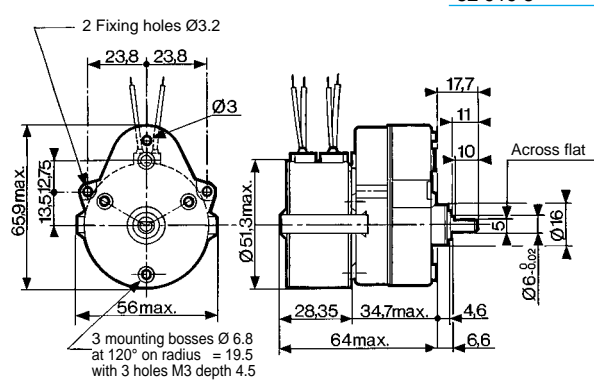


	L max.
82 919 3	58,5
82 919 8	60,2

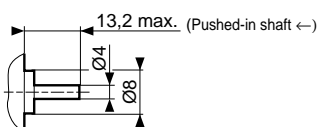
82 924 0



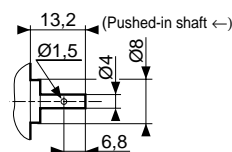
82 929 0



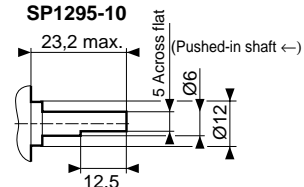
Optional shafts for 81 021 79 200 967



79 200 779



70 999 421 SP1295-10



To order, specify :

Standard products

3 Part number

Example : Geared hybrid stepper motor 82 924 020

Standard products,
non stocked

1 Type **2** Number of phases **3** Reduction ratio **4** Option

Example : Geared hybrid stepper motor 82 924 0 - 2 phases - Ratios 720