

658-613



**1.27mm (.050") Pitch
SCSI+
Unshielded Plug**

70498

**For .025" Ribbon Cable,
All Plastic**

FEATURES AND SPECIFICATIONS

Features and Benefits

- Unique 2-piece strain relief provides true 2-sided strain relief
- Available as kit, with or without strain relief
- Conforms to SCSI requirements
- Contact factory for other circuit sizes available
- Contact factory regarding termination equipment
- Optional dust cover available (68 circuit only), see page Q-45

Reference Information

Product Specification: PSX79058
 Tooling Information: See page Q-55
 UL File No.: E29179
 CSA File No.: LR19980A-281
 Mates With: 70491 and 79059
 Designed In: Inches

Electrical

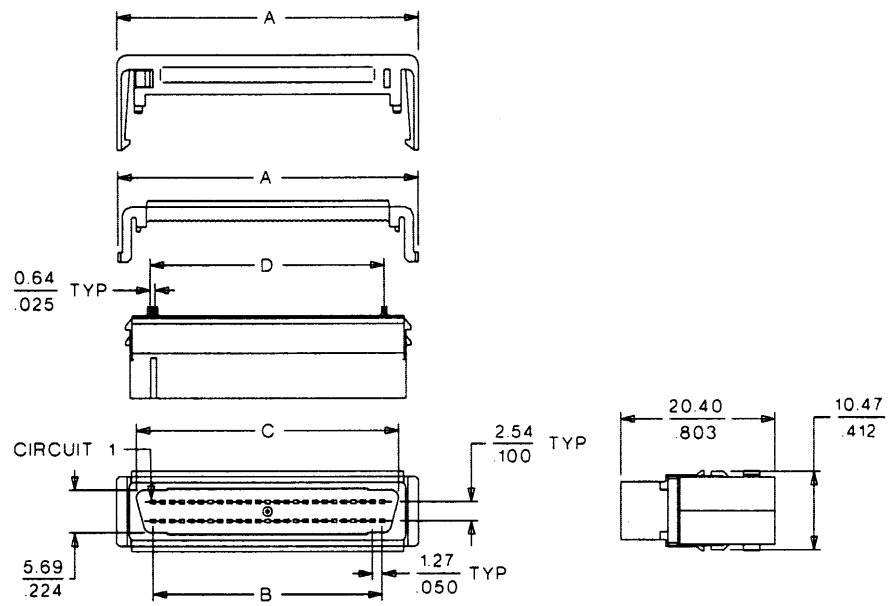
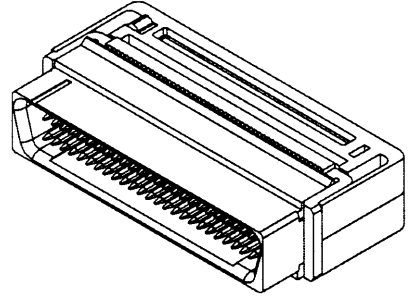
Voltage: 30V
 Current: 1.0A
 Contact Resistance: 25mΩ max.
 Dielectric Withstanding Voltage: 500V AC
 Insulation Resistance: 1000 MΩ min.

Mechanical

Wire Pull-Out Force: 30 lb max.
 Mating Force: 5.3 oz max. per circuit
 Unmating Force: 1.0 oz min. per circuit
 Normal Force: 100g

Physical

Housing: Black glass-filled polyester, UL 94V-0
 Contact: Phosphor Bronze
 Plating: 30μ" Gold in contact area, 78μ" Tin/Lead on solder tails or IDT area, all over 50μ" Nickel overall
 Temperature: -55 to +105°C



ORDERING INFORMATION AND DIMENSIONS

Circuits	Order No.		Description	Dimension			
	With Strain Relief	Without Strain Relief		A	B	C	D
50	70498-3050	70498-4050	Plug assembly and upper housings	40.05 (1.577)	30.48 (1.200)	34.84 (1.372)	31.12 (1.225)
68	70498-3068	70498-4068	Plug assembly and upper housings	51.49 (2.027)	41.91 (1.650)	46.28 (1.822)	42.54 (1.675)

Note: Shielded versions of this product are available, contact factory