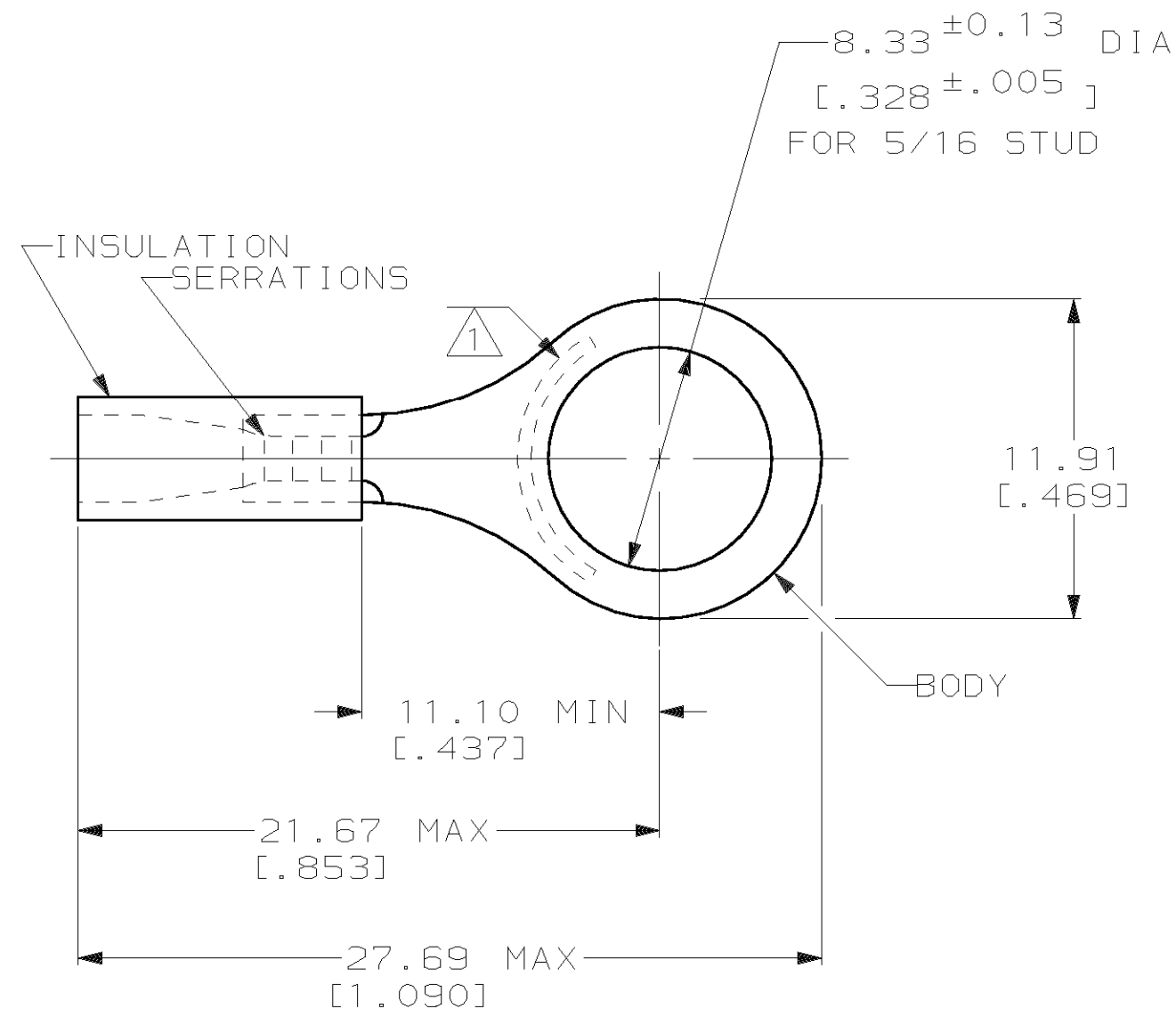


THIS DRAWING IS UNPUBLISHED. RELEASED FOR PUBLICATION ,19 .
 © COPYRIGHT 19 BY AMP INCORPORATED. ALL INTERNATIONAL RIGHTS RESERVED.

LOC	DIST	P	F	REVISIONS				
G	14			ZONE	LTR	DESCRIPTION	DATE	APPD
					N	REV PER 0G3A-0013-01	20FEB01	SR TM

AMP WIRE RANGE	UL Listed	SR LR7189 Certified
22-16 AWG SOLID OR STRANDED	22-16 AWG SOLID OR STRANDED	22-16 AWG SOLID OR STRANDED



- ① STAMP AMP 22-18* APPROX AS SHOWN
22-16 TERMINALS ARE STAMPED 22-18 IN
ACCORDANCE WITH MILITARY SPEC MIL-T-7928
COMMERCIAL WIRE RANGE IS 22-16
- 2 WIRE INSULATION DIA: 2.67-3.56 [.105-.140]
- 3 TONGUE MATERIAL THK: 0.79±0.05 [.031±.002]
- ④ PVC COLOR: RED
- ⑤ PVC COLOR: BLACK

OBSOLETE	QUANTITY	PACKAGE TYPE	PART NO
	25	LOOSE PC, BAG	④ 8-34151-5
	100	LOOSE PC, BOX	④ 8-34151-1
	5000	ON TAPE, REEL	⑤ 2-34151-3
	5000	ON TAPE, REEL	④ 2-34151-1
	1000	LOOSE PIECE	④ 34151

AMP INCORPORATED CUSTOMER SERVICE SYSTEMS		MAX RECOMMENDED OPERATING TEMPERATURE: 90°C [194°F]	DO NOT SCALE PRINT. UNLESS SPECIFIED DIMENSIONS IN mm [INCHES] TOLERANCES ON: 2 PLC DEC ± 0.20[.008] 3 PLC DEC ± - ANGLES ± -	DR 08/06/92 DK SCHRUM CHK 11/10/92 RE HERSEY APPD 11/10/92 ML ELLIS APPD 11/10/92 M BARNABA PRODUCT SPEC UL 486A APPLICATION SPEC - WEIGHT -	AMP AMP Incorporated Harrisburg, PA 17105-3608 NAME TERMINAL, RING TONGUE, PLASTI-GRIP WIRE SIZE, 22-16 AWG SIZE B CAGE CODE 00779 DRAWING NO C-34151 SCALE 4:1 SHEET 1 OF 1
FOR ADDITIONAL PRODUCT INFORMATION OR COPIES OF DRAWINGS AND TECHNICAL DOCUMENTS	PRODUCT INFORMATION CENTER 1-800-522-6752	VOLTAGE RATING: 600V MAX 1000V (FIXTURE OR SIGNS)	MATERIAL COPPER PER ASTM B-152 SEE TABLE		
FOR APPLICATION TOOLING INFORMATION	TOOLING ASSISTANCE CENTER 1-800-722-1111	CIRCULAR MIL AREA: 0.26-1.65mm ² [509-3, 260]	FINISH TIN PLATE PER MIL-T-10727		
FOR ORDER ENTRY	1-800-526-5142	THIS DRAWING IS A CONTROLLED DOCUMENT FOR AMP INCORPORATED. IT IS SUBJECT TO CHANGE AND THE CONTROLLING ENGINEERING ORGANIZATION SHOULD BE CONTACTED FOR THE LATEST REVISION.			