

607-587

# 18000 SERIES

## SNAP-ACTION MOMENTARY PUSHBUTTON SWITCHES

### Overview



D

SERIES

Number of poles

3 Single pole  
4 Double pole

Terminals

Blank Solder lugs or straight PC depending on model  
W Right angle, horizontal mounting  
WW Right angle, vertical mounting  
Y Bracket mounting

Terminals and bushing

2 Straight PC or right angle terminals with plain bushing  
5 Solder lug terminals with Ø 6,35 (1/4) threaded bushing.  
7 Solder lug terminals with Ø 6,35 (1/4) flatted bushing.  
8 Solder lug terminals, snap-in mounting  
9 Straight PC terminals with Ø 6,35 (1/4) flatted bushing.

Electrical function

5 ON - MOM

**ABOUT THIS SERIES**

- On the following pages, you will find successively :
- specifications
  - model structure of switches
  - options in the same order as in above chart

**Dimensions** : first dimensions are in mm while inches are shown as bracketted numbers.



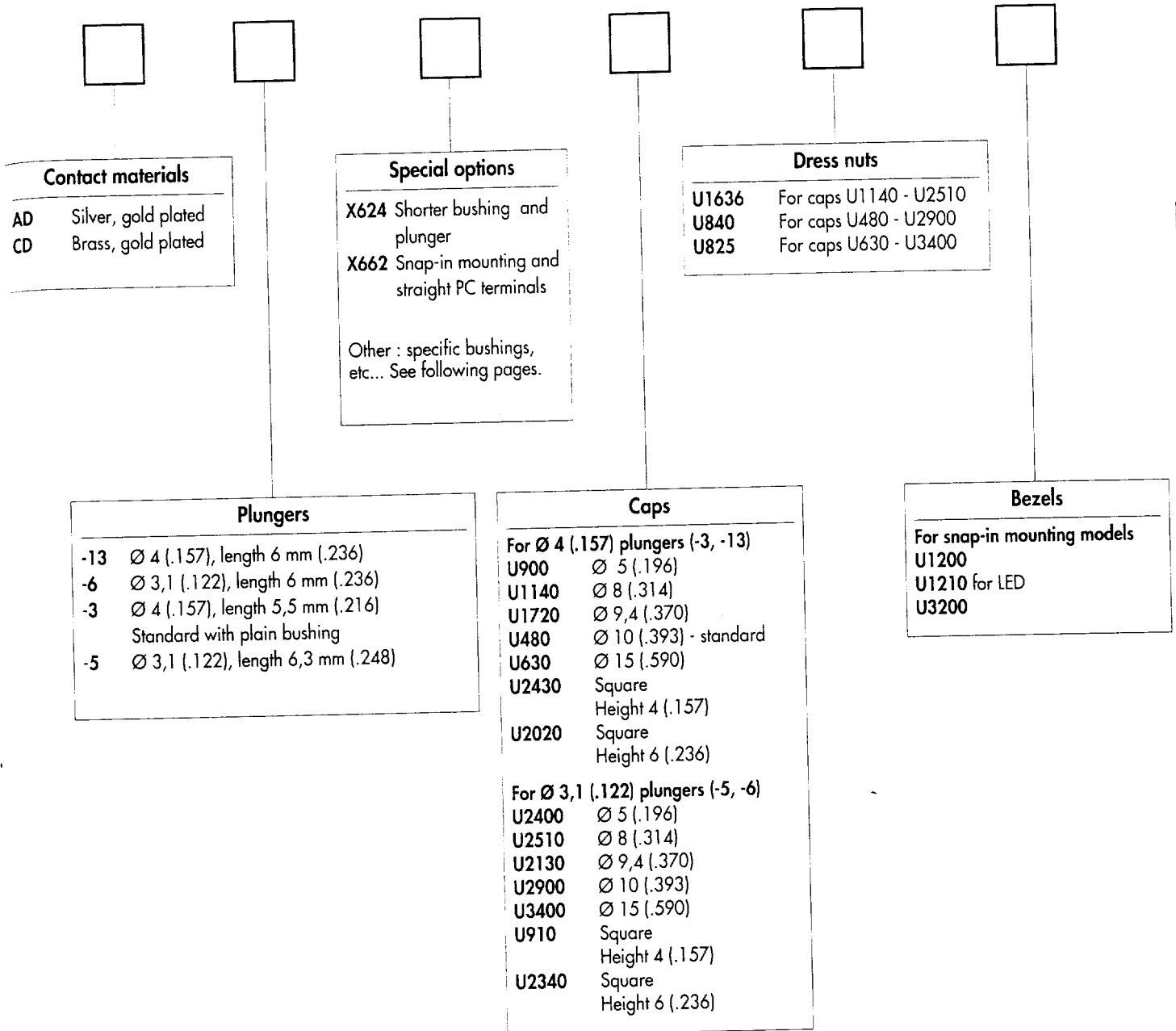
**NOTICE** : please note that not all combinations of above numbers are available. Refer to the following pages for further information.

# 18000 SERIES

## SNAP-ACTION MOMENTARY PUSHBUTTON SWITCHES

### Overview

OPTIONS



**Sealing boots** are available to protect the switches against dust and water. They are presented in section G.



**Mounting accessories** : standard hardware supplied with all models with Ø 6,35 (1/4) threaded bushing :  
2 hex nuts 8 mm (.314) across flats, 1 locking ring and 1 lockwasher.  
Standard and special hardware available are presented in section G.



**Packaging unit** : 25 pieces for W, WW double pole and 18800 models  
50 pieces for other models.

# 18000 SERIES

## SNAP-ACTION MOMENTARY PUSHBUTTON SWITCHES

### Specifications

#### ELECTRICAL SPECIFICATIONS

- Max. current/voltage rating with resistive load :
  - gold plated brass contacts : 100mA - 30VDC
  - gold plated silver contacts : 1A 120VAC, 1A 30VDC
- Initial contact resistance : 50 mΩ max.
- Insulation resistance : 1.000 MΩ min.
- Dielectric strength : 1.000 Vrms 50 Hz min.
- Electrical life : 60.000 cycles at full load

D

#### MATERIALS

- Case : diallylphthalate (DAP)
- Actuator : polyamide, glass filled
- Bushing : brass, nickel plated
- Housing : stainless steel
- Bracket : tin plated steel
- Contacts
  - AD : silver, gold plated
  - CD : brass, gold plated
- Terminals seal : epoxy

#### GENERAL SPECIFICATIONS

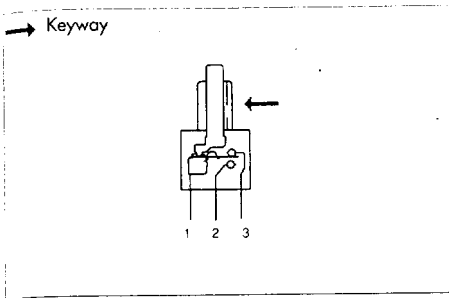
- Pre-travel : 0,25 mm (.009) - Over travel : 0,25 mm (.009)
- Total travel : 0,5 mm (.019)
- Torque : 1,25 Nm (.922 Ft.lb) max. applied to nut
- Operating temperature : -30°C to +65°C

# 18000 SERIES

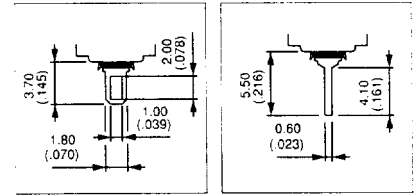
## SNAP-ACTION MOMENTARY PUSHBUTTON SWITCHES

Threaded bushing  $\varnothing 6,35$  (1/4) : 18500 - 18700 - 18200

MODEL  
STRUCTURE



- Solder lug or straight PC terminals
- Epoxy sealed terminals standard



MODEL  
STRUCTURE



Shown with standard plunger (-13)

### Solder lug terminals : 18500

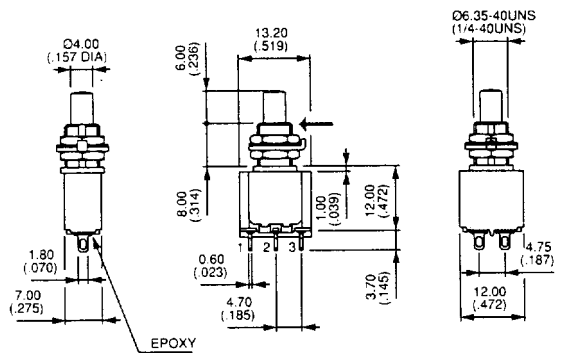
Keyway



Single pole  
18535



Double pole  
18545



### Flatted bushing - solder lug terminals : 18700

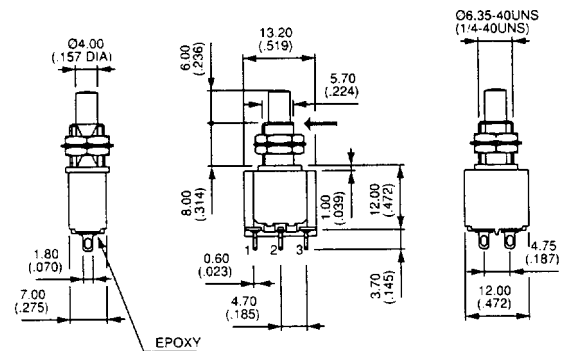
Flat



Single pole  
18735



Double pole  
18745



### Straight PC terminals : 18200

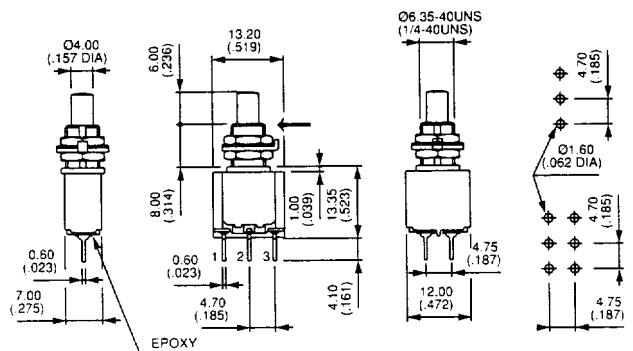
Keyway



Single pole  
18235



Double pole  
18245



# 18000 SERIES

## SNAP-ACTION MOMENTARY PUSHBUTTON SWITCHES

Threaded bushing  $\varnothing 6,35$  (1/4) : 18900 - Snap-in mounting : 18800

MODEL  
STRUCTURE

### Flatted bushing - straight PC terminals : 18900

→ Flat



Single pole  
18935

Double pole  
18945



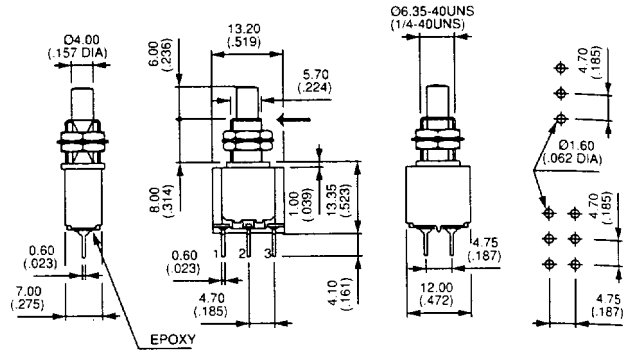
ON



MOM

ON

MOM



D

### Snap-in mounting - solder lug terminals : 18800

Shown with cap U910



Single pole  
18835

Double pole  
18845



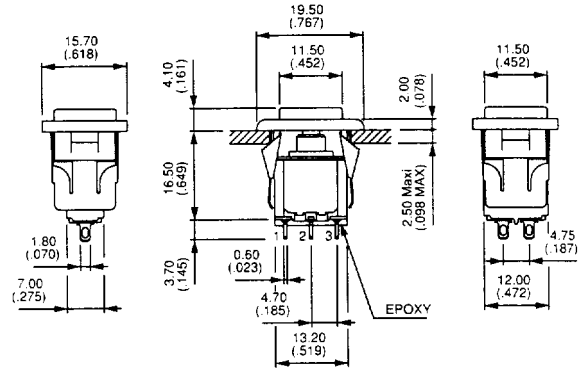
ON



MOM

ON

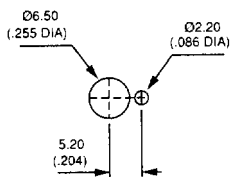
MOM



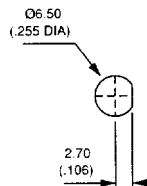
Available with straight PC terminals : see X662 under "Special options".

### PANEL CUT-OUT

18500 - 18200

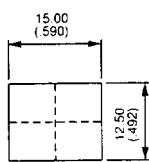


18700 - 18900

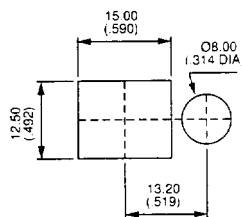


### PANEL CUT-OUT

18800



With bezels U1200 or U3200



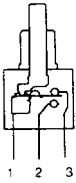
With bezel U1210 for LED

# 18000 SERIES

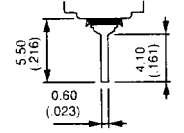
## SNAP-ACTION MOMENTARY PUSHBUTTON SWITCHES

Plain bushing : 18200Y - 18200W - 18200WW

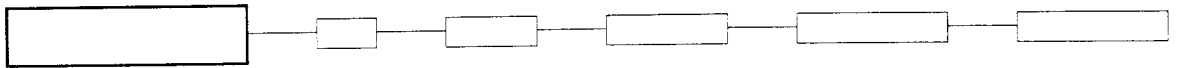
MODEL  
STRUCTURE



- Straight PC or right angle terminals
- Epoxy sealed terminals standard



MODEL  
STRUCTURE

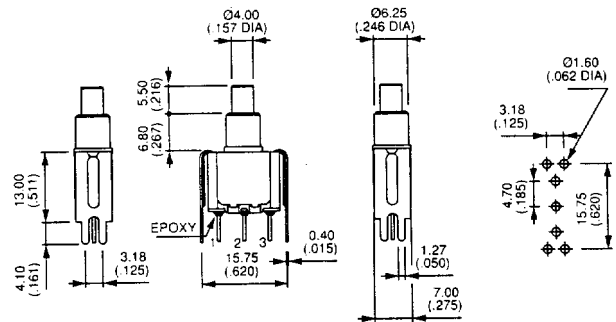


Shown with standard plunger (-3)

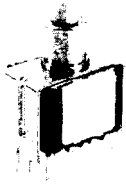
### Straight PC terminals - bracket mounting - single pole 18230Y



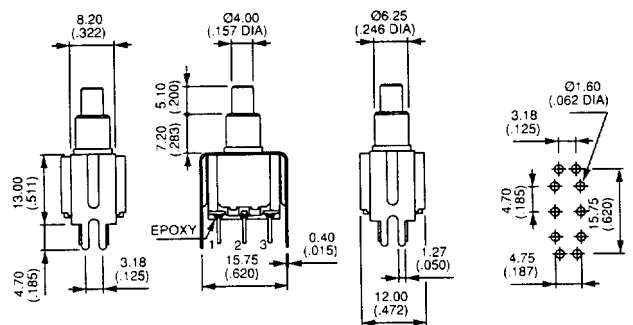
18235Y



### Straight PC terminals - bracket mounting - double pole 18240Y



18245Y



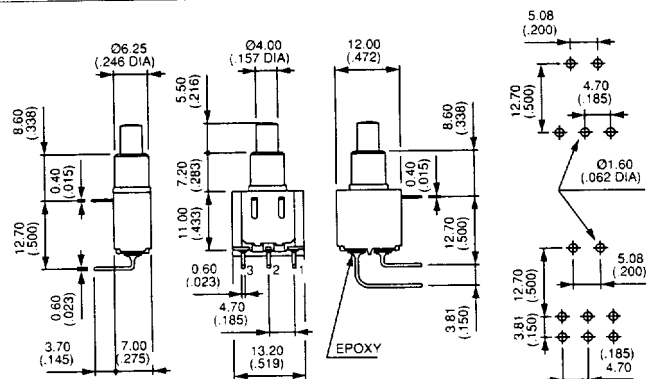
### Right angle terminals - horizontal : 18200W



Single pole  
18235W



Double pole  
18245W

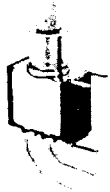


# 18000 SERIES

## SNAP-ACTION MOMENTARY PUSHBUTTON SWITCHES

OPTIONS

### Right angle terminals - vertical : 18200WW



Single pole  
18235WW

Double pole  
18245WW



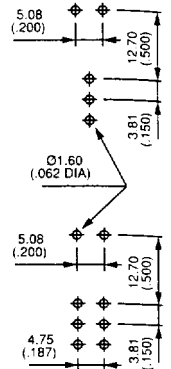
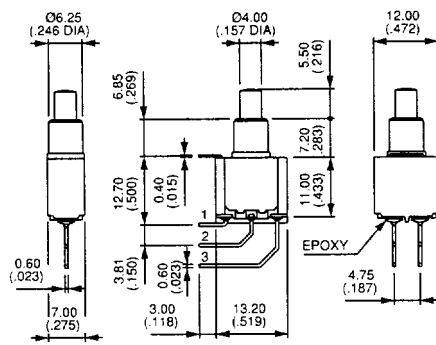
ON



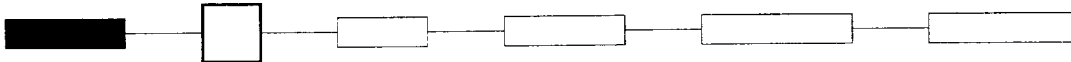
MOM

ON

MOM

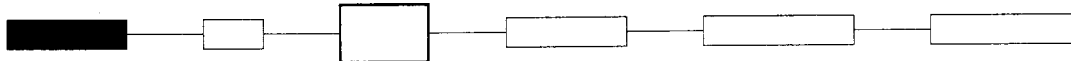


### CONTACT MATERIALS

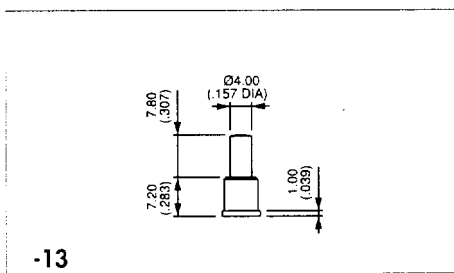


AD Silver, gold plated  
CD Brass, gold plated

### PLUNGERS

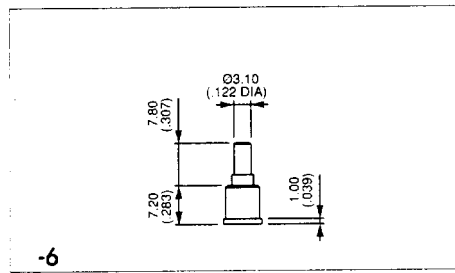


Dash compulsory before plunger code.



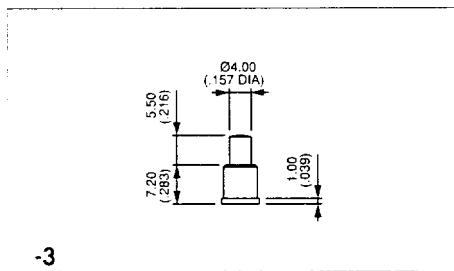
-13

Ø 4 (.157)



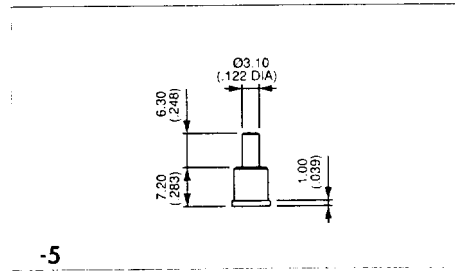
-6

Ø 3,1 (.122)



-3

Ø 4 (.157) - standard with plain bushing



-5

Ø 3,1 (.122)



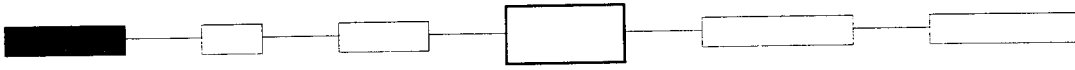
**PLUNGER LENGTH**  
On threaded bushing models,  
plunger length will be reduced by  
1,80 (.070).

# 18000 SERIES

## SNAP-ACTION MOMENTARY PUSHBUTTON SWITCHES

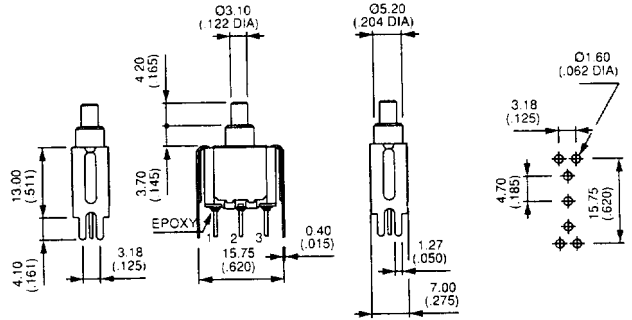


### SPECIAL OPTIONS

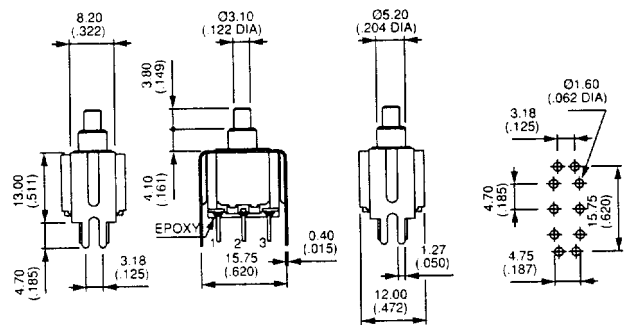


**X624** Straight PC terminals - bracket mounting - with shorter bushing and plunger

Single pole  
18235Y -2X624



Double pole  
18245Y -2X624

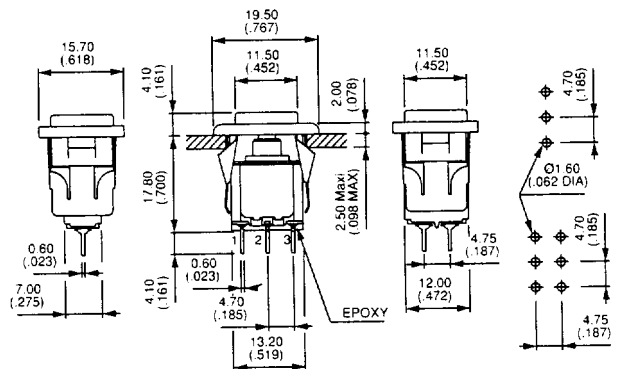


**X662** Snap-in mounting - straight PC terminals

Single pole  
18835 X662



Double pole  
18845 X662





# 18000 SERIES

## SNAP-ACTION MOMENTARY PUSHBUTTON SWITCHES

OPTIONS  
● ● ●

### SPECIAL OPTIONS (continued)



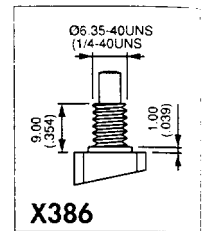
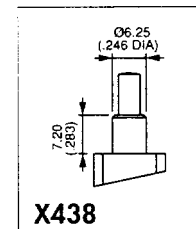
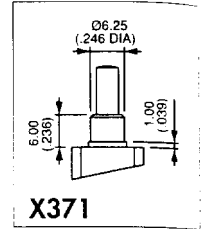
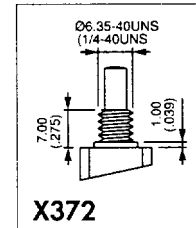
**X371** Plain bushing  $\varnothing$  6,25 mm (.246) (instead of standard threaded bushing).

**X372** Shorter threaded bushing  $\varnothing$  6,35 (1/4). Height 7 mm (.274).

**X386** Threaded bushing  $\varnothing$  6,35 mm (1/4) to replace plain bushing on models W - WW and Y.

**X438** Plain bushing  $\varnothing$  6,25 mm (.246). Height 7,2 mm (.283) - without shoulder.

**X765** Tin plated terminals



# 18000 SERIES

## SNAP-ACTION MOMENTARY PUSHBUTTON SWITCHES

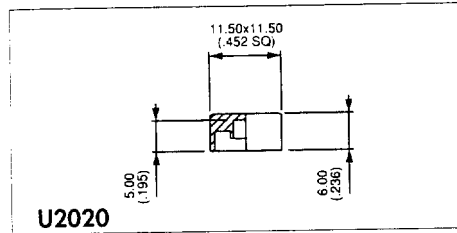
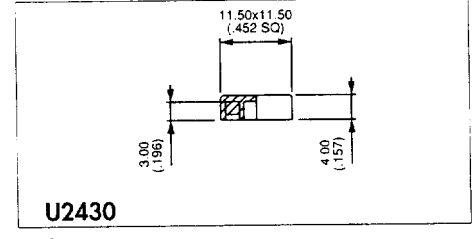
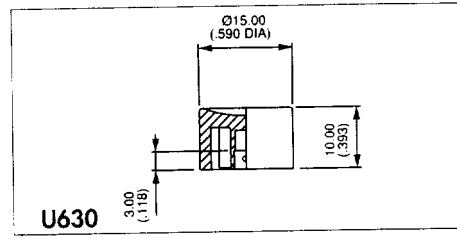
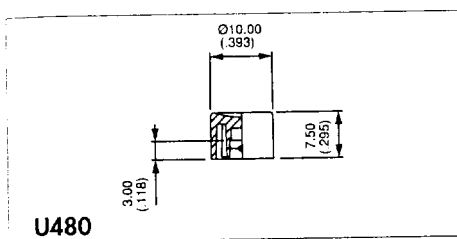
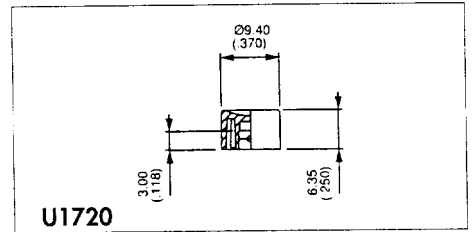
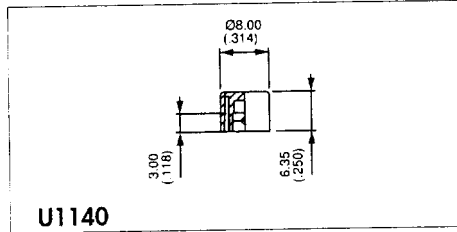
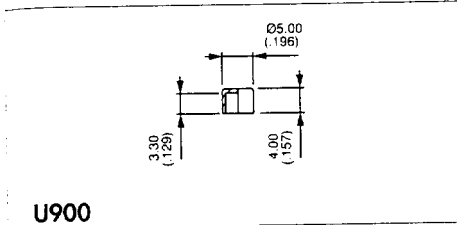
OPTIONS

146-245/246/247

### CAPS

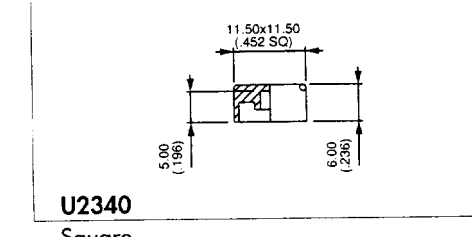
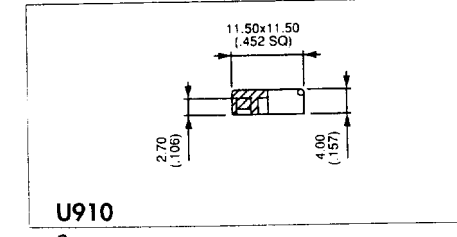
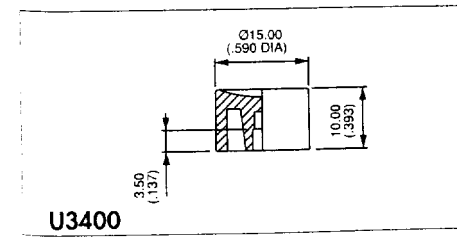
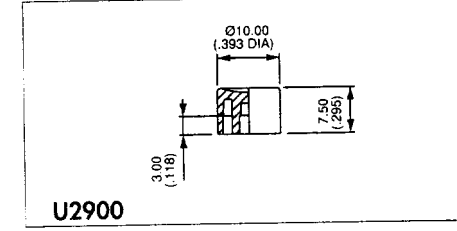
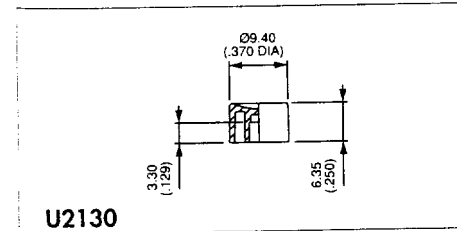
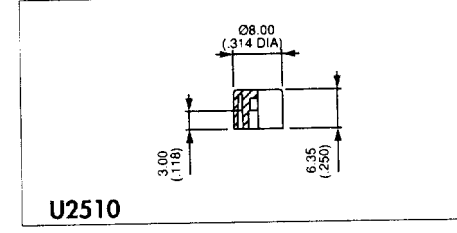
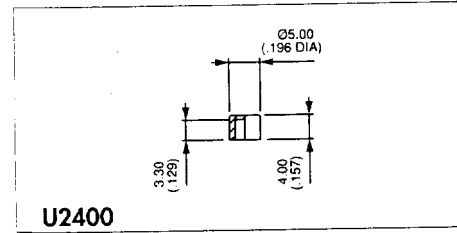


Caps for  $\varnothing 4$  (.157) plungers (-13, -3)



Cap colours	
Replace last "0" by number	
1	blue
2	black
3	green
4	grey
5	yellow
6	red
7	ivory
7/1	white
9	orange

Caps for  $\varnothing 3,1$  (.122) plungers (-5, -6)

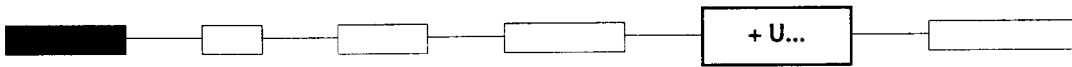


# 18000 SERIES

## SNAP-ACTION MOMENTARY PUSHBUTTON SWITCHES

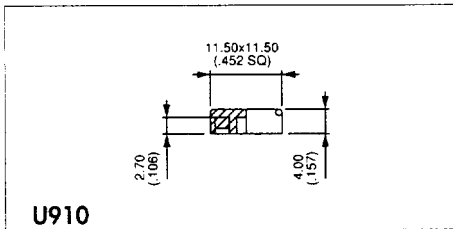
OPTIONS

CAPS (continued)



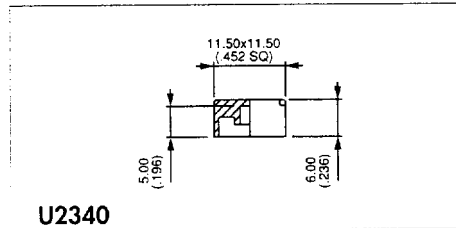
Caps for 18800 and 18800X662 models

D



U910

Square



U2340

Square

### Cap colours

Replace "0" by number

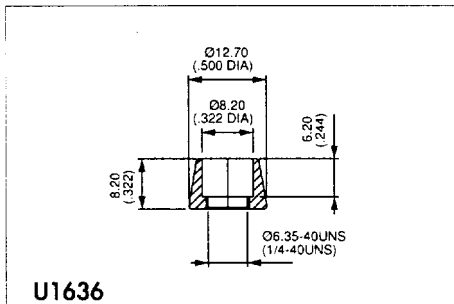
- 1 blue
- 2 black
- 3 green
- 4 grey
- 5 yellow
- 6 red
- 7 ivory
- 7/1 white
- 9 orange

### DRESS NUTS



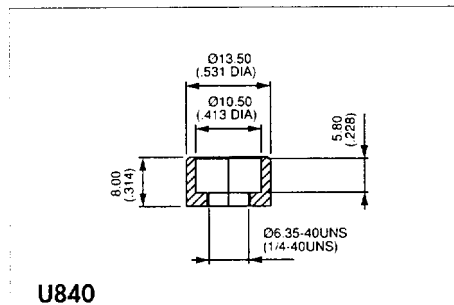
For models with threaded bushing (18500 - 18700 - 18200 - 18900)

Chrome plated



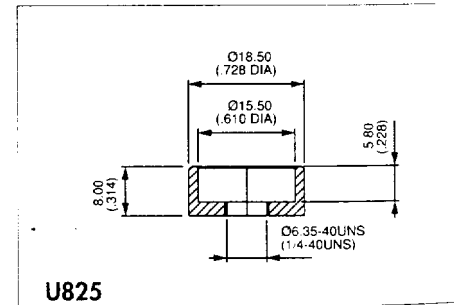
U1636

For caps U1140 and U2510



U840

For cap U480 and U2900



U825

For caps U630 and U3400

# 18000 SERIES

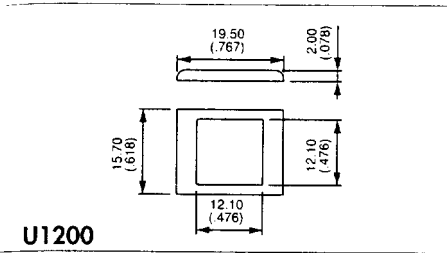
## SNAP-ACTION MOMENTARY PUSHBUTTON SWITCHES

OPTIONS

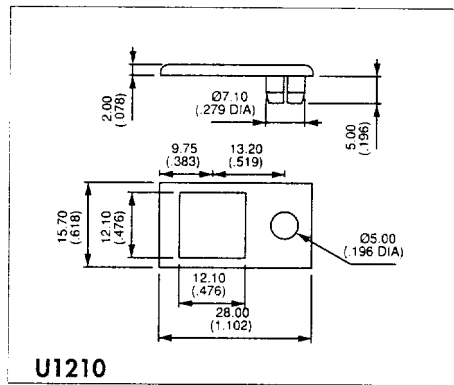
### BEZELS



For snap-in models (18800 - 18800X662)

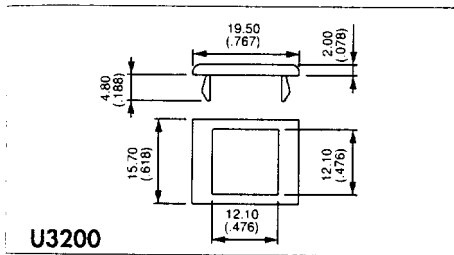


U1200



U1210

For LED



U3200

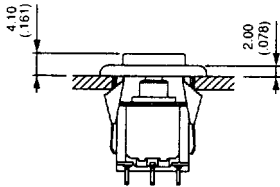
### Bezel colours

Replace last "0" by number

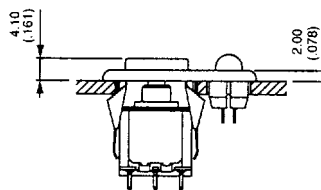
- 1 blue
- 2 black
- 3 green
- 4 grey
- 5 yellow
- 6 red
- 7 ivory
- 7/1 white
- 9 orange

### STANDARD PANEL MOUNTING

Panel thickness with bezel : 1 mm (.039) to 2,5 mm (.098)



18800 + U910 + U1200



18800 + U910 + U1210