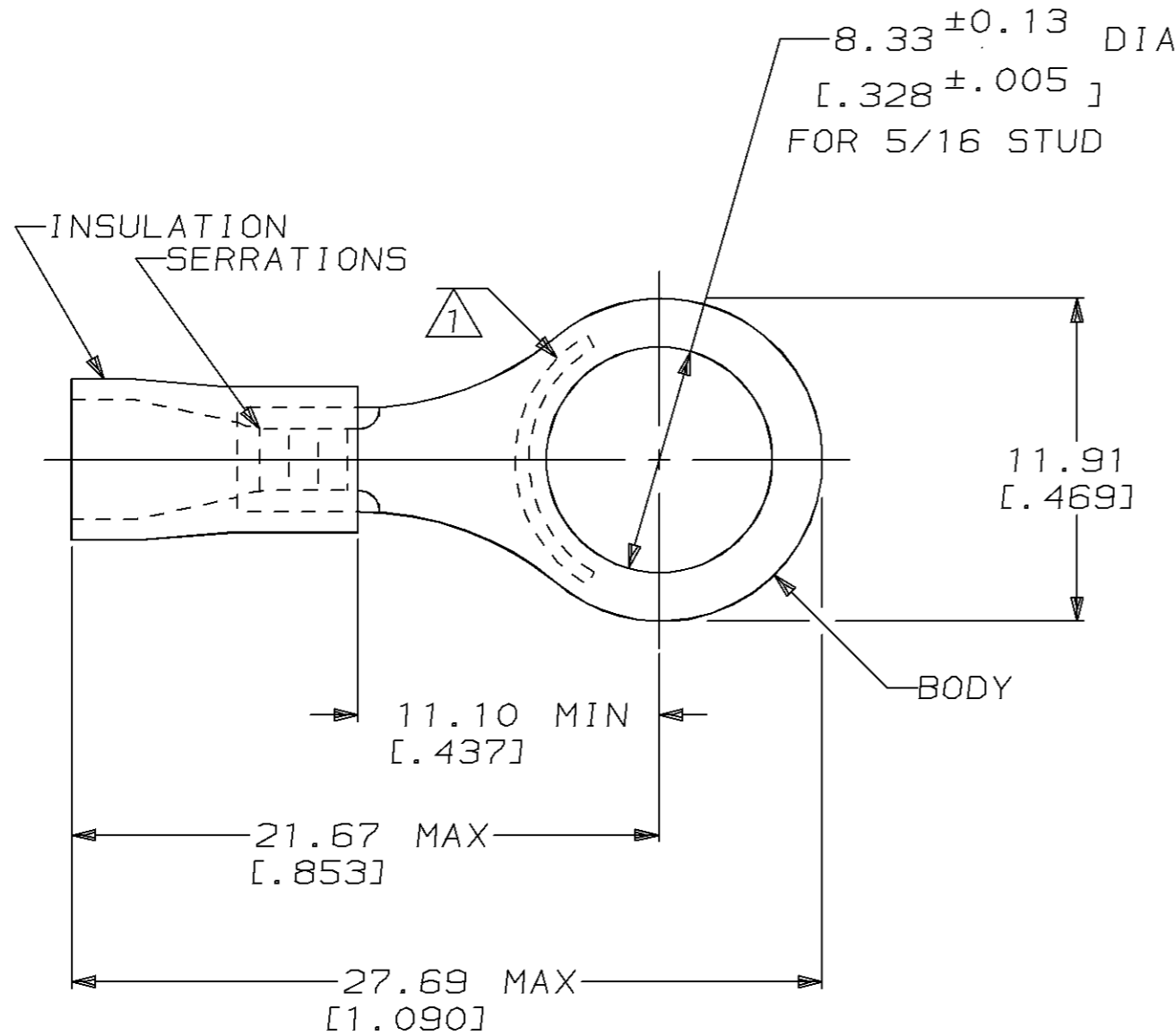


THIS DRAWING IS UNPUBLISHED. RELEASED FOR PUBLICATION, 19 .
 © COPYRIGHT 19 BY AMP INCORPORATED. ALL INTERNATIONAL RIGHTS RESERVED.

LOC	DIST	P	F	REVISIONS				
G	14			ZONE	LTR	DESCRIPTION	DATE	APPD
					M	OBS 2--2 / 0L20-0022-96	12AUG96	ME BB

AMP WIRE RANGE	UL Listed	SR LR7189 Certified
16-14 AWG SOLID OR STRANDED	16-14 AWG SOLID OR STRANDED	16-14 AWG SOLID OR STRANDED



- ① STAMP AMP 16-14* APPROX AS SHOWN
- ② WIRE INSULATION DIA: .115-.170
- ③ TONGUE MATERIAL THK: 0.79±0.05 [.031±.002]
- ④ PVC COLOR: BLUE
- ⑤ PVC COLOR: BLACK
- ⑥ REPLACED BY 34163

OBSOLETE	25	LOOSE PIECE, BAG	④	8-34163-5
	100	LOOSE PIECE, BOX	④	8-34163-1
⑥ OBSOLETE	-	LOOSE PIECE	⑤	2-34163-2
	4000	ON TAPE, REEL	④	2-34163-1
	-	LOOSE PIECE	④	34163

AMP INCORPORATED CUSTOMER SERVICE SYSTEMS		MAX RECOMMENDED OPERATING TEMPERATURE: 90°C MAX	DO NOT SCALE PRINT, UNLESS SPECIFIED DIMENSIONS IN mm [INCHES] TOLERANCES ON: 2 PLC DEC ± 0.20 [.008] 3 PLC DEC ± - ANGLES ± -	DR 08/06/92 DK SCHRUM	AMP AMP Incorporated Harrisburg, PA 17105-3608
				CHK 11/10/92 RE HERSEY	
FOR ADDITIONAL PRODUCT INFORMATION OR COPIES OF DRAWINGS AND TECHNICAL DOCUMENTS	PRODUCT INFORMATION CENTER 1-800-522-6752	VOLTAGE RATING: NOT APPLICABLE	MATERIAL COPPER PER ASTM B-152 PVC COLOR, SEE TABLE	APPD 11/10/92 ML ELLIS	NAME TERMINAL, RING TONGUE, PLASTI-GRIP™
FOR APPLICATION TOOLING INFORMATION	TOOLING ASSISTANCE CENTER 1-800-722-1111			APPD 11/10/92 M BARNABA	
FOR ORDER ENTRY	1-800-526-5142	CIRCULAR MIL AREA: 1.04-2.62mm² [2,050-5,180] SOLID OR STRANDED	FINISH TIN PLATE PER MIL-T-10727	PRODUCT SPEC 108-1034	SIZE B
THIS DRAWING IS A CONTROLLED DOCUMENT FOR AMP INCORPORATED. IT IS SUBJECT TO CHANGE AND THE CONTROLLING ENGINEERING ORGANIZATION SHOULD BE CONTACTED FOR THE LATEST REVISION.				APPLICATION SPEC NOT AVAILABLE	CAGE CODE 00779
				WEIGHT -	SCALE 4:1
					SHEET 1 OF 1