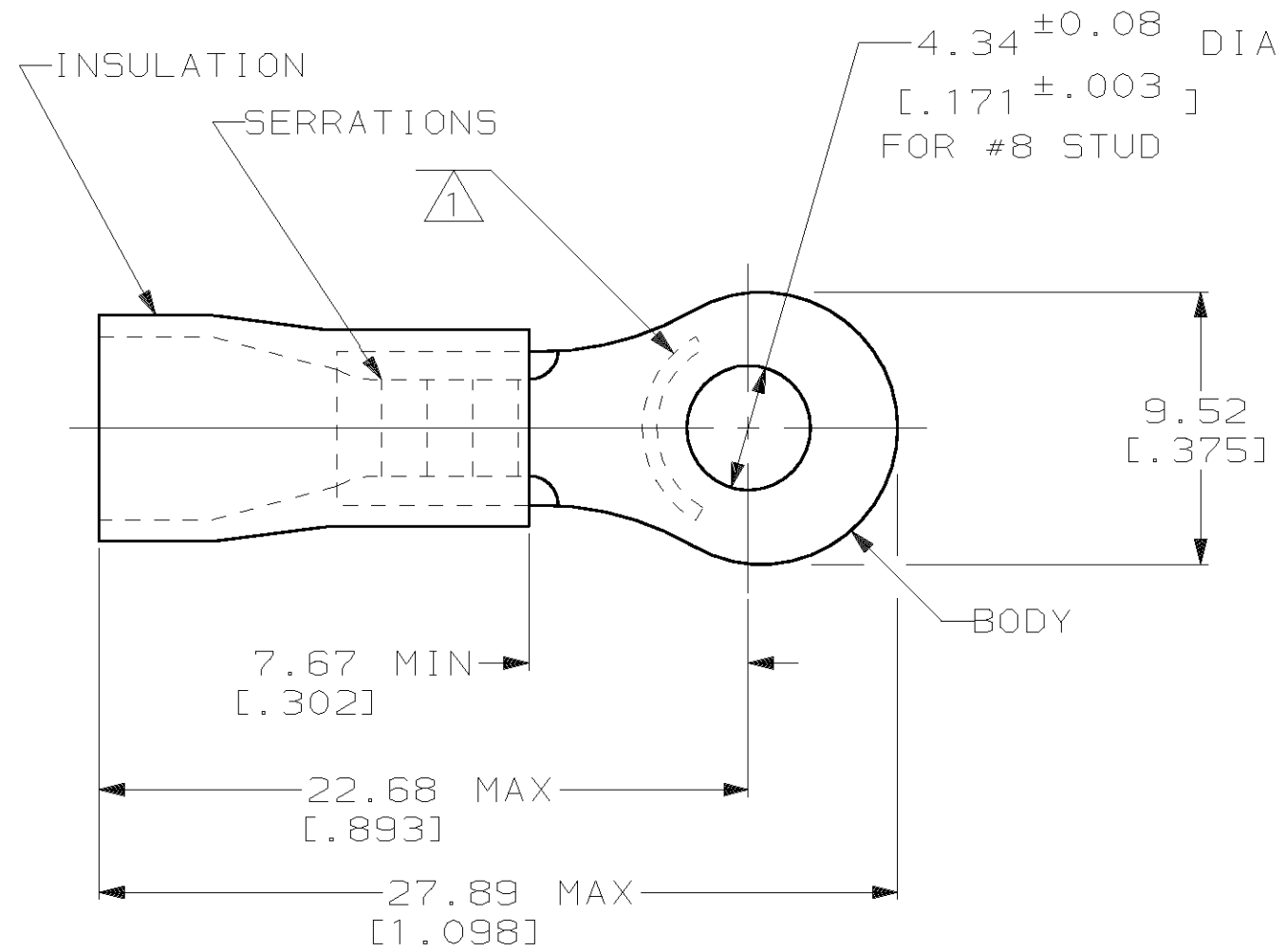


THIS DRAWING IS UNPUBLISHED. RELEASED FOR PUBLICATION, 19  
 © COPYRIGHT 19 BY AMP INCORPORATED. ALL INTERNATIONAL RIGHTS RESERVED.

LOC G	DIST 14	P	F	REVISIONS			DATE	APPD
				ZONE	LTR	DESCRIPTION		
					H	ADDED -24 PER 0G3A-0416-00	20JUN00	JR/TM

<b>AMP</b> WIRE RANGE	<b>UL</b> Listed	<b>SR</b> LR7189 Certified
12-10 AWG SOLID OR STRANDED	12-10 AWG SOLID OR STRANDED	12-10 AWG SOLID OR STRANDED

**METRIC**  
 DIMENSIONS LISTED IN mm [ INCHES ]



- 1 STAMP AMP 12-10\* APPROX AS SHOWN
- 2 WIRE INSULATION DIA: .150-.250
- 3 TONGUE MATERIAL THK: 1.02±0.05 [.040±.002]
- 4 PRELIMINARY - NOT FOR PREPRODUCTION

QUANTITY	PACKAGE TYPE	PART NO
25	LOOSE PIECE, BAG	8-34853-5
4	LOOSE PIECE, BLS	8-34853-4
100	LOOSE PIECE, BOX	8-34853-1
1000	ON TAPE, REEL	2-34853-4
5000	ON TAPE, REEL	2-34853-1
-	LOOSE PIECE	34853

<b>AMP INCORPORATED CUSTOMER SERVICE SYSTEMS</b>		MAX RECOMMENDED OPERATING TEMPERATURE: 90°C MAX	DO NOT SCALE PRINT. UNLESS SPECIFIED. DIMENSIONS IN mm [INCHES]. TOLERANCES ON: 2 PLC DEC ± 0.20[.008] 3 PLC DEC ± - ANGLES ± -	DR 08/06/92 DK SCHRUM	<b>AMP</b> AMP Incorporated Harrisburg, PA 17105-3608
FOR ADDITIONAL PRODUCT INFORMATION OR COPIES OF DRAWINGS AND TECHNICAL DOCUMENTS	PRODUCT INFORMATION CENTER 1-800-522-6752	VOLTAGE RATING: NOT APPLICABLE	MATERIAL COPPER PER ASTM B-152 PVC COLOR: YELLOW	CHK 11/10/92 RE HERSEY	
FOR APPLICATION TOOLING INFORMATION	TOOLING ASSISTANCE CENTER 1-800-722-1111	CIRCULAR MIL AREA: 2.62-6.64mm² [5,180-13,100] SOLID OR STRANDED	FINISH TIN PLATE PER MIL-T-10727	APPD 11/10/92 ML ELLIS	NAME TERMINAL, RING TONGUE, PLASTI-GRIP™
FOR ORDER ENTRY	1-800-526-5142	THIS DRAWING IS A CONTROLLED DOCUMENT FOR AMP INCORPORATED. IT IS SUBJECT TO CHANGE AND THE CONTROLLING ENGINEERING ORGANIZATION SHOULD BE CONTACTED FOR THE LATEST REVISION.		APPD 11/10/92 M BARNABA	SIZE B
				PRODUCT SPEC 108-1034	CAGE CODE 00779
				APPLICATION SPEC NOT AVAILABLE	DRAWING NO C-34853
				WEIGHT -	SCALE 4:1
					SHEET 1 OF 1