

# D Sub Connectors

## Plastic Junction Shell

3485 Series



- Uses standard hardware
- Light weight, compact size
- Full family of sizes

TS-0037-09  
Sheet 1 of 2

Date Modified: February 19, 1999

16

---

## Physical

### Shell

Material: Glass Filled Polyester (PBT)

Flammability: UL 94V-0

Color: Gray

**Insert:** Brass

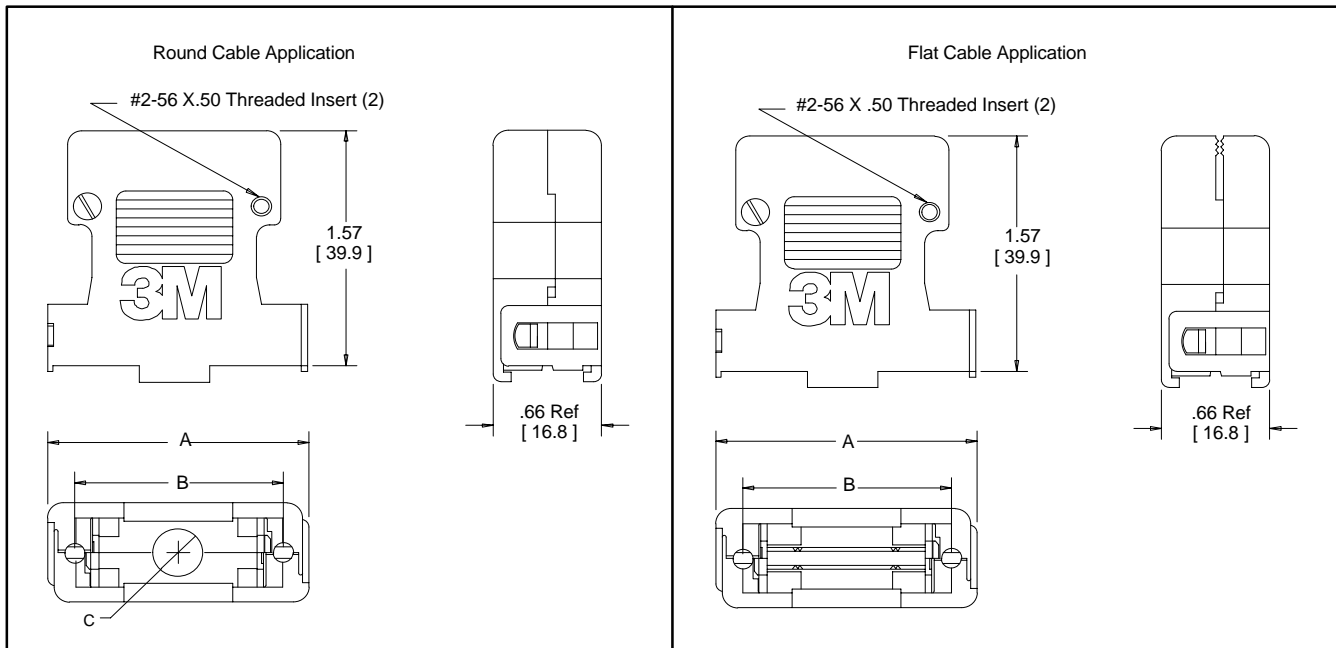
**Tape:** 3M +130C Rubber Tape (3485-2X00F Only)

**Screw:** (2) 2-56 × .50 Roundhead Steel Zinc

**Mounting Hardware:** See Specification Sheet TS-0142

# D Sub Connector Plastic Junction Shell

3485 Series



Used On 3M Connector	Dimensions		
	A Ref	B Ref	C Ref
8209, 8309	1.30 [ 33.0 ]	0.98 [ 24.9 ]	0.27 [ 6.86 ]
8215, 8315	1.63 [ 41.4 ]	1.31 [ 33.3 ]	0.28 [ 7.11 ]
8225, 8325	2.17 [ 55.1 ]	1.85 [ 47.0 ]	0.34 [ 8.64 ]
8237, 8337	2.82 [ 71.6 ]	2.50 [ 63.5 ]	0.38 [ 9.65 ]

Note:  
Use only with thru hole style flange on connector.  
Inserts will interfere with shell housing.

Inch  
[mm]

Tolerance Unless Noted			
	.0	.00	.000
Inch	± .1	± .01	± .005

[ ] Dimensions for Reference only

## Ordering Information

**3485-2X00X**

Contact Quantity:  
1 = 9 Position  
2 = 15 Position  
3 = 25 Position  
4 = 37 Position

Cable Type:  
F = Flat Cable  
R = Round Cable

TS-0037-09  
Sheet 2 of 2

## 3M Interconnect Solutions Division

6801 River Place Blvd.  
Austin, TX 78726-9000

For technical, sales or ordering information call  
**800-225-5373**