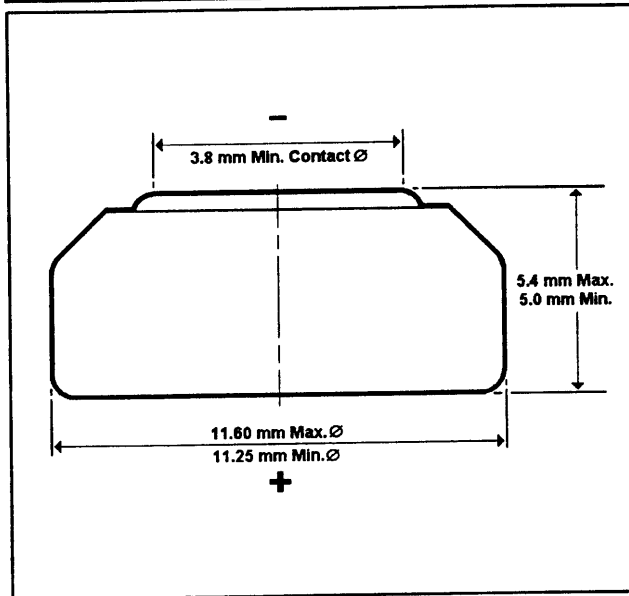


Alkaline Manganese Dioxide Battery



SPECIFICATIONS

Min. No Load Voltage	1.5V
Min. On Load Voltage	1.42V on 50 Ω at 300ms
Rated Capacity	105mAh on 6.8k Ω to 0.8V
Min. Life	400Hrs on 6.8k Ω to 1.2V
Volume	0.56 cm ³
Weight	1.9 g

