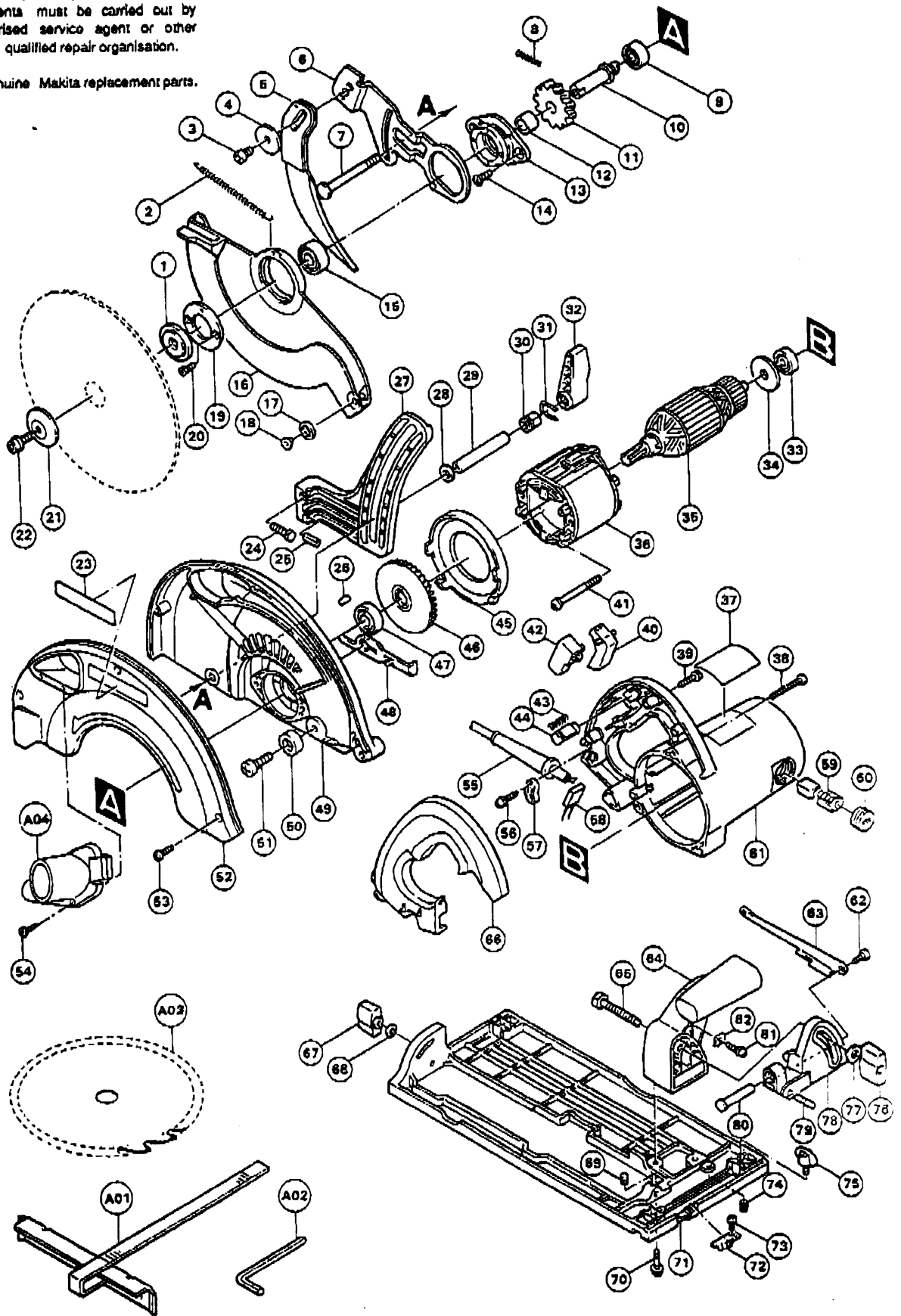


235mm (9¼") CIRCULAR SAW - Model 5903R

IMPORTANT! - To assure product **SAFETY** and **RELIABILITY**, all repairs, maintenance and adjustments must be carried out by Makita authorised service agent or other approved and qualified repair organisation.

Only use genuine Makita replacement parts.



MODEL 5903R

ITEM	DESCRIPTION	CODE	ITEM	DESCRIPTION	CODE
01	INNER FLANGE 42 5903R	224302-2	43	COMPRESSION SPRING 4 5903R	231230-4
02	TENSION SPRING 5 5903R	231798-0	44	LOCK-OFF BUTTON 5903R	415440-3
03	HEX. SOCKET HEAD BOLT M8X16 3901	922422-3	45	BAFFLE PLATE 5903R	415436-4
04	FLAT WASHER 8 5903R	267123-9	46	FAN 82 5903R	241868-7
05	RIVING KNIFE 5903R	165092-7	47	BALL BEARING 6002DDW 9741 (TIB125)	211227-9
06	RIVING KNIFE HOLDER 5903R	344104-7	48	SHAFT LOCK 5903R	344108-3
07	CAP SQUARE NECK BOLT M8X98 5903R	266019-1	49	BLADE CASE COMPLETE 5903R (TIB 237)	152452-2
08	COMPRESSION SPRING 6 5903R	233084-5	50	RUBBER RING 10 5903R (TIB 237)	262060-2
09	BALL BEARING 6001DDW	211131-2	51	PAN HEAD SCREW M8 5903R (NLA) (TIB 237)	265032-6
10	SPINDLE 5903R	322662-7	52	BLADE CASE COVER 5903R	316562-1
11	HELICAL GEAR 39 5903R	226422-8	53	TAPPING SCREW BIND CT 5X20 5903R	266036-1
12	RING 16 5903R	257184-7	54	TAPPING SCREW CT 4X12	266026-4
13	BEARING BOX 5903R	316564-7	55	CORD GUARD	682503-2
14	COUNTERSUNK HEAD SCREW M6X 5903R	265031-8	56	TAPPING SCREW PT M4X18	265995-6
15	BALL BEARING 6202DDW	211228-7	57	STRAIN RELIEF (110V & 240V)	687053-2
16	SAFTY COVER 5903R	316563-9	58	NOISE SUPPRESSOR/CONDENSOR 6452001	645200-1
17	ROLLER 20 5903R	415438-0	59	CARBON BRUSH CB-203	191953-5
18	ROLLER PIN 6 5903R	415437-2	60	BRUSH HOLDER CAP CB-200	643700-5
19	BEARING RETAINER 30-55 5903R	285677-4	61	MOTOR HOUSING COMPLETE 5903R	159719-9
20	COUNTERSUNK HEAD SCREW M5X16 5903R	912222-9	62	PAN HEAD SCREW M4X11 5903R	265028-9
21	OUTER FLANGE 42 5903R	224301-4	63	LINK 5903R	344107-5
22	HEX SOCKET HEAD BOLT M8X20 5903R	265408-7	64	ANGULAR PLATE GUIDE 5903R	415432-2
23	TRADE MARK LABEL 5903R	819034-0	65	HEX BOLT M8X55 5903R	921477-5
24	HEX BOLT M6X25 5903R	921342-8	66	HANDLE COVER 5903R	415431-4
25	SPRING PIN 6-20 5903R	951210-1	67	WING NUT M6	252624-0
26	RUBBER PIN 6 24148/5603R	263005-3	68	FLAT WASHER 6 *	941151-9
27	DEPTH GUIDE 5903R	316557-4	69	SET SCREW M4X5 5903R	265993-0
28	FLAT WASHER 8	941201-0	70	TAPPING SCREW P.T 5X20	266021-4
29	PIPE 9 5903R	331432-3	71	BASE 5903R	316556-6
30	HEX-NUT M8 5903R	252134-7	72	TOP GUIDE 5903R	415433-0
31	RING SPRING 12 5903R	231955-0	73	PAN HEAD SCREW M4X8 5903R	911108-4
32	LEVER 54 5903R	272230-5	74	HEX SOCKET HEAD SCREW M6X6 5903R	266039-5
33	BALL BEARING 629LLB (TIB123)	211056-0	75	SCREW M6X14 5903R	265701-0
34	INSULATION WASHER 5903R	681633-6	76	NUT M8	252626-6
35	ARMATURE ASS'Y 110V 5903R	516576-2	77	FLAT WASHER 8 *	941201-0
35	ARMATURE ASS'Y 240V 5903R	516579-6	78	ANGULAR PLATE 5903R	316558-2
36	FIELD 110V 5903R	636046-6	79	PIN 6 5903R	256231-1
36	FIELD 240V 5903R	636049-0	80	PIN 8 5903R	266692-5
37	NAME PLATE 5903R	857481-7	81	TAPPING SCREW PT M4X18	265995-6
38	TAPPING SCREW BIND CT 5X45 5903R	266037-9	82	INDICATION PLATE 5903R	816128-2
39	TAPPING SCREW FLANGE 4X25 5903R	265999-8	A01	GUIDE RULE 5903R <i>fence</i>	165084-6
40	SWITCH LEVER 5903R	415439-8	A02	HEX WRENCH 6	783204-6
41	TAPPING SCREW FLANGE PT 5X65 5903R	266029-8	A03	TCT BLADE 235X30X20T	B-02858
42	SWITCH TG70B 5903R	651923-1	A04	JOINT 5903R	415426-7

B = Black
 Bl = Blue
 Br = Brown
 P = Peach
 Y = Yellow

