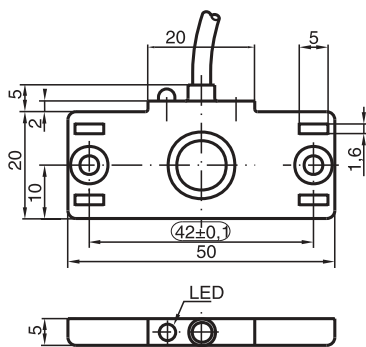
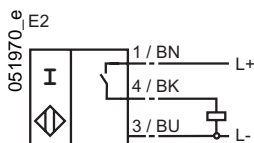


Flat housing
 2 mm not embeddable
 mounting slots for cable
 ties



| | | |
|-----------------------------------|-------------------------------|---------------|
| Switching element function | PNP | Make function |
| Installation | not embeddable | |
| Rated operating distance s_n | 2 mm | |
| Assured operating distance s_a | 0 ... 1.4 mm | |
| Operating voltage U_B | 10 ... 30 V | |
| Operating current I_L | 0 ... 100 mA | |
| Switching frequency f | 0 ... 10 Hz | |
| No-load supply current I_0 | ≤ 15 mA | |
| Off-state current I_r | ≤ 0.5 mA | |
| Voltage drop U_d | ≤ 2 V | |
| Short circuit protection | pulsing | |
| Polarity reversal protected | yes | |
| Indication of the switching state | LED, yellow | |
| Ambient temperature | -25 ... 70 °C (248 ... 343 K) | |
| EMC in accordance with | EN 60947-5-2 | |
| Protection degree | IP67 | |
| Connection type | 2 m, PVC-cable | |
| Core cross-section | 0.14 mm ² | |
| Housing material | PBT | |
| Sensing face | PBT | |
| Standard conformity | EN 60947-5-2 | |

Connection



06.11.2001