



- Intrinsically safe:
EEx ia IIC T6 and
EEx ib IIC T6
- NAMUR Interface acc. to
DIN 19234
- For additional accessories refer to
Pepperl+Fuchs catalogue
"Ex-i-Interface"
- 1- or 2 channels



Pulses per revolution:

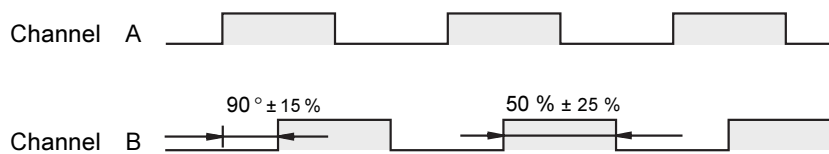
TRD-G ... N1/N2 Plastic disc: 1, 2, 5, 10, 20, 25

TRD-G ... FN2 Metal disc: 30, 50, 60, 100

Electrical Specifications:

		TRD-G ...-N1/N2	TRD-G ...-FN2
Measuring principle		Inductive	Photoelectric
Maximum pulse count	[I/U]	25	100
Supply voltage U_N acc. to DIN 19234	[V]	8	8
Internal resistance	[kΩ]	ca. 1	ca. 1
Internal inductance L_i	[μH]	30	0
Internal capacitance C_i	[nF]	20	177
Maximum output frequency f	[kHz]	5	1

Signal Output Configuration (for clockwise rotation):

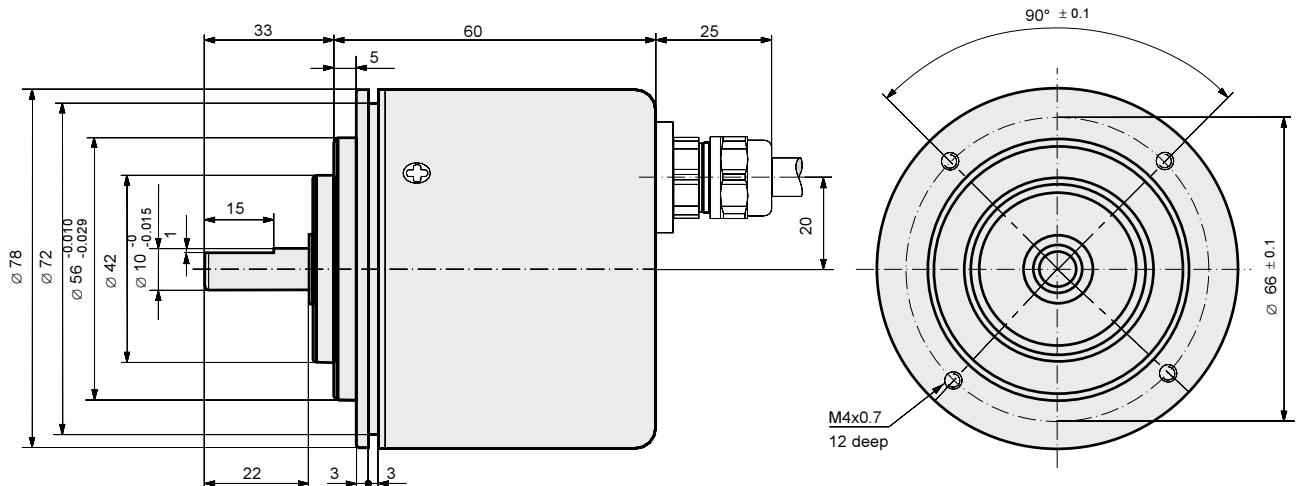


Electrical Connections

	A_{NAMUR+}	A_{NAMUR-}	B_{NAMUR+}	B_{NAMUR-}
5-wire cable	brown	blue	white	black

Date of issue 15.09.1998

Mechanical Dimensions:



Mechanical Specifications:

Housing		Stainless steel
Flange		die-cast aluminum alloy
Pulse disc		Plastic or metal
Shaft		Stainless steel
Bearings		2 grooved ball bearings
Weight	[g]	630
Maximum rotation	[min ⁻¹]	3000
Inertia	[gcm ²]	100
Starting torque (20 °C)	[Ncm]	< 5
Torque (20 °C)	[Ncm]	< 5
Maximum shaft load, axial	[N]	50
Maximum shaft load, radial	[N]	100
Minimal mechanical life	[revolutions]	1.2 x 10 ¹⁰

Environmental Conditions:

Storage temperature	[°C]	-25 ... 85
Working temperature	[°C]	-10 ... 60
Shock resistance acc. to IEC 68-2-27		100 g, 1 ms
Protection class acc. to DIN 40050		IP 65

Approval:

TRD-G ...-N1/N2	EEx ia IIC T6 PTB (D) Ex-83/2022 X
TRD-G ...-FN2	EEx ib IIC T6 PTB (D) Ex-85/2040

Key to Model Number:

