



Switching, Sensing and Control Solutions

from GENTECH INTERNATIONAL LTD

Grangestone Industrial Estate, Girvan, Ayrshire KA26 9PS, United Kingdom

Telephone: +44 (0) 1465-713581. Fax: +44 (0) 1465 714974

Email: sales@gentech-international.co.uk

Website: gentech-international.co.uk

DESIGN FEATURES

- High or low level sensing
- Normally open or normally closed operation by float reversal
- Glass filled polypropylene or Nylon 6.6 material
- External fit option with compression grommet
- Internal fit option
- UL Underwriters Laboratories listed File No. E98428
- Sealing washers and materials suitable for a wide range of chemicals
- Reed switch reliability
- Temperature range up to 130°C
- Minimum SG 0.70
- RS4 with UK Water Research Council approval for cold water

RS SERIES

RIGHT ANGLE LIQUID LEVEL SENSORS



Operational Characteristics

Switch Option		01	03	04	06
Contact Configuration		SPST	SPST	SPDT	SPST
Contact ratings		Reed Switch	Reed Switch	Reed Switch	Reed Switch
Maximum (resistive loads)	Volts DC	100	100	100	100
	Volts AC	120	250	70	120
	Amps	1.0	1.0	0.5	3.0
	Watts	15	15	3	100
Minimum withstand across open contacts	Volts	300	800	200	400
Initial contact resistance	Ohms	0.25	0.25	0.25	0.75

The above contact ratings are for resistive loads. For inductive, capacitive and tungsten filament lamp loads refer to the circuit protection notebook. Available on 1/2" NPT only.

Environmental Specifications

Housing and Float Material	Operating Temperature	Minimum Sg
RS3 - Nylon 6.6	-30° to +130°C	0.85
RS4 - WRC approved Glass Filled Polypropylene (cold water only)	-30° to +110°C	0.70
RS8 - Glass Filled Polypropylene	-30° to +110°C	0.70

Sealing Washer/Compression Grommet

Silicone	-54° to +150°C
Nitrile	-30° to +110°C
EPDM	-54° to +150°C

Detailed chemical resistance information for specific liquids is available on request.

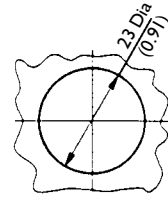
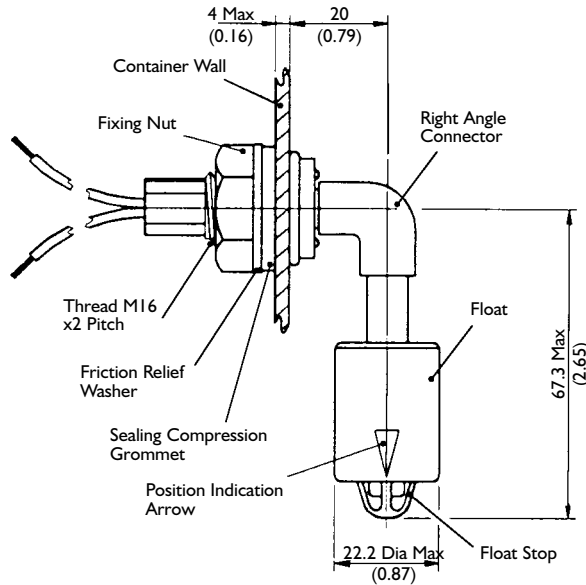
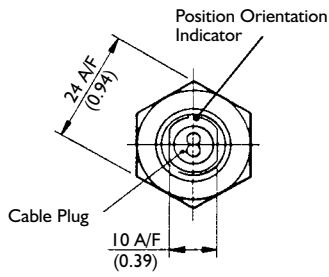
For boiling water applications the maximum operating temperature limits are:- Continuous boiling water 80°C. Non continuous boiling water 100°C.

Mechanical Specification

Mounting Position	Operate Window	Shock	Vibration
Side entry with float travel $\pm 15^\circ$ vertical	within 5mm (0.196") from float stop	50g for 11ms duration (reed switch only)	35g up to 500Hz (reed switch only)

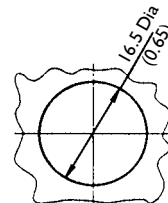
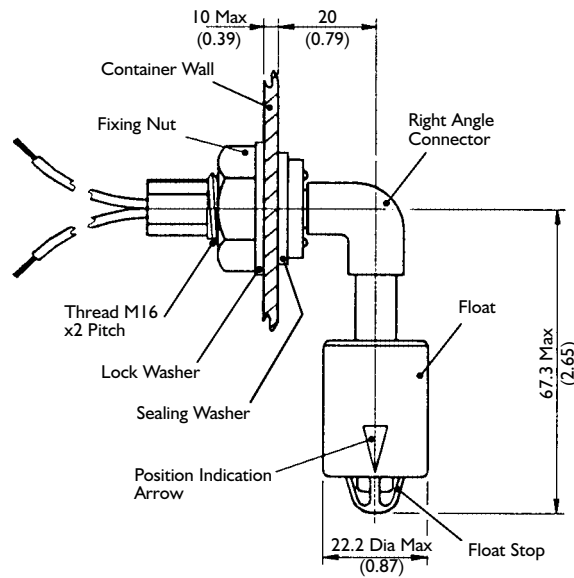
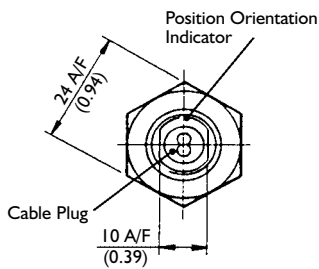
Electrical Connections

Fitted with 2 x 0.5 metres of 18 AWG, 32/0.2mm stranded, with PVC insulation approved to UL/CAS/BS6361.



Installation Hole Size
(Hole should be deburred and clean)

External Fitting



Installation Hole Size
(Hole should be deburred and clean)

Internal Fitting

Installation

Please contact Sales at Gentech for installation instructions (Ref. FI0700-R1)

Applications

Please contact Sales at Gentech for applications relating to this product group.



GENTECH INTERNATIONAL LTD
Grangestone Industrial Estate, Girvan, Ayrshire KA26 9PS, United Kingdom
Telephone: +44 (0) 1465-713581. Fax: +44 (0) 1465 714974
Email: sales@gentech-international.co.uk
Website: gentech-international.co.uk