

**SMD**

**Rated inductance 10 to 1000  $\mu$ H**  
**Rated current 400 to 3500 mA**

**Construction**

- Ferrite core
- Winding: enamel copper wire
- Plastic terminal carrier
- Winding soldered to terminals



**Features**

- High rated current
- Low dc resistance
- Suitable for reflow soldering (IR and vapor phase)

**Applications**

- Filtering of supply voltages
- Coupling / decoupling
- DC/DC converters
- Automotive electronics
- Telecommunications

**Terminals**

- Tinned Sn/Pb

**Marking**

None

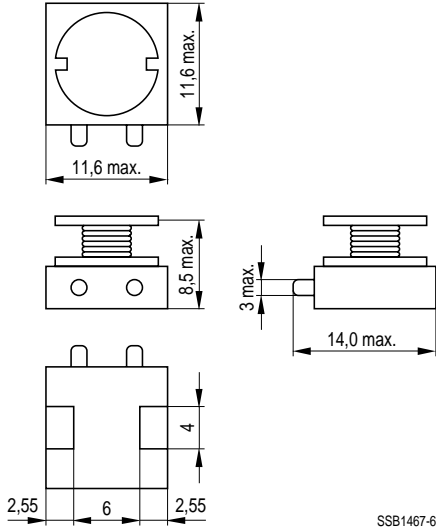
**Delivery mode**

24-mm blister tape, reel packing

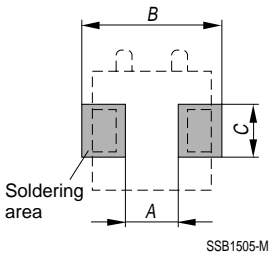
For details on taping, packing and packing units [see page 155](#)



**Dimensional drawing**



**Layout recommendation**



A	B	C
5 mm	13 mm	5 mm


**General technical data**

Rated inductance $L_R$	Measured with HP 4194A at 10 kHz, measuring current $\leq 1$ mA
Rated current $I_R$	Maximum permissible dc with inductance decrease $\Delta L/L_0 \approx 10$ % and temperature increase of $\leq 40$ K at rated temperature of 85°C
DC resistance $R_{max}$	Measured at 20°C ambient temperature
Climatic category	In accordance with IEC 60068-1 40/125/56 (- 40°C/+ 125°C/56 days damp heat test)
Solderability	5 s, 235 °C, wetting >90 %
Weight	Approx. 3 g

**Characteristics and ordering codes**

$L_R$ <sup>1)</sup> $\mu\text{H}$	Toler- ance	$I_R$ mA	$R_{max}$ $\Omega$	$f_{res}$ MHz	Ordering code
10	$\pm 20$ % $\triangleq M$	3500	0,06	20	B82478-A1103-M
15		3100	0,08	16	B82478-A1153-M
22		2600	0,10	13	B82478-A1223-M
33		2300	0,12	10	B82478-A1333-M
47		1950	0,17	8	B82478-A1473-M
68		1650	0,22	7	B82478-A1683-M
100		1400	0,35	6	B82478-A1104-M
150		1200	0,47	4,8	B82478-A1154-M
220		950	0,73	3,2	B82478-A1224-M
330		800	1,15	2,5	B82478-A1334-M
470		650	1,48	2,2	B82478-A1474-M
680		500	2,45	2,0	B82478-A1684-M
1000		460	3,00	1,8	B82478-A1105-M

1) Smaller L values upon request