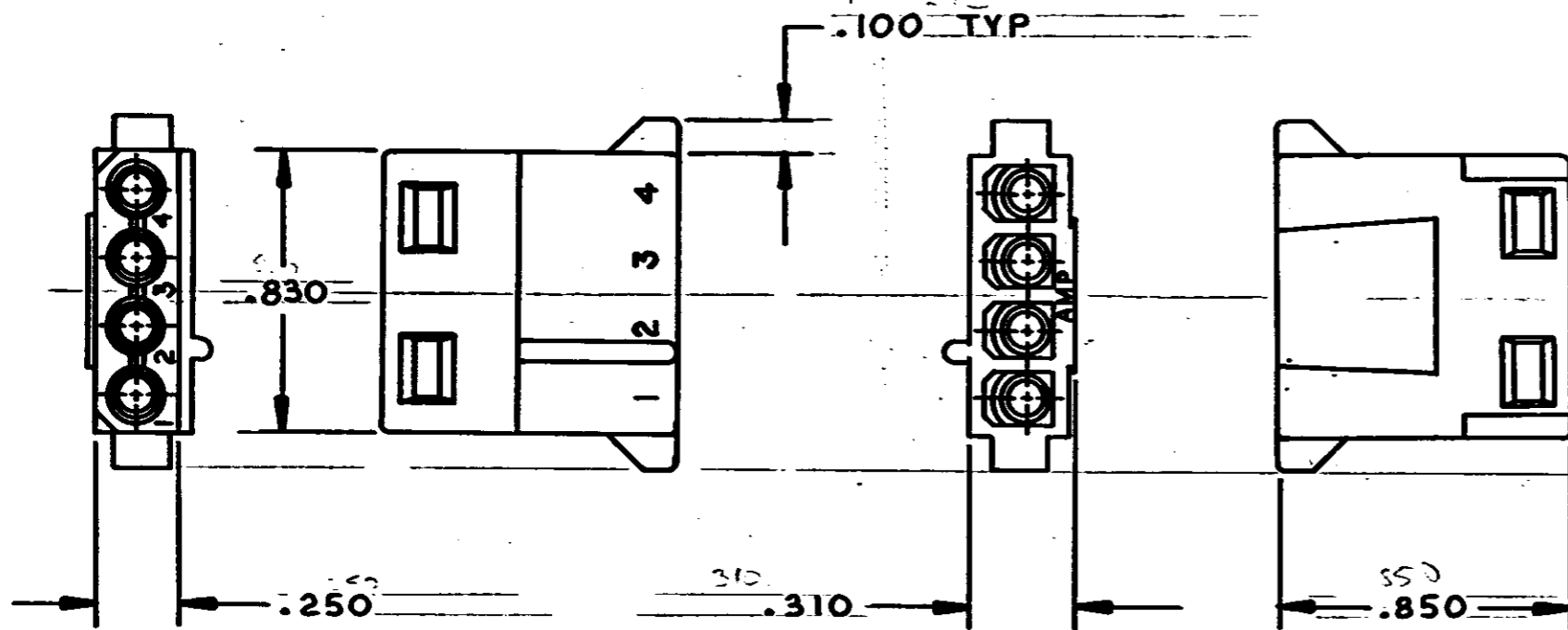


THIS DRAWING IS UNPUBLISHED. RELEASED FOR PUBLICATION 19

© COPYRIGHT 19 BY AMP INCORPORATED, HARRISBURG, PA. ALL INTERNATIONAL RIGHTS RESERVED. AMP PRODUCTS MAY BE COVERED BY U.S. AND FOREIGN PATENTS AND/OR PATENTS PENDING.

REVISIONS						
P	F	ZONE	LTR	DESCRIPTION	DATE	APPROVED
✓			K	OBS. 1-1 1-2 PER CM-890	11-24-87	PH / RS
✓			L	REVISED PER CM 2735	1-30-90	TB / RS



1. THIS PLUG TO BE USED WITH CAP 480426.
2. TO BE USED WITH MATE-N-LOK SOCKETS.

BLACK	1-480424-9
NATURAL	1-480424-0
COLOR	PART NO.

UNLESS OTHERWISE SPECIFIED DIMENSIONS ARE IN INCHES. TOLERANCES ON: DECIMALS ± .015 ANGLES ± .015		CONTRACT NO		AMP INCORPORATED Harrisburg, Pa.	
MATERIAL NYLON		DR G Beck 2/4/86		NAME PLUG, 4 CIRCUIT, MATE-N-LOK™	
FINISH		CHKD R. Dunning 2/5/86		SIZE B	
		APPD Mark Stone 2/5/86		FSCM NO 00779	
		DSGN APPD		DRAWING NO 480424	
		OTHER APPD		SCALE 2:1	
				SHEET 1 OF 1	