



# Production Sockets

## Through Hole PLCC

### Features

- Accept JEDEC MO047 A/B PLCC (20-84) and MO052 AE (32 rect.)
- Low profile top extract type
- Solder tails on 2.54mm square grid
- Closed bottom eliminates bridging and solder wicking
- Moulded in bottom stand-offs for easy removal of flux residue
- Moulded in internal stand-offs to avoid bending J leads
- 3M logo and date code (year / week)

### Electrical

- Current rating: 1 A (AC/DC)
- Insulation resistance: > 1000 MOhms
- Withstanding voltage: > 500 Vrms
- Contact resistance: 10 mOhms typical < 20 mOhms max
- Capacitance: 0.6 pF typical

### Environmental

- Temperature rating:  
-55°C to +105°C (PBT)  
-55°C to +125°C (PPS)

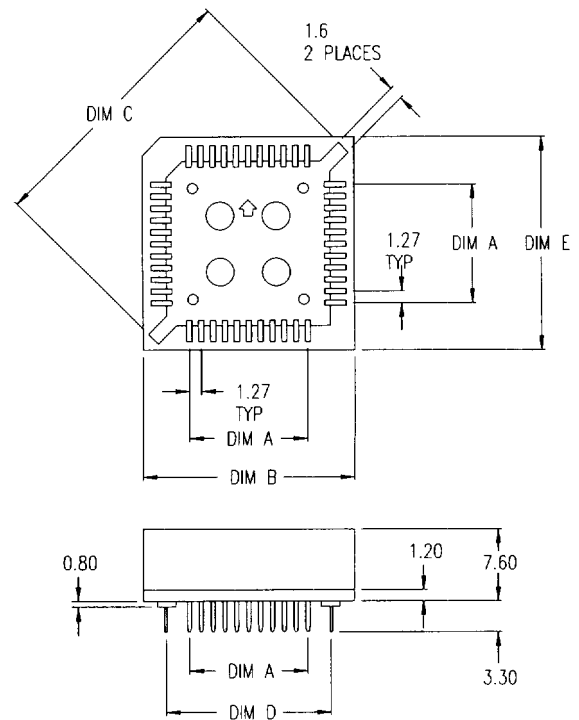
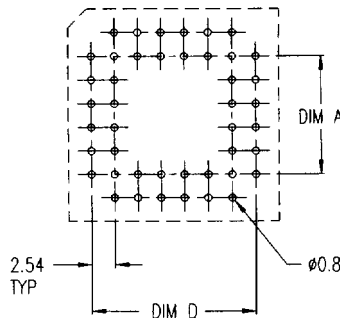
### Physical

- Insulation material: glass filled Polyethylene Terephthalate (PBT) for 20 position through 52 position Polyphenylene Sulphide (PPS) for 68 position through 100 position
- Flammability rating: UL 94 V-0
- Colour: black (PBT) or brown (PPS)
- Contact material: phosphor bronze
- Contact plating: 90 μ" (min) tin over 30 μ" (min) nickel

### Mechanical

- Insertion force: 150g / line max
- Withdrawal force: 40g / line max

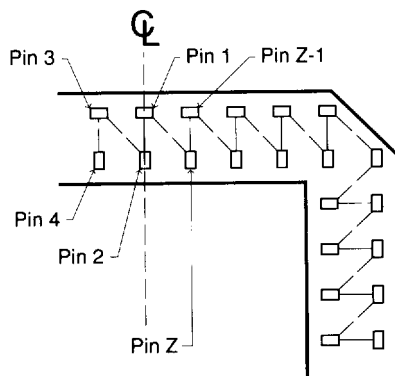
### PCB LAYOUT



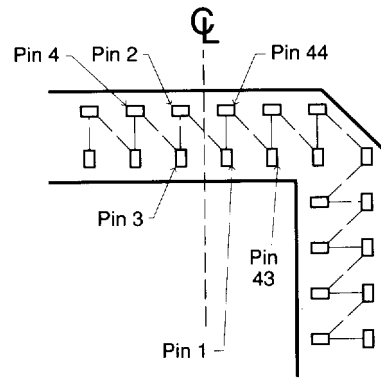
SOCKET PART NUMBER	LEAD COUNT	A ±0.20	B ±0.20	C ±0.30	D ±0.20	E ±0.20
220-7160-71-3857	20	5.08	15.52	18.34	10.16	15.52
228-7161-71-3857	28	7.62	18.28	20.76	12.70	18.28
232-7162-71-3857	32*	7.62	18.74	23.05	15.24	21.25
244-7163-71-3857	44	12.70	23.50	28.48	17.78	23.50
252-7164-71-3857	52	15.24	25.88	32.82	20.32	25.88
268-7165-71-1157	68	20.32	31.20	38.36	25.40	31.20
284-7166-71-1157	84	25.40	36.15	45.60	30.48	36.15
2XX-7167-71-1157	100	30.48	42.02	53.70	35.56	42.02

\* Rectangular type

## Pinout Logic (view from component side)



20, 28, 32, 52, 68 & 84  
LEAD PLCC



44  
LEAD PLCC

### Important Notice

All statements, technical information and recommendations related to the Seller's products are based on information believed to be reliable but their accuracy and completeness is not guaranteed. Before using the product the user should determine the suitability of the product for

intended use. The user assumes all risks and liability whatsoever in connection with such use. Any statements or recommendations of the seller shall have no force or effect unless contained in an agreement signed by an authorised representative of the seller. All other

warranties, express or implied, including but not limited to implied warranties of merchantability and fitness for the purpose which are expressly excluded by the seller's Terms and Conditions of Sale.

#### AUSTRIA

3M Oesterreich Ges.m.b.H.  
Elektronik Systeme  
Brunner Feldstrasse 63  
A-2380 Perchtoldsdorf  
Phone: 0222/ 8666243  
Fax: 0222/ 8666229

#### BELGIUM

3M Belgium N.V./S.A.  
Hermeslaan 7  
B-1831 Diegem  
Phone: 02/ 722 5264  
Fax: 02/ 720 2402

#### CZECH REPUBLIC

3M Ceskoslovensko Spol. Sro.  
Srobarova 24  
10100 Praha  
Phone: 02/ 74-6388  
Fax: 02/ 73-4597

#### DENMARK

3M a/s  
Postboks 1393  
Fabriksparken 15  
DK-2600 Glostrup  
Phone: 43-48-01-00

#### FINLAND

Suomen 3M Oy  
PL 26, Sinimaentie 6  
02620 Espoo  
Phone: 52521

#### FRANCE

Head Office 3M France  
Boulevard de L'Oise  
F-95006 Cergy Pontoise Cedex  
Phone: 1/ 30-31-61-61

#### GERMANY

3M Deutschland GmbH  
Carl-Schurz-Str. 1  
D-41453 Neuss  
Mail to: PO Box 100422  
Phone: 2131/ 14-2589  
Fax: 2131/ 14-2065

#### GREECE

3M Hellas Limited  
Kifissias 20  
GR 151 25 Maroussi  
Mail to: PO Box 50464  
GR 141 10 Heraklion  
Athens  
Phone: 68-42-902/ 68-42-913

#### HUNGARY

3M Hungaria Kft  
Vaci ut 110  
1133 Budapest  
Phone: 01/ 267-1680

#### IRELAND

3M Ireland  
3M House  
Adelphi Centre  
Upper Georges Street  
Dun Laoghaire  
Co. Dublin  
Phone: 01/ 280 3555  
Fax: 01/ 280 3509

#### ITALY

3M Italia SPA  
Via S. Bovio 3 - S. Felice  
20090 Segrate  
Milano  
Mail to: PO Box 10411 / 10412  
20110 Milano  
Phone: 02-70351

#### NETHERLANDS

3M Nederland B.V.  
Industrieweg 24  
2382 NW Zoeterwoude  
Phone: 071-450-364  
Fax: 071-415-378

#### NORWAY

3M Norge A/S  
Hvamveien 6  
Postboks 100  
N-2013 Skjetten  
Phone: 47-06-84-75-00  
eff. 4/ 16/ 93 47-63-84-75-00

#### PORTUGAL

Minnesota (3M) de Portugal, Lda.  
Rua Conde de Redondo, 98  
1199 Lisbon Codex  
Phone: 356-11-31

#### POLAND

3M Poland SP.ZO.O  
Berna Str. 57 A  
01-244 Warszawa  
Phone: 022/ 328815/ 324535  
Fax: 022/ 324535

#### RUSSIA

3M Russia  
Samarsky Per. 3  
Moskow 1291100  
Phone: 7095-288-9701 Local Line  
502-224-1166 or 502-224-1444  
International Line

#### SPAIN

3M España, S.A.  
Calle Juan Ignacia de Tena 19-25  
Mail to: Apartado Correos 25  
Madrid 28080  
Phone: 1-321-60-00

#### SWEDEN

3M Svenska A.B.  
Bollstanavagen 3, SE-191.89  
Sollentuna, Saffans Vag 4  
Phone: 0-8-922100  
Fax: 0-8-922287

#### SWITZERLAND

3M (Schweiz) AG  
Eggstrasse 93, Postfach  
CH-8803 Rueschlikon  
Phone: (01) 724 9352  
3M (Suisse) SA  
Centre Romand  
Chemin du Rionzi 59  
1052 Le Mont-sur-Lausanne  
Phone: 021/ 648 1271  
Fax: 021/ 648 1563

#### TURKEY

3M Sanayil ve Ticaret A.S.  
Buyukdere Cad. Ucyol Mevkij  
Noramin is Merkezi No: 414-416  
Maslak 80670 Istanbul  
Phone: 276-40-80

#### UNITED KINGDOM

3M United Kingdom PLC  
PO Box 393  
Bedford  
MK41 0HR  
Phone: 0234/ 268868  
Fax: 0234/ 229433  
Telex: 827755 MMM BE G