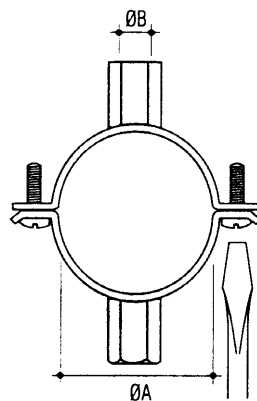
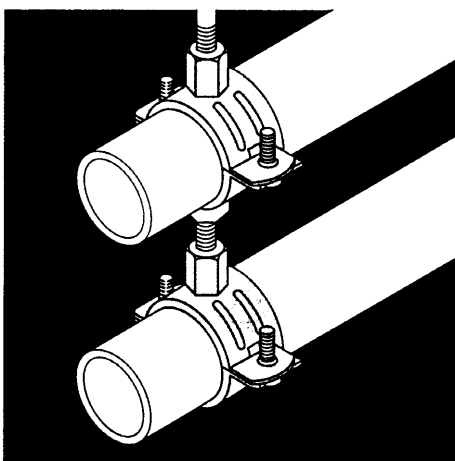
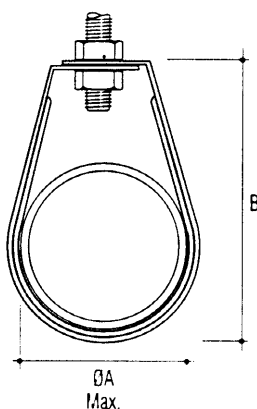
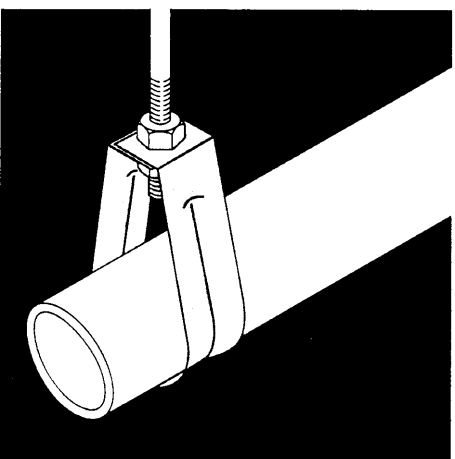


REF	ØA (mm)	ØB (mm)	ⓕ	
PB-1519	15-19	M8/M10	F1	50
PB-2025	20-25	M8/M10	F1	50
PB-2630	26-30	M8/M10	F1	50
PB-3236	32-36	M8/M10	F1	50
PB-3843	38-43	M8/M10	F1	25
PB-4751	47-51	M8/M10	F1	25
PB-5358	53-58	M8/M10	F1	25
PB-6064	60-64	M8/M10	F1	25
PB-6872	68-72	M8/M10	F1	25
PB-7580	75-80	M8/M10	F1	25
PB-8186	81-86	M8/M10	F1	25
PB-8792	87-92	M8/M10	F1	25
PB-99105	99-105	M8/M10	F1	25
PB-107112	107-112	M8/M10	F1	25
PB-113118	113-118	M8/M10	F1	25
PB-125130	125-130	M8/M10	F1	25
PB-132137	132-137	M8/M10	F1	25
PB-138142	138-142	M8/M10	F1	25
PB-148152	148-152	M8/M10	F1	25
PB-159166	159-166	M8/M10	F1	25
PB-200212	200-212	M8/M10	F1	25
PB-215220	215-220	M8/M10	F1	25
PB-248252	248-252	M8/M10	F1	25



REF	ØA (mm)	ØB (mm)	ⓕ	
PBD-1518	15-18	M8/M10	F1	50
PBD-2024	20-24	M8/M10	F1	50
PBD-2630	26-30	M8/M10	F1	50
PBD-3236	32-36	M8/M10	F1	50
PBD-3842	38-42	M8/M10	F1	25
PBD-4750	47-50	M8/M10	F1	25
PBD-6064	60-64	M8/M10	F1	25
PBD-7580	75-80	M8/M10	F1	25
PBD-8590	85-90	M8/M10	F1	25
PBD-100106	100-106	M8/M10	F1	25
PBD-114119	114-119	M8/M10	F1	25
PBD-133140	133-140	M8/M10	F1	25
PBD-159165	159-165	M8/M10	F1	25



REF	ØA (mm)	B (mm)	ⓕ	
PH-20	20	64	F2	25
PH-25	25	72	F2	25
PH-32	32	83	F2	25
PH-40	40	96	F2	25
PH-50	50	113	F2	25
PH-65	65	132	F2	25
PH-80	80	156	F2	25
PH-100	100	215	F2	10
PH-125	125	242	F2	10
PH-150	150	279	F2	10



Quality Assurance

E-Klips is registered for BS EN ISO 9001 and has a comprehensive test and inspection programme so that all products comply with our specifications, whether they are of our own manufacture or from a quality approved source. This is to ensure that all order requirements are met. Any further details required on quality are available on request.

Protection against corrosion

The majority of E-Klips spring steel fasteners are mechanically zinc plated. The clips are subjected to a process of MECHANICAL GALVANISING, which deposits a layer of zinc to a minimum thickness of 25 microns, followed by a passivation process that organically creates a protective layer in the zinc. This gives a high level of protection against first white corrosion and first red rust according to ASTM-B695-90 or equivalent.

The corrosion resistance is measured by a salt spray test conforming to ASTM-B-117-90, DIN 50021 or equivalent. E-Klips mechanically galvanised products are salt spray rated to a minimum of 500 hours and are coded F8 or F9.

Key to finishes and applications:

- F1 Electroplated zinc finish, generally 8-12 microns thick with chromate coating, approximately 72 hours salt spray resistance ASTM-B117-90, DIN 50021, suitable for indoor, non-corrosive environments.
- F2 Galvanised, generally hot dipped to a thickness of 50-70 microns, suitable for indoor and outdoor, humid and mildly corrosive environments.
- F3 Stainless steel, suitable for indoor and outdoor and mildly corrosive environments.
- F4 Painted finish to compliment indoor applications.
- F5 Black phosphate finish in accordance with BS3189 Class 1 suitable to achieve 72 hours salt spray rating for indoor, non-corrosive environments.
- F6 Self colour, unfinished and unprotected product for indoor applications.
- F7 Flexible plastic coating with good chemical and corrosion resistance to protect the base material.
- F8 Mechanically galvanised and passivate process as described above to give a 500 hour salt spray rating, suitable for indoor and outdoor, humid and mildly corrosive environments.
- F9 Mechanically galvanised and passivate process as described above to give a 600 hour salt spray rating, suitable for indoor and outdoor, humid and mildly corrosive environments.

Load Rating

The load rating of E-Klips fasteners is expressed as a maximum static load limit. This is the stationary vertical load limit for a fixing product and incorporates a significant safety factor. Where fasteners are combined, the load rating is determined by the lowest rated fastener. If the load rating of the steel work is less than that of the fastener, this becomes the maximum static load rating for the system. For further information please contact the sales office.

Materials

E-Klips products are manufactured using steel in accordance to BS1449 PT2 grade CS70. Furthermore products are annealed and oiled.

All components are hardened and austempered using the shaker hearth furnace method to give a final hardness reading of 400-450 HV-10 Vickers.

Warranty and limitations

E-Klips warrants to the buyer that the products sold in this catalogue shall be free of defects in material and workmanship at the time of shipment. Buyer's sole and exclusive remedy under this warranty is limited to repair or replacement, at our option, of the product, or any part or parts thereof, which have been returned to us, with transportation charges prepaid to our factory, and which we determine to have been defective at time of original factory shipment. We disclaim any liability for incidental or consequential damages which may be incurred either by the buyer or user of E-Klips fasteners. E-Klips neither assumes or authorises any person to assume for it any obligation in the connection with the sale of the product in excess of the above mentioned warranty and remedy.

Misapplication

E-Klips spring steel fasteners are intended for indoor and outdoor use in a mildly corrosive atmosphere and within the published load limits. E-Klips assumes no liability for any misapplication of any fastener. A misapplication of a fastener includes any or all of the following:

- a) Use beyond published load limits (see catalogue).
(Note: all load ratings, unless specified, are vertical load ratings for normal fastener application).
- b) Installation in a manner other than per instructions.
- c) Use in an environment which is or might be corrosive.
- d) Use in an application not published by E-Klips, as shown in the fasteners product catalogue.
- e) Use without compliance with local/national code regulations.

NB: Owing to manufacturing improvements, some fasteners supplied may differ from those illustrated. However, the static loads stated still apply.

We reserve the right to make any alterations to the information contained in this brochure which we consider to be either necessary or advantageous.

This brochure is designed to provide only preliminary information on the products and services provided by E-Klips and is not a contract.

The company does not accept any liability for loss or damage arising from failure to follow its instructions in respect of its products or from variations to products not agreed by it.

© This brochure is sole copyright of Thomas & Betts E-Klips and should not be reproduced in part or in full without prior permission (2000).