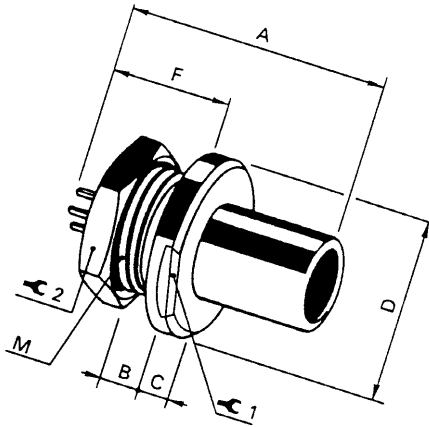




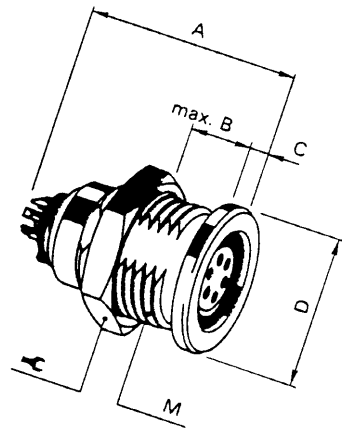
SFE Hermetic, non-latching panel plug

965-005/017/029/030



Series	A	B	C	D	F	M	Y ₁	Y ₂
102	21	2.5	3	13	8	9x0.5	9	11
103	26	5	2.5	17	12	12x1		14
1031								
104	28	7.5	3	22	13	16x1		19
105	32	6	4	27	13	20x1		25
106								
107								

D Panel receptacle

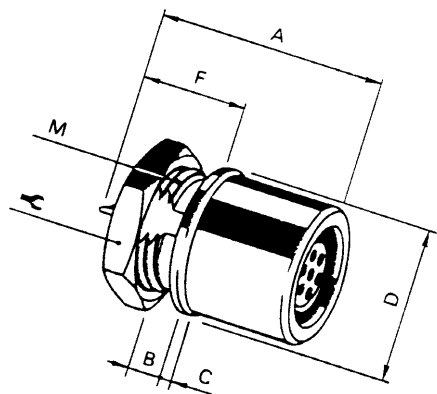


Receptacles for high voltage are listed in section C.

Series	A	B _{max}	C	D	M	Y
102	19	9	1.5	11	9x0.5	11
103	23	8	1.5	14	12x1	14
1031	25	10	2	16	14x1	17
104	25	10.5	2.25	19	15x1	17
105	32	15	2	22	18x1	22
106	50	18	3	37	32x1	106.850
107	46	18	4	40	35x1	107.957

Receptacles of series 106 and 107 are supplied with slotted nuts. For nut dimensions see «Accessories», section J. For wrenches see «Assembly Tools», section K.

DB Front projecting receptacle



The larger portion of the «DB» is on the outside and occupies less space inside the equipment than the «D».

Series	A	B	C	D	F	M	Y
102	18	3	1	11	7	9x0.5	11
103	21	4	1.5	14	10	12x1	14
1031							
104	26	3	2.5	19	11	16x1	19
105	33	7	2	22	14	18x1	22
106							
107							

The «DB» style allows the use of a protective sleeve on the mating straight plug providing a certain sealing. See «General Environmental Protection» on page M4.