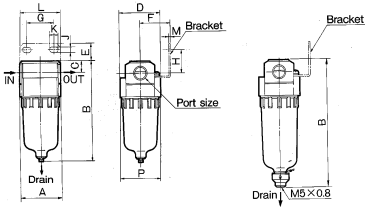


DIMENSIONS AF1000•2000



With Auto Drain
(Differential pressure type)

AIR FILTER SERIES AF

- ✓ Port Size M5 – 1" Rc
- ✓ Autodrain available
- ✓ New super efficient 5µm Poly-element
- ✓ Quick release bowl guard on some sizes
- ✓ High flow

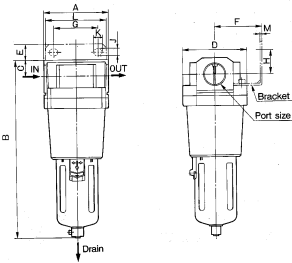


TECHNICAL SPECIFICATIONS

Model	AF1000	AF2000	AF3000	AF4000	AF5000	AF6000
Port size	M5x0.8	3/8" 1/4"	1/2" 3/8"	3/4" 1/2"	1" 3/4"	1"
Flow rate /n/min*	140	1050	2800	5000	7000	8000
Max. supply pressure MPa	1.5					
Max. operating pressure MPa	0.99					
Ambient and media temperature	-5 ~ +60°C					
Filtration	Standard: 5µm					
Bowl material	Polycarbonate (Steel/Nylon option)					
Bowl capacity cm ³	4	15	20	45	130	130
Min. operating condition for autodrain type	Min. flow 100 n/min					
	Min Pressure 0.1 MPa					

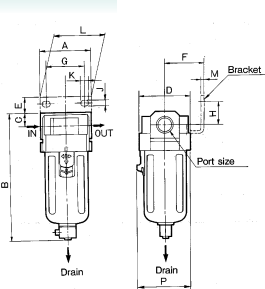
* 0.7 MPa supply, Pressure drop ΔP = 0.05 MPa
* Flow data is for new Poly-Element
For larger sizes see High Flow Series AF

DIMENSIONS AF5000•6000

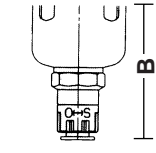


See below for auto drain

DIMENSIONS AF3000•4000



With Auto Drain
(N.O. float type)
with one touch
fitting for 10mm
O.D. tube with
additional manual
discharge.



HOW TO ORDER AIR FILTER

AF	—	—	—	—
BODY SIZE	1000 M5	2000 3/8"•1/4"	3000 1/2"•3/8"	4000 3/8"•1/2"
	5000 3/4"•1"	6000 1"		
PORT SIZE	M5 ...M5	04 ...1/2	01 ...3/8	06 ...1/4
		02 ...1/4	10 ...1	
		03 ...3/8		
			AUTODRAIN	
			Nil ...Without	
			D ...With	
			AUTODRAIN OUTLET (3000 & 6000)	
			Nil ...With one touch fitting	
			X445 Without fitting but with Rc(PT)1/4"	

STOCKED PRODUCTS
FOR A LIST OF STOCKED PRODUCTS,
PLEASE SEE THE CURRENT SMC PRICE LIST

ACCESSORIES AIR FILTER

Poly Filter Element 5µm	Sintered Bronze Filter Element 5µm	Applicable Filter Series
111344	11134-5B	AF1000
1129116A	11294-5B	AF2000
111585A	111511-5B	AF3000
1116103A	11104-5B	AF4000
111724A	11173-5B	AF5000
111825A	11074-5B	AF6000

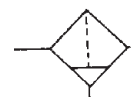
Note: Sintered bronze and Poly-elements are now interchangeable

Bracket	B240A	AF2000
	B340A	AF3000
	B440A	AF4000
	B640A	AF5000/6000

STOCKED PRODUCTS
FOR A LIST OF STOCKED PRODUCTS,
PLEASE SEE THE CURRENT SMC PRICE LIST

Model	A	B	C	D	E	F	G	H	J	K	L	M	P	With Auto Drain	
														B	Type
AF1000	25	66	7	25	-	-	-	-	-	-	-	-	26.5	86.5	Differential pressure
AF2000	40	97.5	11	40	17	30	27	22	5.4	8.4	40	2.3	40	120.5	Differential pressure
AF3000	53	132.5	14	53	16	41	40	23	6.5	8	53	2.3	56	170	Float (N.O.)
AF4000	70	168.5	18	70	17	50	54	26	8.5	10.5	70	2.3	73	206	Float (N.O.)
AF5000	90	247.5	24	90	23	70	66	35	11	13	90	3.2	90	285	Float (N.O.)
AF6000	95	261.5	24	95	23	70	66	35	11	13	90	3.2	95	299	Float (N.O.)

SYMBOLS



SEE INSIDE FRONT COVER FOR
DETAILS OF YOUR LOCAL SALES OFFICE



FOR FURTHER TECHNICAL
DETAILS ON THIS
PRODUCT REQUEST
CATALOGUE REFERENCE
E5G

REGULATOR SERIES AR

- ✓ Port Size M5 – 1" Rc
- ✓ "Q" and "P" compensation
- ✓ Design includes panel mount ring
- ✓ High flow
- ✓ Non-modular, higher flow and precision type regulators are available (see index)
- ✓ Check valve option available
- ✓ Built in gauge available
- ✓ Locking ring as standard
- ✓ Tamper proof cap option



TECHNICAL SPECIFICATIONS

Model	AR1000	AR2000	AR2500	AR3000	AR4000	AR5000	AR6000
Port size	M5x0.8	1/8" 1/4"	1/4" 3/8"	3/8" 1/2"	1/2" 3/4"	3/4" 1"	1"
Flow rate /n/min*	100	550	2000	2500	6000	8000	10000
Max. supply pressure MPa	1.5						
Max. operating pressure MPa	1.0						
Pressure regulating range MPa	0.05-0.7	0.05 - 0.85 (AR*000)		0.1 - 0.85 (AR*060)			
Optional low pressure regulator range Bar	0.2-2						
Port size for pressure gauge	1/8"	1/4"	3/8"	1/2"	3/4"	1"	1"
Ambient and media temperature	-5 ~ +60°C						
Construction	Relieving type						

* 0.7MPa supply, pressure = 0.5MPa, Pressure drop ΔP = 0.1MPa

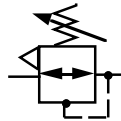
For larger pilot operated units see AR High Flow Series

- Tamper Proof Cap
- UKA 351 - 9 AR1000
 - UKA 352 - 9 AR2000
 - UKA353 - 9 AR3000
 - UKA 354 - 9 AR4000

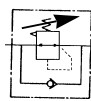


To be loctited over adjusting knob and engraved with prim/sec pressures

SYMBOLS

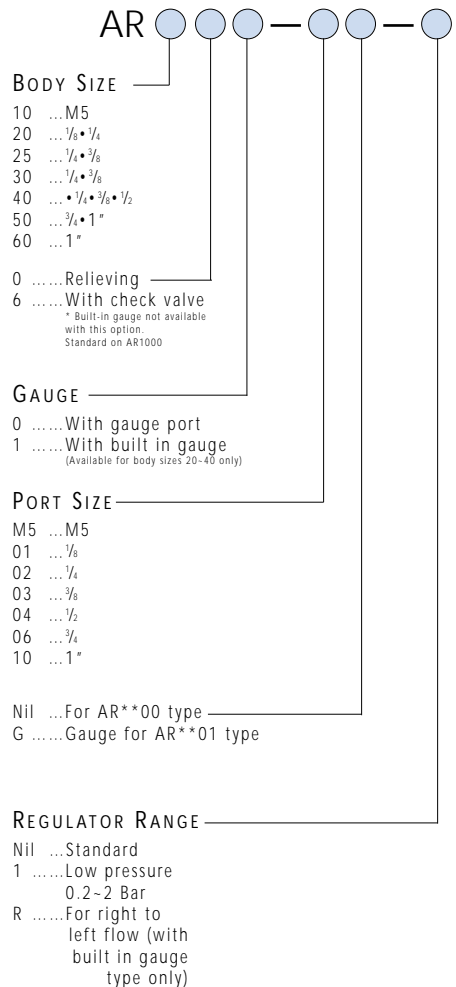


Relieving type



Check valve type

HOW TO ORDER PRESSURE REGULATOR



ACCESSORIES PRESSURE REGULATOR

- Bracket
- B120AR1000
 - B220AR2000/2500
 - B320AR3000
 - B420AR4000
 - B540AAR5000
 - B640AAR6000

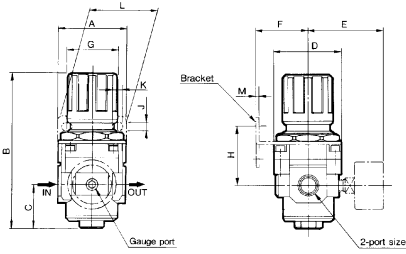
STOCKED PRODUCTS
FOR A LIST OF STOCKED PRODUCTS, PLEASE SEE THE CURRENT SMC PRICE LIST

PRESSURE GAUGES

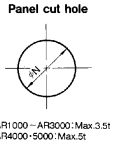
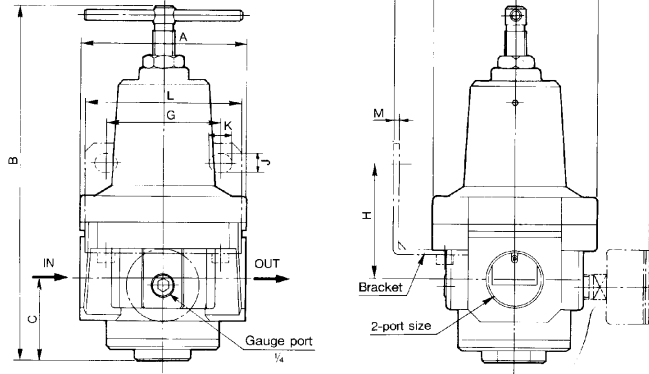
See Pressure Gauges Page

STOCKED PRODUCTS
FOR A LIST OF STOCKED PRODUCTS, PLEASE SEE THE CURRENT SMC PRICE LIST

DIMENSIONS AR1000~AR5000

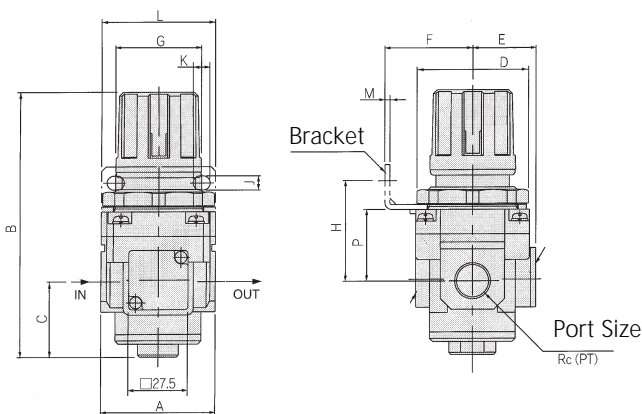


DIMENSIONS AR6000



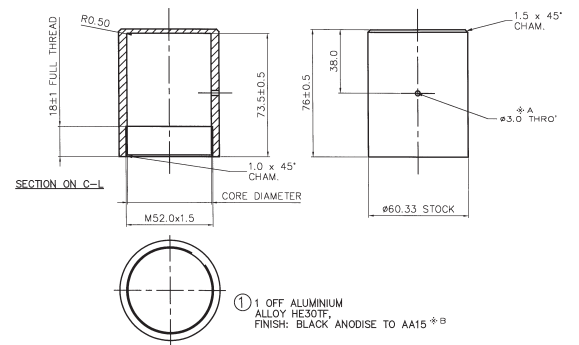
Model	A	B	C	D	E	F	G	H	J	K	L	M	N
AR1000	25	61.5	11	25	26	25	18	30	4.5	6.5	40	2	20.5
AR2000	40	95	17	40	56.8	30	30	45	5.4	15.4	55	2.3	33.5
AR2500	53	102.5	25	48	60.8	30	34	44	5.4	15.4	55	2.3	33.5
AR3000	53	127.5	35	53	60.8	41	40	46	6.5	8	53	2.3	42.5
AR4000	70	149.5	37.5	70	65.5	50	54	54	8.5	10.5	70	2.3	52.5
AR5000	90	168	48	90	75.5	70	66	65.8	11	13	90	3.2	52.5
AR6000	95	204.5	48	95	78	70	66	65.8	11	13	90	3.2	-

DIMENSIONS AR2001~AR4001



Model	Part Size	A	B	C	D	E	F	G	H	J	K	L	M	N
AR2001	1/8 • 1/4	40	95	17	40	35	30	34	44	5.4	15.4	55	2.3	33.5
AR2501	1/4 • 3/8	53	102.5	25	48	32	30	34	34	44	5.4	15.4	55	2.3
AR3001	1/4 • 3/8	53	127.5	35	53	29.5	41	40	46	6.5	8	53	2.3	42.5
AR4001	1/4 • 3/8 • 1/2	70	149.5	37.5	70	38	50	54	54	8.5	10.5	70	2.3	52.5

DIMENSIONS TAMPER PROOF CAP



TYPE	A	B	C	D	Internal thread
UKA351-9	M20X1.0	32.5	25.4	10.0	18±1
UKA352-9	M33X1.5	52.5	41.28	26.0	Full threads
UKA353-9	M42X1.5	61.5	50.8	31.0	Material
UKA354-9	M52X1.5	73.5	60.33	38.0	Black Anodised Aluminium



SEE INSIDE FRONT COVER FOR
DETAILS OF YOUR LOCAL SALES OFFICE



FOR FURTHER TECHNICAL
DETAILS ON THIS
PRODUCT REQUEST
CATALOGUE REFERENCE
E5G

LUBRICATOR SERIES AL OIL MIST TYPE



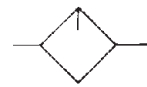
- ✓ Port Size M5 - 1" Rc
- ✓ Precise adjustment
- ✓ Uniform lubrication even at extremely low flow rates
- ✓ Over 97% of atomised oil particles <10 microns
- ✓ Quick release bowl guard on some sizes
- ✓ Built-in check valve prevents oil falling back into bowl during no air consumption which could cause 'dry period' running.
- ✓ AL3000-6000 models can be refilled under pressure

TECHNICAL SPECIFICATIONS

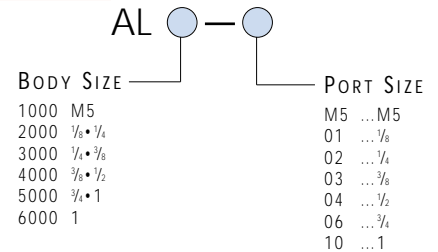
Model	AL1000	AL2000	AL3000	AL4000	AL5000	AL6000
Port size	M5x0.8	1/4 1/4	1/4 3/8	3/8 1/2	3/4 1	1
Flow Rate ℓn/min	95	800	1700	5000	7000	7500
Max. supply pressure MPa	1.5					
Max. operating pressure MPa	0.99					
Min. operating flow ℓn/min*	4	15	1/4: 30 3/8: 40	3/8: 40 1/2: 50	190	220
Bowl capacity cm ³	7	25	50	130	130	130
Recommended oil	ISO VG32 (32 centi strokes @20°C)					
Ambient and media temperature	-5 ~ +60° (avoid freezing)					
Bowl material	Polycarbonate					
Accessory (standard)	Bowl guard	-	Optional	•	•	•

*Conditions: Supply pressure - 0.5MPa Number of DROPS - 5 drops/min. ISOVG32, 20°C
Max. flow data @ 0.5 MPa supply 0.03MPa pressure drop
For larger sizes see High Flow Series AL

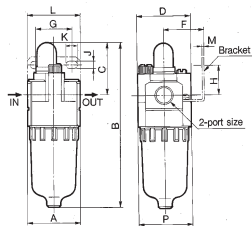
SYMBOLS



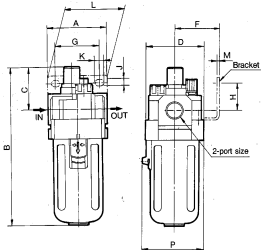
HOW TO ORDER LUBRICATOR



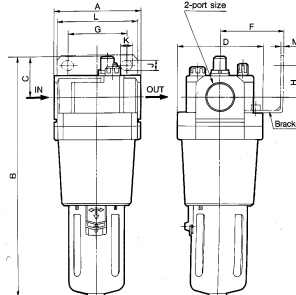
DIMENSIONS AL1000 • AL2000



DIMENSIONS AL3000 • AL4000



DIMENSIONS AL5000 • AL6000



Model	A	B	C	D	F	G	H	J	K	L	M	P	B*
AL1000	25	81.5	25.5	25	-	-	-	-	-	-	-	27	-
AL2000	40	122	38	40	30	27	22	5.4	8.4	40	2.3	40	-
AL3000	53	142	38	53	41	40	23	6.5	8	53	2.3	56	324
AL4000	70	177	41	70	50	54	26	8.5	10.5	70	2.3	73	334
AL5000	90	254	45	90	70	66	35	11	13	90	3.2	90	336
AL6000	95	268	45	95	70	66	35	11	13	90	3.2	95	336

*With metal bowl and sight glass

STOCKED PRODUCTS FOR A LIST OF STOCKED PRODUCTS, PLEASE SEE THE CURRENT SMC PRICE LIST

OPTION

*AL3000-6000 with 1 litre metal bowl with sight glass order with suffix -1.

ACCESSORIES LUBRICATOR

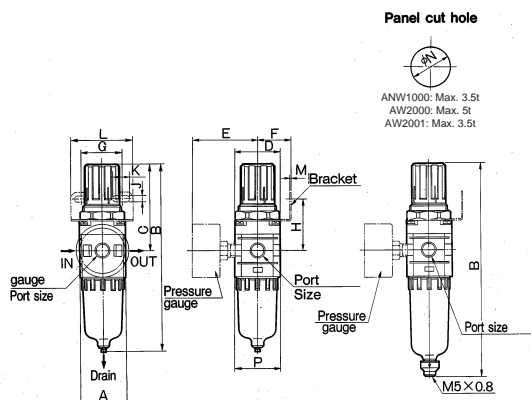
- Bracket
- B240AAL2000
- B340AAL3000
- B440AAL4000
- B640AAL5000/6000

STOCKED PRODUCTS FOR A LIST OF STOCKED PRODUCTS, PLEASE SEE THE CURRENT SMC PRICE LIST

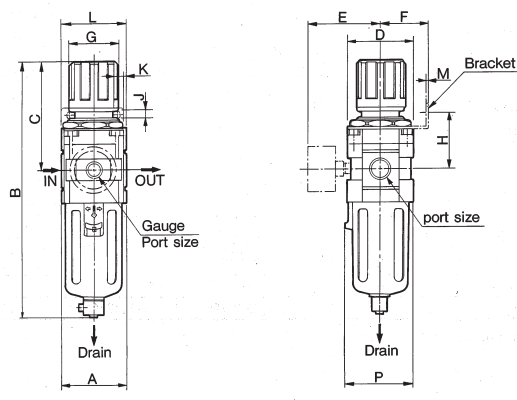


FOR FURTHER TECHNICAL
DETAILS ON THIS
PRODUCT REQUEST
CATALOGUE REFERENCE
E5G

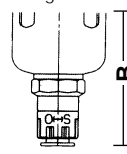
DIMENSIONS
AW1000•2000



DIMENSIONS
AW 3000•4000



With Auto Drain (N.O. float type) with one touch fitting for 10mm O.D. tube with additional manual discharge.



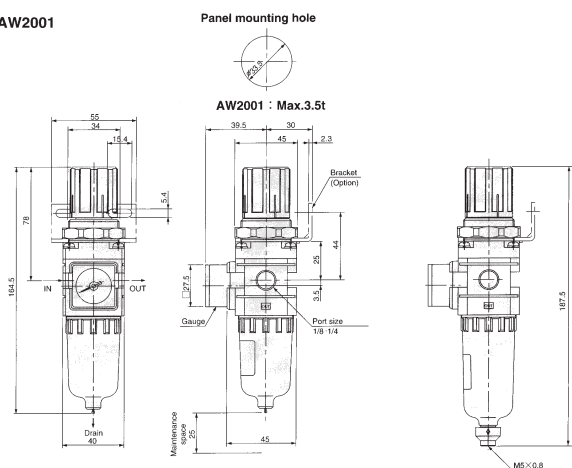
With Auto Drain
(Differential pressure type)

MODEL	A	B	C	D	E	F	G	H	J	K	L	M	ØN	P	With auto drain	
															B	Type
AW1000	25	109.5	50.5	25	26	25	28	30	4.5	6.5	40	2.0	20.5	28	86.5	Differential pressure
AW2000	40	164.5	78	40	56.8	30	34	45	5.4	15.4	55	2.3	33.5	40	120.5	Differential pressure
AW3000	53	211	92.5	53	60.8	41	40	46	6.5	8.0	53	2.3	42.5	56	248.5	Float
AW4000	70	262.5	112	70	70.5	50	54	54	8.5	10.5	70	2.3	52.5	73	300	Float

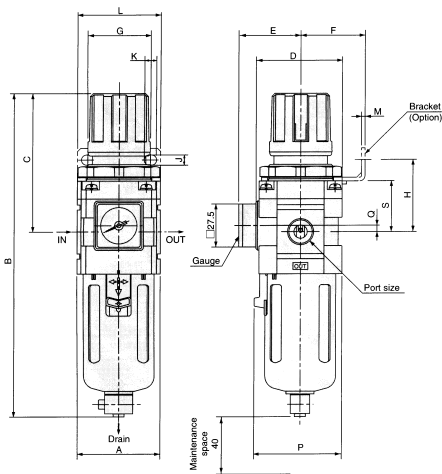
Air Preparation

DIMENSIONS
AW2001

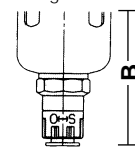
AW2001



DIMENSIONS
AW3001 - 4001



With Auto Drain (N.O. float type) with one touch fitting for 10mm O.D. tube with additional manual discharge.



With differential pressure type auto drain

MODEL	A	B	C	D	E	F	G	H	J	K	L	M	ØN	P	With auto drain	
															B	Type
AW2001	40	164.5	78	40	56.8	30	34	45	5.4	15.4	55	2.3	33.5	40	120.5	Differential pressure
AW3001	53	211	92.5	53	60.8	41	40	46	6.5	8.0	53	2.3	42.5	56	248.5	Float
AW4001	70	262.5	112	70	70.5	50	54	54	8.5	10.5	70	2.3	52.5	73	300	Float



FOR FURTHER TECHNICAL
DETAILS ON THIS
PRODUCT REQUEST
CATALOGUE REFERENCE
E5G

TECHNICAL SPECIFICATIONS

Model	AFM2000	AFM3000	AFM4000	AFM4000-06
Port size	1/8 1/4	1/4 3/8	1/4 3/8 1/2	3/4
Flow rate (l/min)*	200	450	1100	1100
Max. supply pressure MPa	1.5			
Max. operating pressure MPa	1.0			
Min. operating pressure MPa	0.05			
Bowl material	Polycarbonate			
Accessory (standard)	Bowl guard			

0.7MPa supply, 0.01 MPa pressure drop (new)

MIST SEPARATOR SERIES AFM

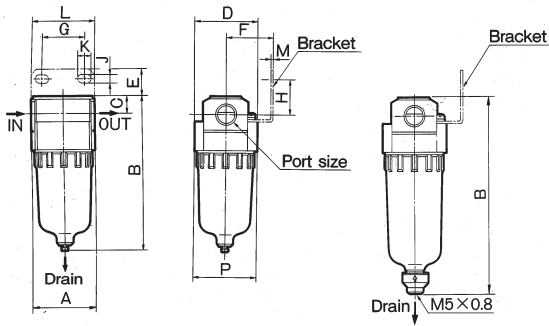
- ✓ Port Size 1/8 - 3/4" Rc
- ✓ Removes more than 99.9% of oil mist
- ✓ 0.3µm filter element
- ✓ Quick release metal bowl guard on sizes 3000-4000
- ✓ Automatic or manual drain

Mist Separators are also available in larger port sizes - see:
Filters: High Efficiency



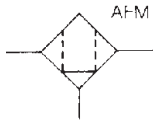
DIMENSIONS

MIST SEPARATOR AFM2000

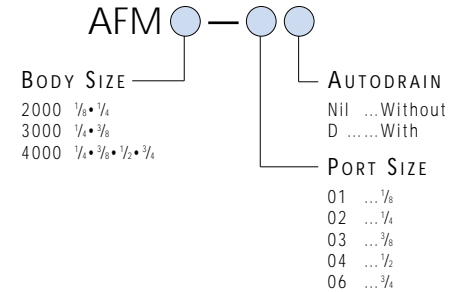


With Auto Drain
(Differential pressure type)

SYMBOLS



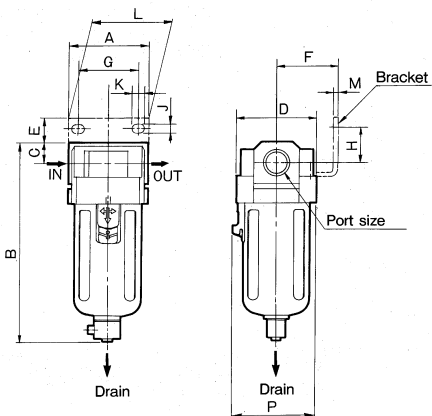
HOW TO ORDER MIST SEPARATOR



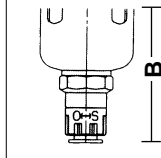
STOCKED PRODUCTS
FOR A LIST OF STOCKED PRODUCTS,
PLEASE SEE THE CURRENT SMC PRICE LIST

DIMENSIONS

MIST SEPARATOR AFM3000 • 4000



With Auto Drain (N.O. float type) with one touch fitting for 10mm O.D. tube with additional manual discharge.



ACCESSORIES MIST SEPARATOR

Filter Element	
630611 AFM2000
630617 AFM3000
630623 AFM4000 / 4000-06
Filter Elements should be changed after 1 year or when a pressure drop of 1 Bar is reached.	
Bracket	
B240A AFM2000
B340A AFM3000
B440A AFM4000
B540A AFM4000-06

STOCKED PRODUCTS
FOR A LIST OF STOCKED PRODUCTS,
PLEASE SEE THE CURRENT SMC PRICE LIST

Model	Port size	A	B	C	D	E	F	G	H	J	K	L	M	P	With auto drain	
															B	Type
AFM2000	1/8 1/4	40	97.5	11	40	17	30	27	22	5.4	8.4	40	2.3	40	120.5	Differential pressure
AFM3000	1/4 3/8	53	132.5	14	53	16	41	40	23	6.5	8	53	2.3	56	170	Float type
AFM4000	1/4 3/8 1/2	70	168.5	18	70	17	50	54	26	8.5	10.5	70	2.3	73	206	Float type
AFM4000-06	3/4	75	172.5	20	70	14	50	54	25	8.5	10.5	70	2.3	73	210	Float type



SEE INSIDE FRONT COVER FOR
DETAILS OF YOUR LOCAL SALES OFFICE



FOR FURTHER TECHNICAL
DETAILS ON THIS
PRODUCT REQUEST
CATALOGUE REFERENCE
E5G

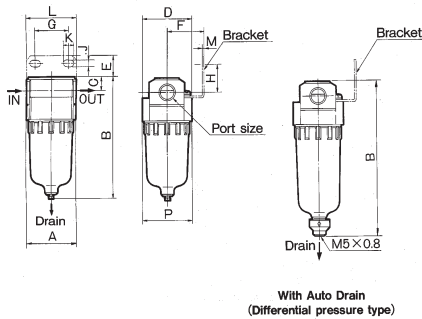
MICRO-MIST SEPARATOR SERIES AFD

- ✓ Port Size 1/8 - 3/4" Rc
- ✓ Removes more than 99.9999% of oil mist
- ✓ 0.01µm filter element
- ✓ Quick release metal bowl guard on sizes 3000-4000
- ✓ Automatic or manual drain



Micro-Mist Separators are also available in larger port sizes - see: Filters: High Efficiency

DIMENSIONS MICRO MIST SEPARATOR AFD2000

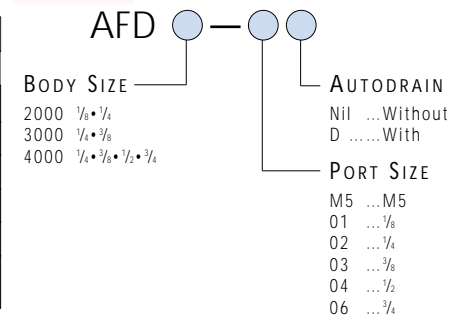


TECHNICAL SPECIFICATIONS

Model	AFD2000	AFD3000	AFD4000	AFD4000-06
Port size	1/8 1/4	1/4 3/8	1/2 3/4	3/4
Flow rate l/min*	120	240	600	600
Max. supply pressure MPa	1.5			
Max. operating pressure MPa	1.0			
Min. operating pressure MPa	0.05			
Bowl material	Polycarbonate (with metal bowl guard)			
Accessory (standard)	Bowl guard	Optional	•	•

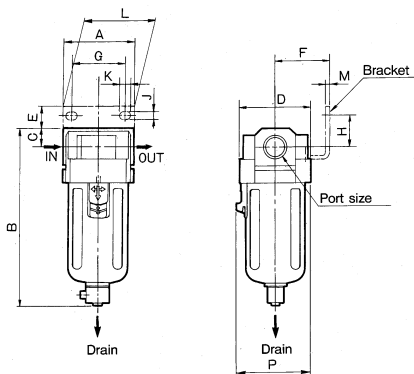
0.7 MPa supply, 0.01MPa pressure drop (new)

HOW TO ORDER MIST SEPARATOR

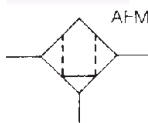


STOCKED PRODUCTS FOR A LIST OF STOCKED PRODUCTS, PLEASE SEE THE CURRENT SMC PRICE LIST

DIMENSIONS MIST SEPARATOR AFD3000•4000



SYMBOLS



ACCESSORIES MICRO MIST SEPARATOR

Filter Element	63092	AFD2000
	63093	AFD3000
	63094	AFD4000 / 4000-06
Filter Elements should be changed after 1 year or when a pressure drop of 1 Bar is reached.		
Bracket	B240A	AFD2000
	B340A	AFD3000
	B440A	AFD4000
	B540A	AFD4000-06

STOCKED PRODUCTS FOR A LIST OF STOCKED PRODUCTS, PLEASE SEE THE CURRENT SMC PRICE LIST

Model	Port size	A	B	C	D	E	F	G	H	J	K	L	M	P	With auto drain	
															B	Type
AFD2000	1/8 1/4	40	97.5	11	40	17	30	27	22	5.4	8.4	40	2.3	40	120.5	Differential pressure
AFD3000	1/4 3/8	53	132.5	14	53	16	41	40	23	6.5	8	53	2.3	56	170	Float type
AFD4000	1/4 3/8 1/2	70	168.5	18	70	17	50	54	26	8.5	10.5	70	2.3	73	206	Float type
AFD4000-06	3/4	75	172.5	20	70	14	50	54	25	8.5	10.5	70	2.3	73	210	Float type



FOR FURTHER TECHNICAL
DETAILS ON THIS
PRODUCT REQUEST
CATALOGUE REFERENCE
E5G

Air Preparation

PRECISION REGULATOR SERIES IR1000~3000

- ✓ Compact and lightweight
- ✓ High relief flow capacity
- ✓ High setting accuracy
- ✓ Fine adjustment
- ✓ Suitable for stand alone use
- ✓ Modular design for integration into modular air preparation assemblies (IR1000 fits AC2000, IR2000 fits AC3000, IR3000 fits AC4000)
- ✓ Clean room options to order
- ✓ Pressure gauge mounting front/rear

NOTE: This product will be released during 1998. Please contact your SMC Regional Centre for the latest information.

FURTHER INFORMATION ON THIS PRODUCT CAN BE FOUND IN THE INSTRUMENTATION SECTION OF THIS CATALOGUE



ELECTRO PNEUMATIC REGULATOR SERIES ITV1000~3000

- ✓ Air consumption is near zero L/min (ANR) at desired set pressure (balanced condition)
- ✓ Zero/span adjustment is possible with no air pressure supplied
- ✓ Easy to read LED with choice of 5 units of measure
- ✓ 4 input current/voltage range options
- ✓ Three monitor output options - analogue or switched (NPN or PNP)
- ✓ Plug in wiring with removable cable (straight or right angle plug)
- ✓ Needs only 5µm filtration, instrumentation quality air not required
- ✓ IP65 protection standard (IEC529)
- ✓ Same mounting dimensions as IT series (same bracket) for stand alone use with threaded ports.
- ✓ Modular design for integration with modular air preparation assemblies AC2000, AC3000, AC4000
- ✓ 3 pressure output options, 0.1MPa, 0.5Mpa, 0.9MPa
- ✓ Clean room option
- ✓ Gauge Port as standard
- ✓ Tapped exhaust port

NOTE: This product will be released during 1998. Please contact your SMC Regional Centre for the latest information.

FURTHER INFORMATION ON THIS PRODUCT CAN BE FOUND IN THE INSTRUMENTATION SECTION OF THIS CATALOGUE



(ITV2000 Shown)



SEE INSIDE FRONT COVER FOR
DETAILS OF YOUR LOCAL SALES OFFICE



FOR FURTHER TECHNICAL
DETAILS ON THIS PRODUCT
CONTACT YOUR LOCAL
REGIONAL CENTRE