

## FEATURES AND SPECIFICATIONS

### Features and Benefits

- Patented new integral Terminal Position Assurance (TPA) on mated male and female terminal
- Virtually eliminates terminal backout
- Wire-to-wire and wire-to-board connector system
- Polarized housing assures proper mating
- Terminals are fully isolated in housing
- Positive latch reduces accidental disengagement from plug

### Reference Information

Product Specification: PS-44441-9999  
 Packaging: Bag  
 UL File No.: E29179 and UL1950  
 CSA File No.: LR19980  
 Use With: 43375 terminal  
 Mates With: 43160 header and 43680 plug  
 Designed In: Inches

### Electrical

Voltage: 1000V  
 Current: 18.0A\*  
 Insulation Resistance: 1000 MΩ min.

### Mechanical

Contact Insertion Force: 2 lb max.  
 Contact Retention to Housing: 20 lb min.

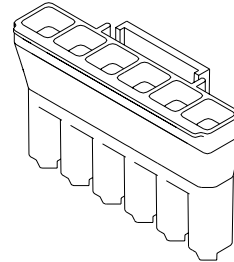
### Physical

Housing: Nylon, 94V-0  
 Operating Temperature: -40 to +75°C

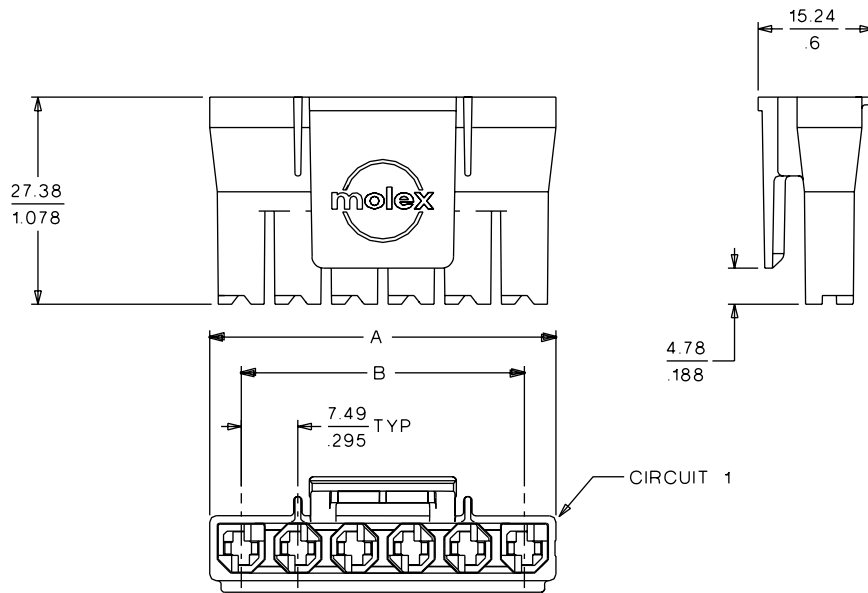
\* Depending on circuit size, wire gauge and PCB. Please refer to product specification.

# molex® 7.50mm (.295") Pitch Sabre™ Receptacle

## 44441 Single Row



## CATALOG DRAWING (FOR REFERENCE ONLY)



## ORDERING INFORMATION AND DIMENSIONS

Circuits	Order No.	Dimension	
		A	B
2	44441-2002	15.82 (.623)	7.49 (.295)
3	44441-2003	23.32 (.918)	14.99 (.590)
4	44441-2004	30.81 (1.213)	22.48 (.885)
5	44441-2005	38.30 (1.508)	29.97 (1.180)
6	44441-2006	45.80 (1.803)	37.47 (1.475)