



Legend plates + Inserts

Farnell
Technical
Data
Service

Order Code 175-715 TO 175-724

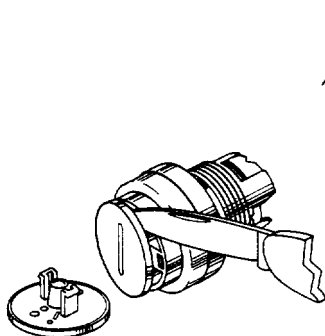
Legend plates

Legend plates – comprising label mount and label insert – form a supplementary means of identification for control circuit devices. Available in grey and black, they are suitable for both round, and round-on-square designs. Two types are available, each with a different amount of space for the inscription. The 40 mm and 50 mm high label mounts have aluminium-coated plastic labels.

Corresponding label mounts are also available for double push-buttons. The symbols can be either engraved or hot stamped. As with the button plates, standard inscriptions or symbols are readily available, while non-standard plates can be made to order. The label can be changed at any time without removing the label mount.

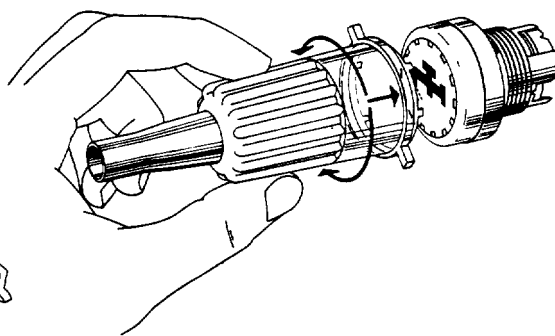


Changing legend plates



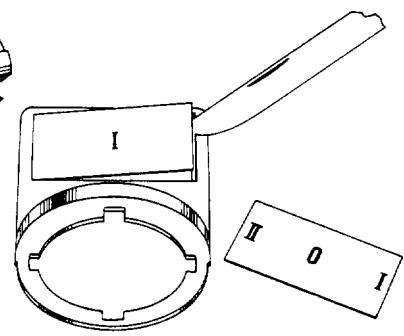
Button plates

Lever out the plate, using a screwdriver or a knife. Simply press in the new plate.



Insert plates

Unscrew the lens assembly and remove the insert plate. Insert the new plate and screw the lens back on.



Legend plates

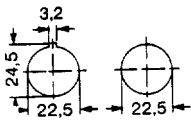
Remove the legend plate with a sharp tool. Just clip in the new plate and the job's done!

Farnell Electronic Components Limited

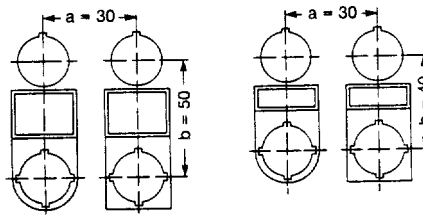
Sales (0532) 636311, Technical (0532) 799123, Dataline (0532) 310160, Fax (0532) 633411, Telex 55147

Dimensions

Mounting holes with/without lug-slot



Minimum grid dimensions



Exceptions

- Distance $a \geq 33$ mm RPV emergency-stop button
- 35 mm Mushroom push-button
- 35 mm Key-release mushroom button
- 32 mm Double push-button with diaphragm
- 32 mm Push-button with diaphragm
- Distance $b \geq 50$ mm EC 11 contact element
- 41 mm Push-button with diaphragm
- 44 mm Double push-button with diaphragm