

D Sub Connectors

Metal EMI Junction Shell

3357-92XX Series



- Provides EMI/ESD protection similar to aluminium die cast
- Easy assembly reduces time and labor to ensure low applied cost
- Optional thumbscrew kit
- Provides option in grounding for discrete wire applications
- Light weight, compact design

TS-0036-11
Sheet 1 of 2

Date Modified: February 19, 1999

15

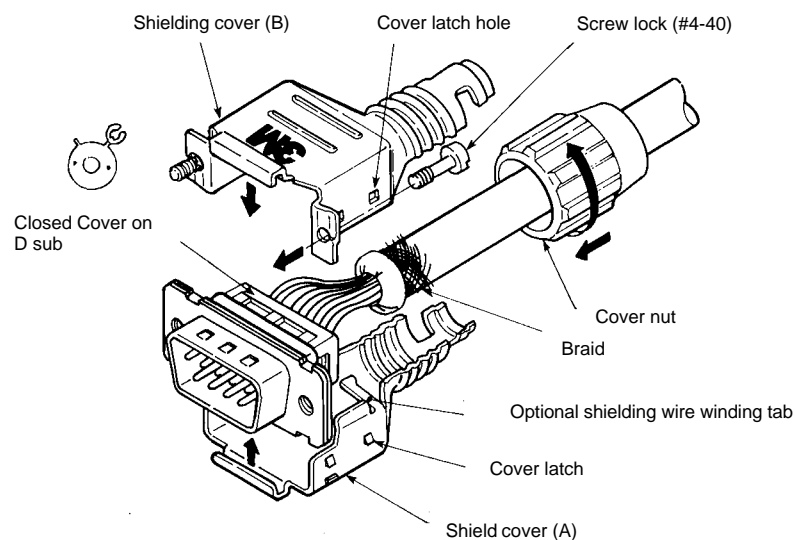
Physical

Shell and Hardware

Material: Steel
Plating: Nickel

Cover Nut

Material: Glass Filled Polyester (PBT)
Flammability: UL 94V-0
Color: Black



3M Interconnect Solutions Division

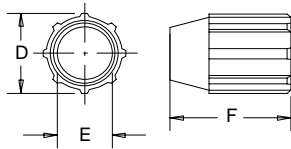
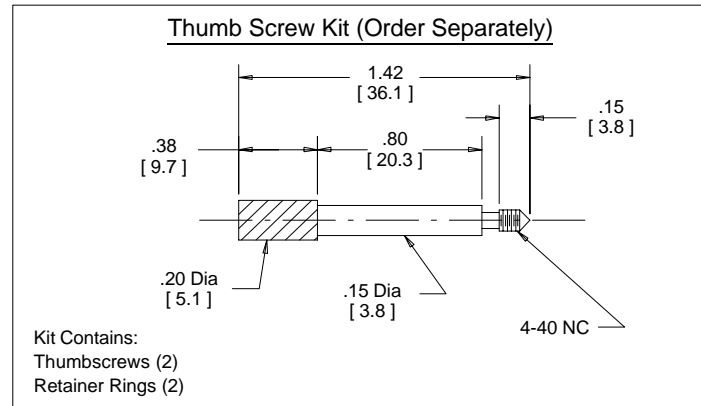
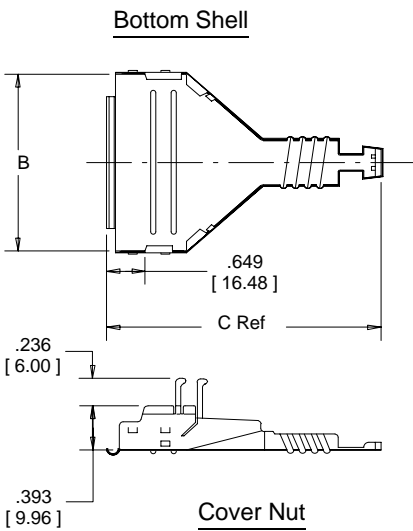
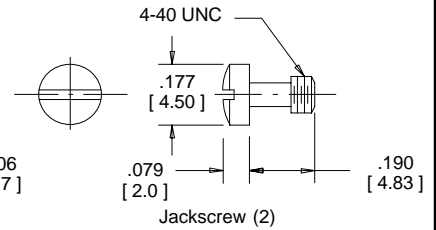
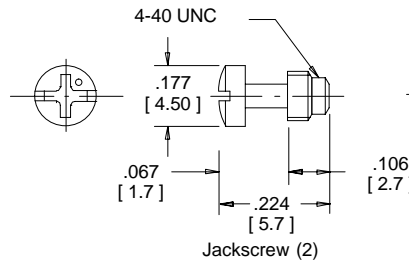
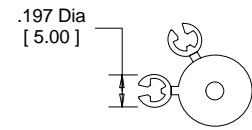
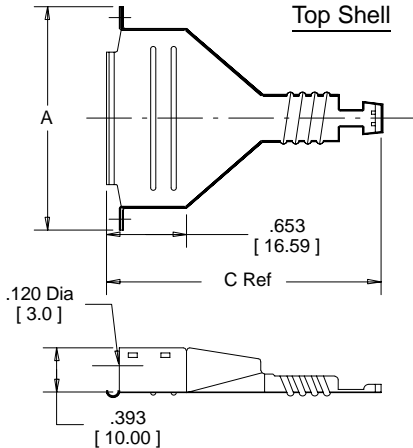
6801 River Place Blvd.
Austin, TX 78726-9000

For technical, sales or ordering information call
800-225-5373

D Sub Connector Metal EMI Junction Shell

3357-92XX Series

| Connector Size | Dimensions | | | | | |
|----------------|---------------|---------------|---------------|---------------|---------------|---------------|
| | A | B | C Ref | D | E [± .03] | F |
| 09 | 1.18 [30.0] | 0.76 [19.3] | 1.65 [41.9] | 0.53 [13.5] | 0.28 [7.1] | 0.75 [19.1] |
| 15 | 1.50 [38.1] | 1.08 [27.4] | 1.95 [49.5] | 0.53 [13.5] | 0.37 [9.4] | 0.75 [19.1] |
| 25 | 2.05 [52.1] | 1.63 [41.4] | 2.24 [56.9] | 0.65 [16.5] | 0.43 [10.9] | 0.98 [24.9] |
| 37 | 2.68 [68.1] | 2.28 [57.9] | 2.76 [70.1] | 0.74 [18.8] | 0.50 [12.7] | 1.10 [27.9] |



**Inch
[mm]**

| Tolerance Unless Noted | | | |
|------------------------|------|-------|--------|
| | .0 | .00 | .000 |
| Inch | ± .1 | ± .01 | ± .005 |

[] Dimensions for Reference only

Ordering Information

**Junction Shell
3357-92XX**

**Thumb Screw Kit
3341-7**

**Retainer Ring
3808-ER**

Connector Size
09 = 9 Position
15 = 15 Position
25 = 25 Position
37 = 37 Position

TS-0036-11
Sheet 2 of 2

3M Interconnect Solutions Division

6801 River Place Blvd.
Austin, TX 78726-9000

For technical, sales or ordering information call
800-225-5373