

Identification
Differential

No. of contacts

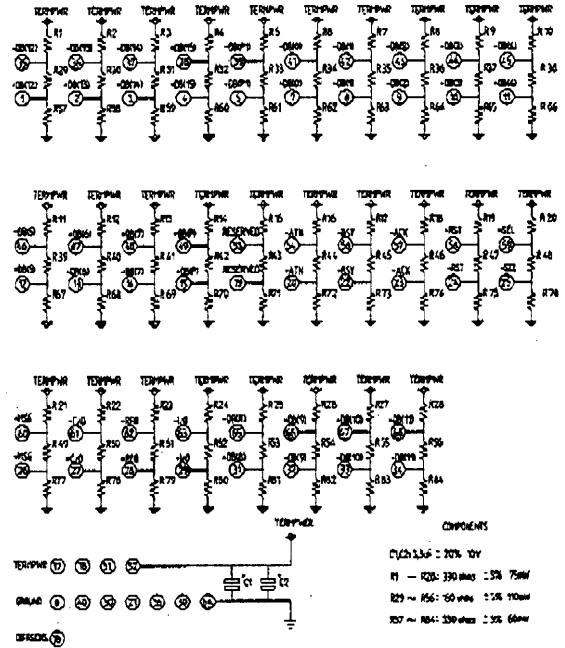
Part No.

Drawing

Dimensions in mm

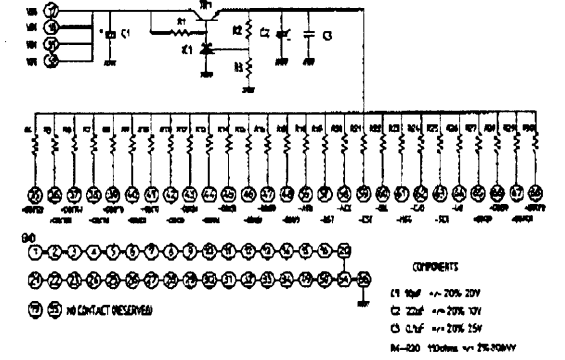


60 03 068 1004

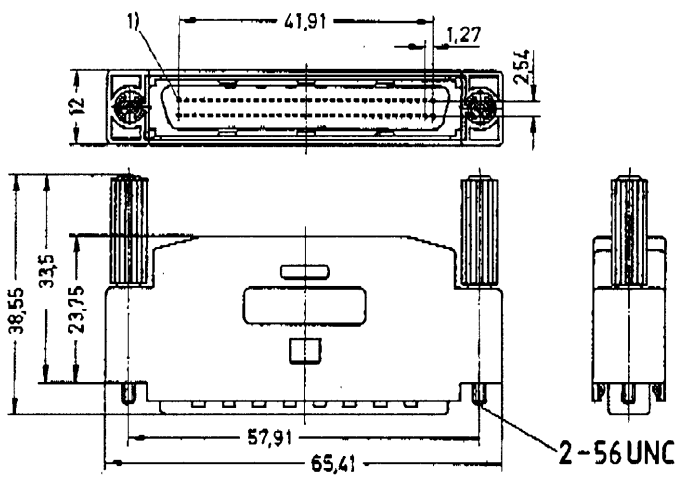


Single-end
alternative 2

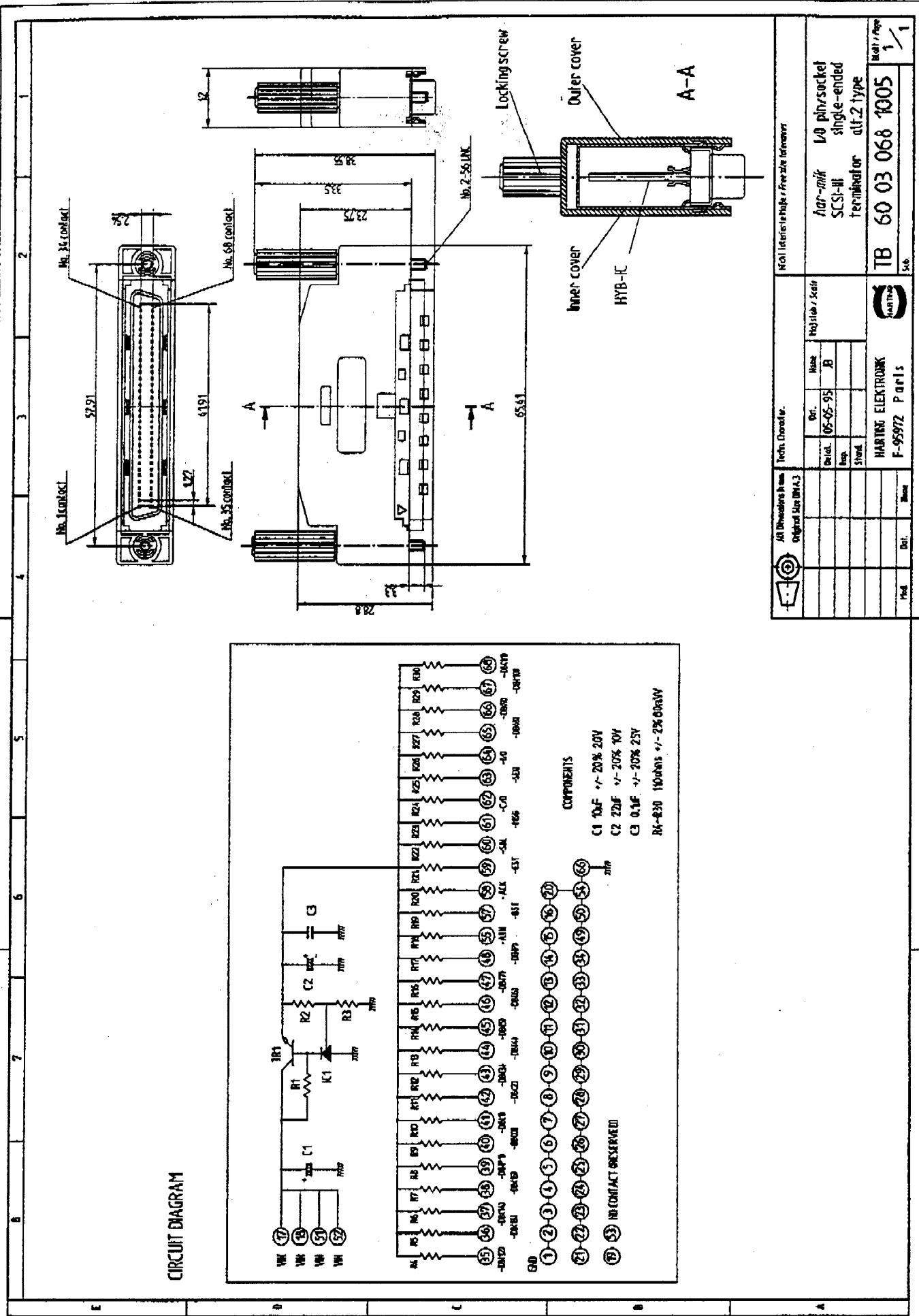
60 03 068 1005



Dimensions



1) Contact number 1



CIRCUIT DIAGRAM

COMPONENTS

- C1 10µF +/- 20% 20V
- C2 22µF +/- 20% 10V
- C3 0.1µF +/- 20% 25V
- R1-R20 100ohms +/- 2% 0.25W

All dimensions in mm Original Size DIM A.3		Tech. Character.		Mol. Identifier / Holder / Pre-size Identifier	
Part No.	Rev.	Issue	Issue	Part No.	Rev.
	06-05-95	B		TB 60 03 068 1005	1/1
HARRING ELECTRONIK F-95972 Paris					
10 pin socket SCS-III single-ended terminated att.2 type					