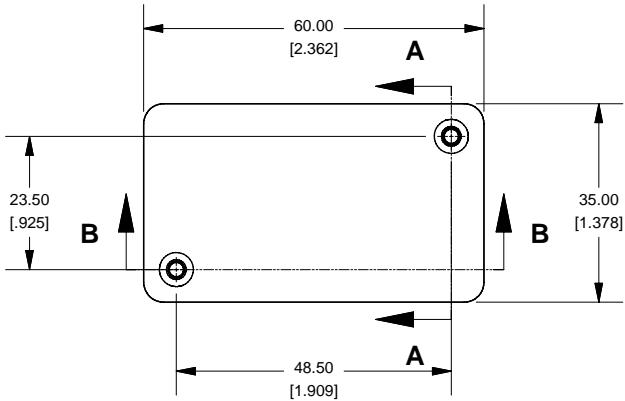
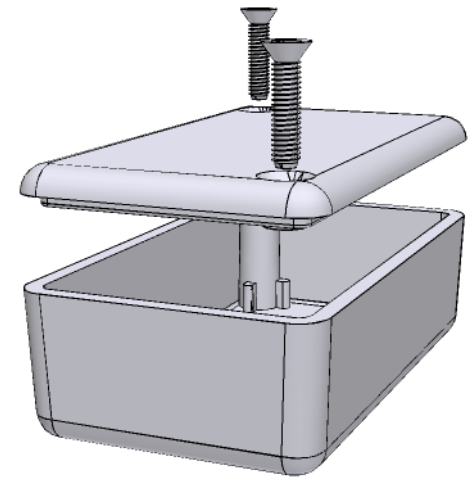
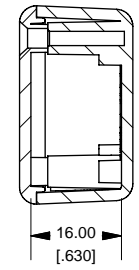


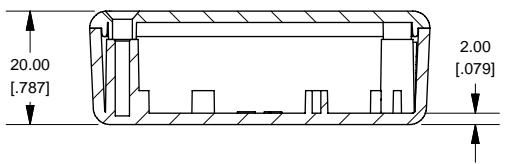
Top View of Assembly



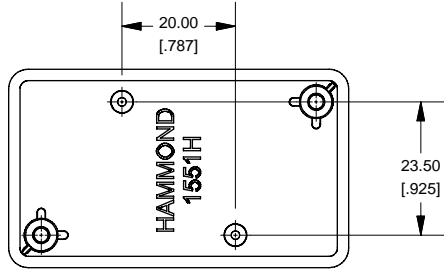
SECTION A-A End View of Assembly



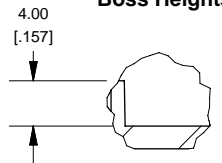
SECTION B-B Side View of Assembly



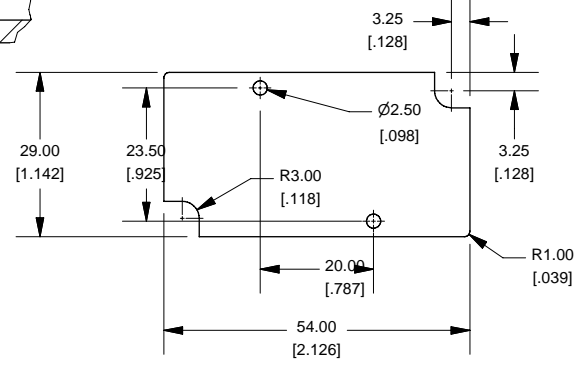
Top View Looking Inside Box



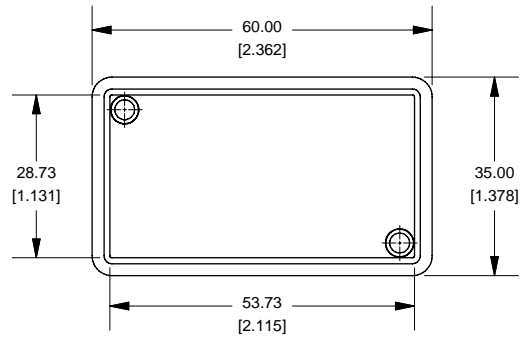
SECTION C-C Boss Heights



Maximum P.C. Board Size

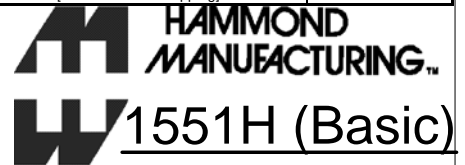


Lid



NOTE
Purchased assembly includes lid and box made from GP ABS material and cover screws.

| 1551H | |
|--|-------------|
| 1551H Flange Enclosure | |
| Black Enclosure - RAL 7001 - UL94 - HB | 1551HGBK |
| Gray Enclosure - RAL 7035 - UL94 - HB | 1551HGY |
| Translucent Blue - UL94 - HB | 1551HTBU |
| ACCESSORIES | |
| Black Enclosure Cover Screws (Pkg 100) [#4 X 1/2" Self Tapping] | 1591TS100BK |
| Grey Enclosure Cover Screws (Pkg 100) [#4 X 1/2" Self Tapping] | 1591TS100 |
| P.C. Board Screws (Pkg 100) [32 x 3/16" Self Tapping] | 1551ATS100 |



www.hammondmfg.com