

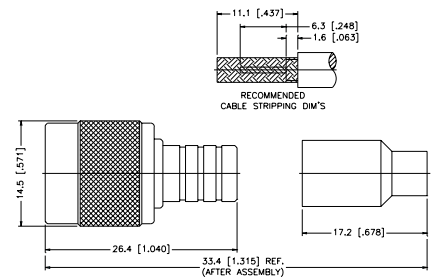
All connector bodies, unless otherwise noted, are nickel plated. Center contacts are 3µ" gold plated. Insulators are Delrin, unless otherwise noted. Silver plating and Teflon insulators are available on virtually all TNC connectors. Please contact Amphenol for samples and quotes. All dimensions in millimeters and [inches].

Plug Crimp Attachment for Flexible Cable

Straight Crimp plug - Single crimp - Standard Cable

| P.N. | Cable Group | Plt. | Ins. | Imp. | Crimp Tool |
|-------------------|-------------|--------|--------|------|------------|
| T1111K1-ND3G-1-50 | 01 | Nickel | Delrin | 50 | 5 |
| T1111K1-ND3G-3-75 | 03 | Nickel | Delrin | 75 | 5 |

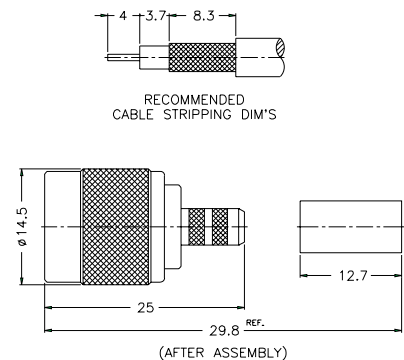
Remark: Only for solid center conductor cable



Assembly Instruction J - page 218

Straight Crimp Plug - Standard Cable

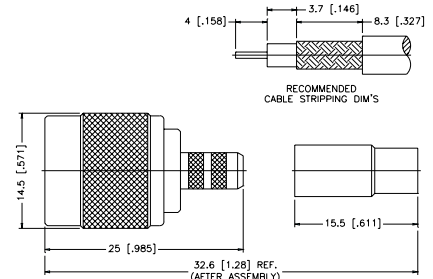
| P.N. | Cable Group | Plt. | Ins. | Imp. | Crimp Tool |
|------------------------|-------------|--------|--------|------|------------|
| T1121A1-ND3G-1-50 | 01 | Nickel | Delrin | 50 | 3 |
| T1121A1-ND3G-1A-50 | 01A | Nickel | Delrin | 50 | 3 or 4 |
| T1121A1-ND3G-1B-50 | 01B | Nickel | Delrin | 50 | 3 or 4 |
| T1121AA-ND3G-3-50 | 03 | Nickel | Delrin | 50 | 4 |
| T1121AA-ND3G-3-75 | 03 | Nickel | Delrin | 75 | 4 |
| T1121A1-ND3G-3A-75 | 03A | Nickel | Delrin | 75 | 4 |
| T1121A6-NT3G-7-50 | 07 | Nickel | Teflon | 50 | 4 + 5 |
| T1121A6-NT3G-7A-50 | 07A | Nickel | Teflon | 50 | 4 + 6 |
| T1121A1-NT3G-7B-50 | 07B | Nickel | Teflon | 50 | 4 |
| T1121A6-NT3G-7C-50 | 07C | Nickel | Teflon | 50 | 6 |
| T1121A1-ND3G-8-75 | 08 | Nickel | Delrin | 75 | 5 |
| T1121A1-ND3G-15-75 | 15 | Nickel | Delrin | 75 | 5 |
| T1121A1-019-NT3G-17-50 | 17 | Nickel | Teflon | 50 | .610 hex |



Assembly Instruction J - page 218

Straight Crimp Plug - Plenum Cable

| P.N. | Cable Group | Plt. | Ins. | Imp. | Crimp Tool |
|-----------------------|-------------|--------|--------|------|------------|
| T1121C1-001-ND3G-2-50 | 02 | Nickel | Delrin | 50 | 3 or 4 |



Assembly Instruction J - page 218