

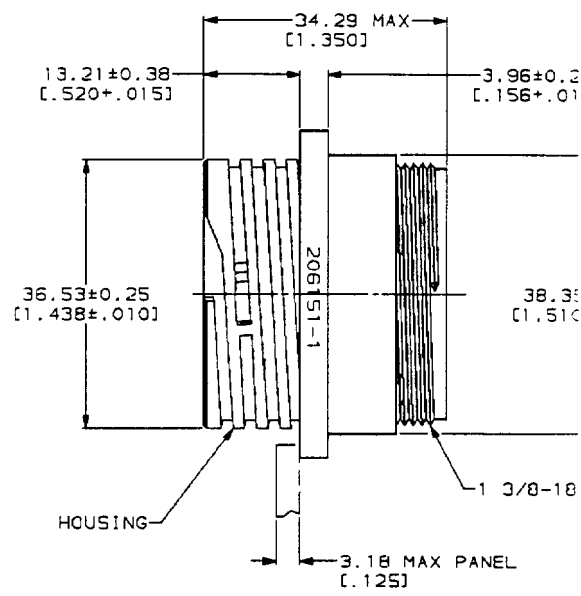
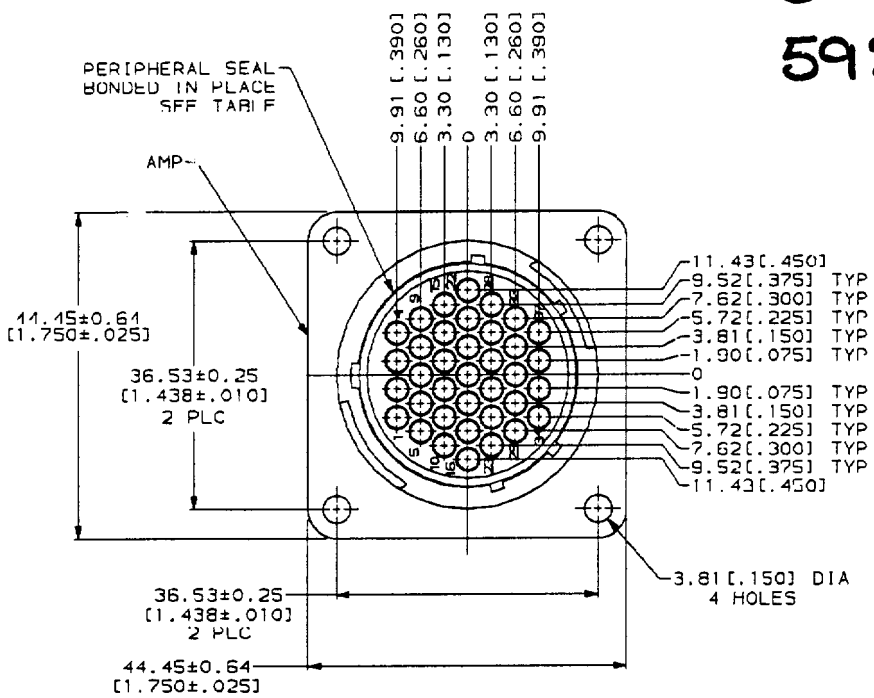
8 7 6 5 0

DRAWING MADE IN THIRD ANGLE PROJECTION

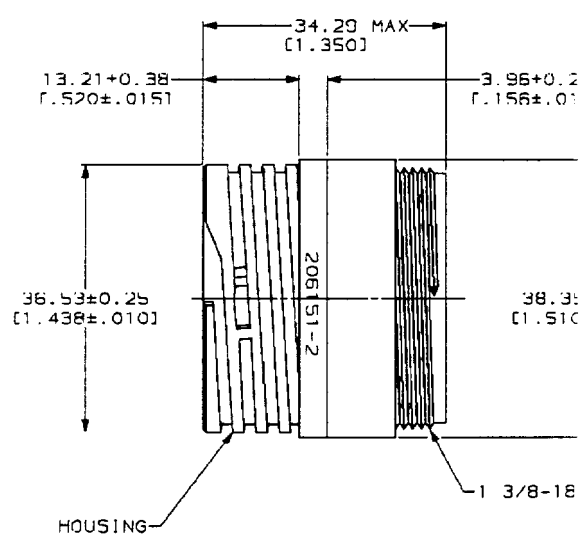
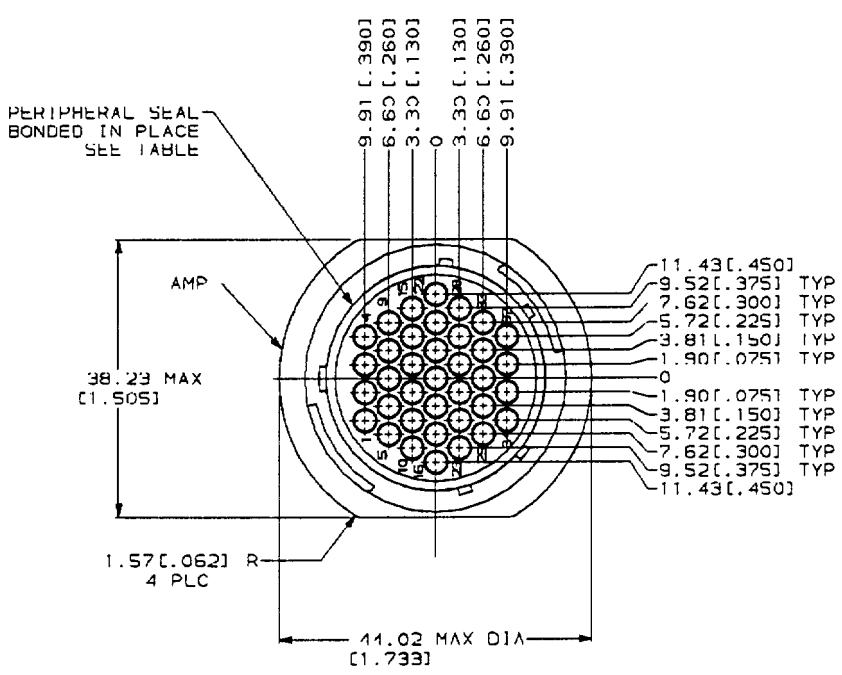
THIS DRAWING IS UNPUBLISHED. RELEASED FOR PUBLICATION .19

© COPYRIGHT 19 BY AMP (INCORPORATED). ALL INTERNATIONAL RIGHTS RESERVED.

589 676
592 845.



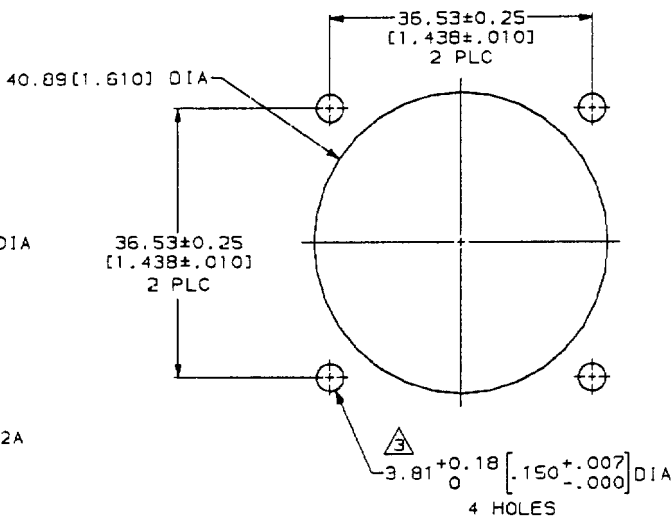
DETAIL A



DETAIL B

1. CAVITY IDENTIFICATION ON FRONT AND REAR FACE.
 2. WILL ACCEPT THIRTY-SEVEN (37) MULTIMATE PIN CONTACTS.
3. NO 4 FASTENER RECOMMENDED FOR MOUNTING.

REV	DATE	DESCRIPTION	DATE	APPD
H	07/07/93	RECDRAWN ON CAD, ADDED -3 NPR 4832 AND OBSOLETE -4 PER EC 0020-271-93		-
J	12/06/94	REACTIVATE -3,-4 PER EC 0020-1075-94		AF



SMALL PACK	NO	A	206151-5
STANDARD	YES	B	206151-1
STANDARD	YES	A	206151-3
STANDARD	NO	B	206151-2 X
STANDARD	NO	A	206151-1

PACKAGING PERIPHERAL SEAL SEE DETAIL PART NO

DO NOT SCALE PRINT. UNLESS SPECIFIED DIMENSIONS IN MM (INCHES) TOLERANCES ON: 2 PLC DEC ± 0.13 (.005) 3 PLC DEC ± - ANGLE ± -	DR 01/26/93 D. GELTZ	AMP AMP Incorporated Harrisburg, PA 17105-3608
	CHK 08/11/93 H. SIONE	
MATERIAL HOUSING: NYLON, RI ACK SEAL: ELASTOMER, GREY	APPD 08/13/93 A. FRANTUM	NAME RECEPTACLE HOUSING, STANDARD SEX, SHELL SIZE 23, CPC
FINISH	APPD 08/13/93 A. FRANTUM	
THIS DRAWING IS A CONTROLLED DOCUMENT FOR AMP INCORPORATED. IT IS SUBJECT TO CHANGE AND THE CONTROLLING ENGINEERING ORGANIZATION SHOULD BE CONTACTED FOR THE LATEST REVISION.	PRODUCT SPEC 108-10021	SIZE D CAGE CODE 00779 DRAWING NO C-206151
	APPLICATION SPEC -	SCALE 2:1 SHEET 1 OF 1
	WEIGHT -	

CUSTOMER DRAWING