



SOFT-CASE

[Home Page](#)
[E-Mail Us](#)
[Get a Catalogue](#)
[Catalogue PDF](#)
[Get Free Sample](#)
[Get a Drawing](#)
[Get a Price](#)
[Get a Quote](#)
[Customising](#)
[EMC Shielding](#)
[Material Specs](#)
[Colour Chart](#)
[IP Ratings](#)
[UL 94 Fire Class](#)
[Ordering Info](#)

01489 583858

01489 583836

FEATURES:

- Handy 'wide-format' pocket size cases in four standard sizes
- Ergonomic design for maximum user comfort
- Top recess for mounting a membrane keypad or LCD module
- Raised connector mounting panel on the wide edge to accommodate more connections
- Three types of intermediate rings:
 - ABS rings, in case colour or chromated, for additional height
 - Soft TPE ring for additional height, plus IP 54 sealing, and protection of the outside edges from bumps and knocks
- Battery compartments for 2 x 1.5V AAA, 2 x 1.5V AA, 4 x 1.5V AA or 1 x 9V cells
- Clip-on battery lid can be screw fixed
- Internal PCB mounting pillars

MATERIALS:

- ABS (UL 94 HB)
- PMMA (UL 94 HB) - Infra-red models

PROTECTION CLASS:

- IP 54 (With TPE intermediate ring)

STANDARD COLOURS:

- Off-white, RAL 9002
- Lava grey, NCS s 7502-B
- Infra-red black, RAL 9005

ACCESSORIES:

- ABS off-white & lava intermediate ring
- Infra-red intermediate ring
- TPE intermediate protection ring
- Chromated intermediate ring
- Tilt Foot Bar
- Combi-Clip (Belt Clip & Wall Clip)
- Battery contacts

APPLICATIONS:

- Remote controls of all types, wireless or with cable connection. Measurement and digital control devices. Medical and laboratory equipment. Peripherals and interfaces.

[Printable Page](#)


Ergonomic Design - Great to hold!



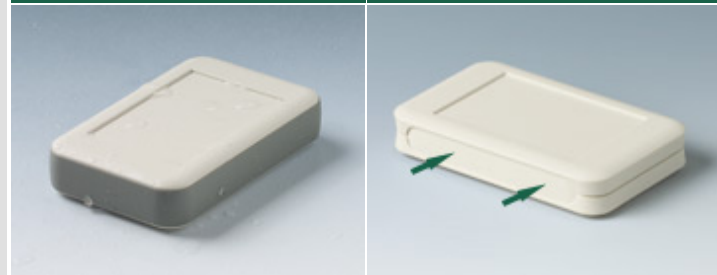
Four Useful Sizes

'Wide Format' Design



Infra-Red Models

Intermediate Rings



IP 54 Protection Class

Raised Connector Panel



Battery Compartments

Tilt Foot Bar



Combi-Clip - Belt Clip



Combi-Clip - Wall Clip

SOFT-CASE



Part No. Off-white	Part No. Lava Grey	Part No. Infra-Red	Type / Battery Compartment	L	W	H	Drawings
A9050107	A9050108	A9050209	SOFT-CASE S - No Batt. Comp't	51	83	14	PDF
A9051107	A9051108	A9051209	SOFT-CASE M - No Batt. Comp't	65	105	19	PDF
A9051117	A9051118	A9051219	SOFT-CASE M - 2 x AAA cells*	65	105	19	PDF
A9052107	A9052108	A9052209	SOFT-CASE L - No Batt. Comp't	73	116	24	PDF
A9052117	A9052118	A9052219	SOFT-CASE L - 2 x AA cells*	73	116	24	PDF
A9052127	A9052128	A9052229	SOFT-CASE L - 1 x 9V cell*	73	116	24	PDF
A9053107	A9053108	A9053209	SOFT-CASE XL - No Batt. Comp't	92	150	28	PDF
A9053117	A9053118	A9053219	SOFT-CASE XL - 4 x AA cells*	92	150	28	PDF

DWG

Notes:

* For cases with battery compartments, order battery contacts separately

INTERMEDIATE RINGS



For Type..	Part No. ABS Off-white*	Part No. ABS Lava*	Part No. PMMA Infra-Red*	Part No. ABS Chromated*	Part No. Protection Ring IP 54 - TPE*
SOFT-CASE S	A9150017	A9150018	A9150219	A9150011	A9150118
SOFT-CASE M	A9151017	A9151018	A9151219	A9151011	A9151118
SOFT-CASE L	A9152017	A9152018	A9152219	A9152011	A9152118
SOFT-CASE XL	A9153017	A9153018	A9153219	A9153011	A9153118

Notes:

* Intermediate rings increase case height by 3 mm for S, M & L , and 5 mm for XL

* Chromated - modern matt chrome finish

* TPE ring also provides bump protection and IP 54 sealing





ACCESSORIES

						
For Type..	Part No. Combi-Clip (Belt Clip & Wall Clip) Off-White*	Part No. Combi-Clip (Belt Clip & Wall Clip) Lava Grey*	Part No. Combi-Clip (Belt Clip & Wall Clip) Black*	Part No. Tilt Foot Bar Off-White*	Part No. Tilt Foot Bar Lava Grey*	Part No. Tilt Foot Bar Black
ALL	A9152047 £	A9152048 £	A9152049 £	A9152057 £	A9152058 £	A9152059 £

Notes:

- * Combi-Clip - Can be used as a Belt Clip and a Wall Clip. Requires two Ø 4.2 mm holes drilled in the base. Allows vertical orientation of S, M & L, and horizontal orientation of M & L
- * Tilt Foot Bar - Requires two Ø 4.2 mm holes drilled in the base - pre-moulded drilling centres provided

BATTERY CONTACTS

				
For..	Part No. Battery Contacts Kit 2 x 1.5 V AAA	Part No. Battery Contacts Kit 2 x 1.5 V AA	Part No. Battery Contacts Kit 1 x 9V	Part No. Battery Contacts Kit 4 x 1.5 V AA
M - with battery compartment	A9151010 £			
L - with battery compartment		A9152010 £	A9174006 £	
XL - with battery compartment				A9152010 £

 [Printable Page](#)



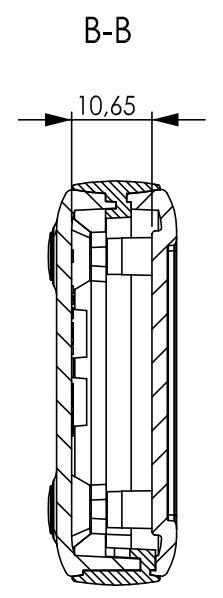
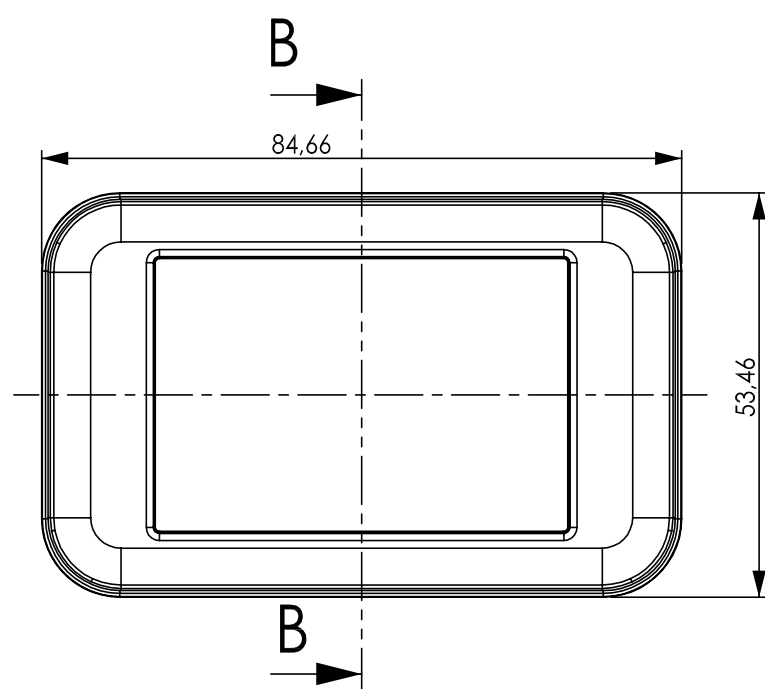
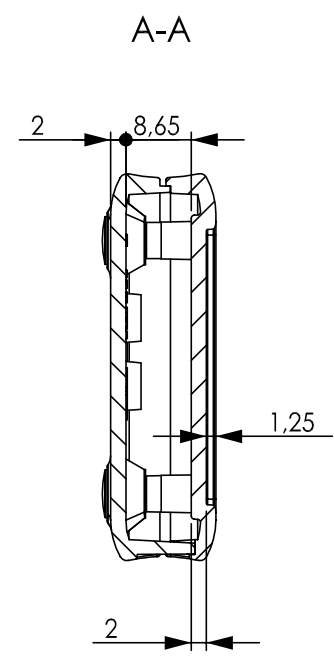
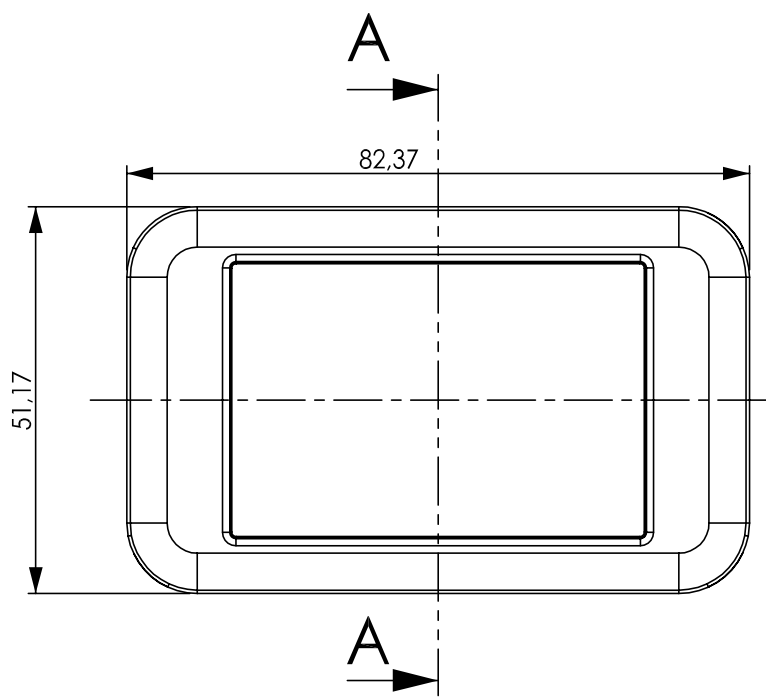
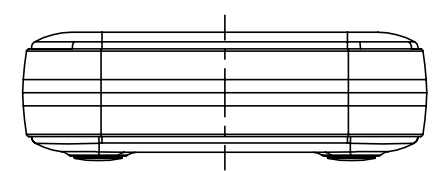
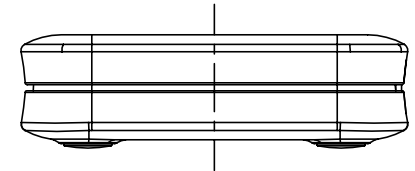
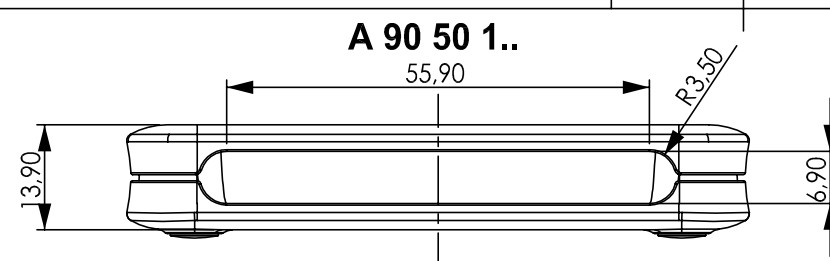
[Get a Sample](#)



[Get a Catalogue](#)

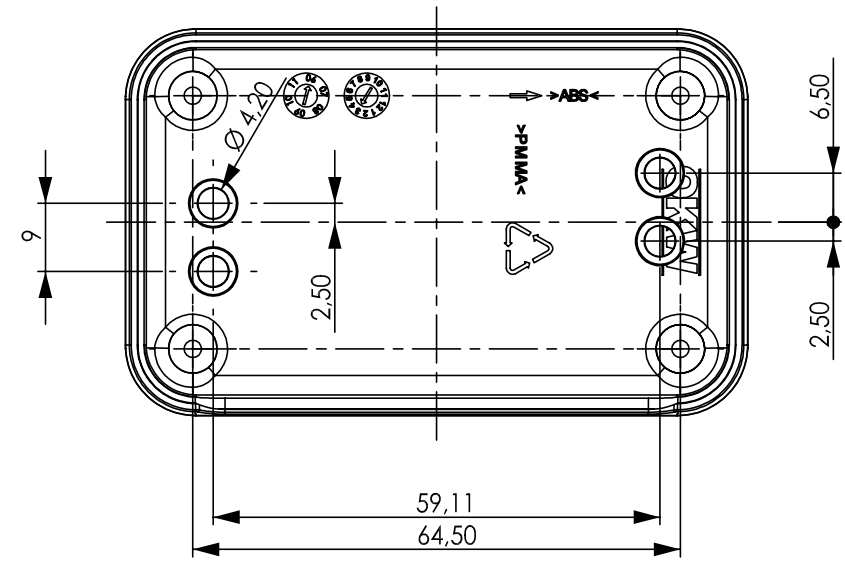
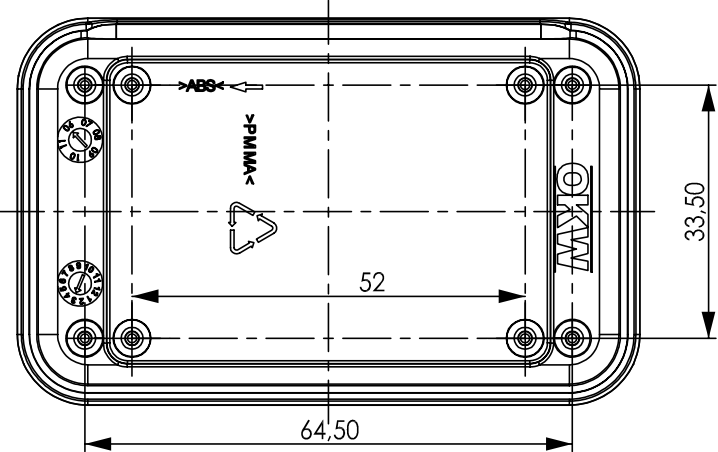


[Customising](#)



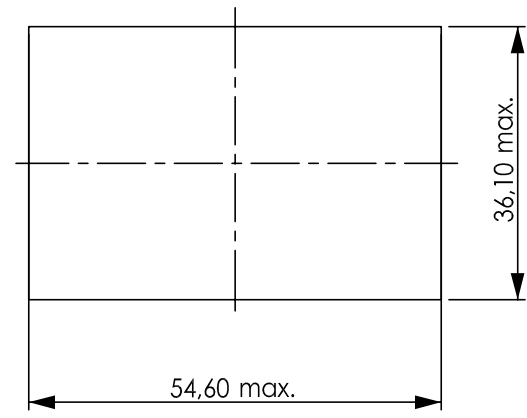
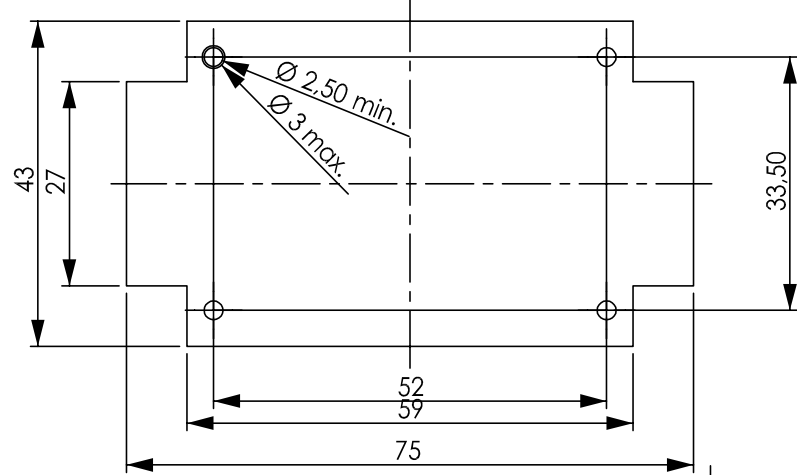
**Oberteil
Top-Part**

**Unterteil
Bottom-Part**



**Platine
P C B**

**Folientastatur
membrane keyboard**



Informationskopie wird nicht aktualisiert Copy for Information will not be updated	Bearb. am: 04.04.06	Material:	Toleranzen:	
	Ersteller: Herrlich		DIN 16901 T130	
Technische Änderungen vorbehalten. Irrtümer oder Druckfehler begründen keinen Anspruch auf Schadenersatz. Wichtige Einbaumaße bitte direkt mit dem aktuellen Produkt abstimmen. Subject to technical modification without prior notice. Typographical and other errors do not justify any claim for damages. All dimensions should be verified using an actual moulded part. Sous réserve de modifications techniques. Toute erreur ou faute d'impression ne justifie aucune demande d'indemnisation. Nous prions les clients de vérifier les dimensions des composants avec les boîtiers avant le montage.	Freigabe:	Farbe:	Zeichnungsart:	DIN 6 Teil 2 Maßstab: 1 : 1
	Rev. Index: 3		KUNDE	
	Stand:	This document contains proprietary information of OKW Gehäusesysteme GmbH and is tendered subject to the conditions that the information be retained in confidence not be reproduced or copied and not be used or incorporated in any product.		Bearbeiter: Herrlich Dateiname: 00008216
	SOFT-CASE S Vers. without / with intermediate ring A90501..		Für dieses Dokument behalten wir uns alle Urheberrechte vor. Es darf auch auszugswise weder vervielfältigt noch Dritten in irgendeiner Form zugänglich gemacht werden.	