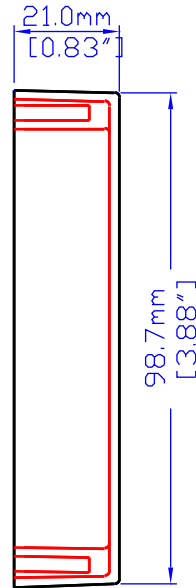
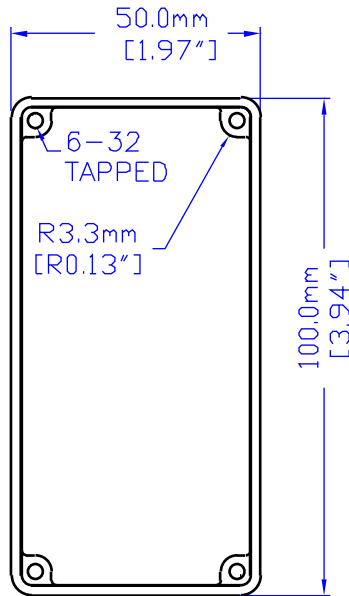


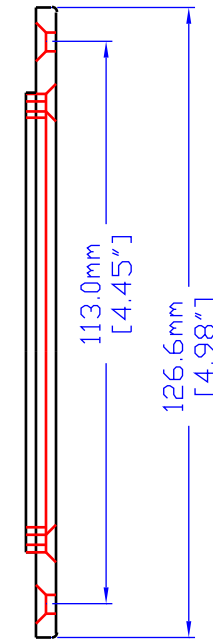
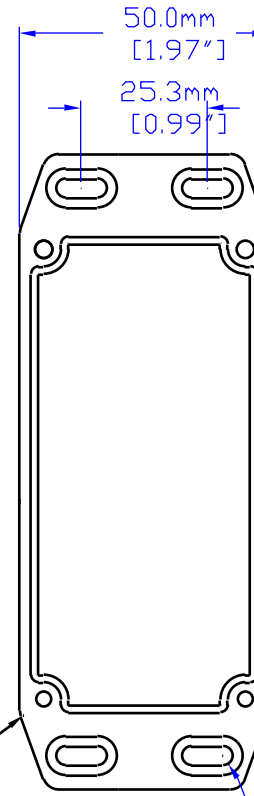
NOTES

MATERIAL: -DIECAST ALUMINUM ALLOY.  
-FOUR 6-32 Phillips SCREWS.

VIEW OF BOX (LID REMOVED)



VIEW INSIDE LID



4.3 X 10.5 mm  
(.17 X .40")  
SLOTS COUNTERSUNK

NOTE:  
FOR DETAIL DIMENSIONING  
REFER TO DRAWING  
# 1590C

A MODIFICATION SERVICE IS AVAILABLE.  
THESE ENCLOSURES CAN BE MILLED, DRILLED  
PAINTED, SILK SCREENED TO YOUR SPECIFICATIONS  
TO PROVIDE A FINISHED ENCLOSURE FOR  
YOUR PROJECT.  
PHONE OR FAX FOR AN IMMEDIATE QUOTATION.

WATERPROOF ENCLOSURE IS AVAILABLE # 1590WGFL,  
SILICONE SEAL, STAINLESS STEEL SCREWS.  
THE WATERPROOF ENCLOSURE WILL AFFORD  
PROTECTION AGAINST LIQUID TO  
NEMA 4 AND IP65 LEVELS.

THIS ENCLOSURE IS ALSO AVAILABLE PAINTED  
STANDARD COLOURS, BLACK AND GRAY  
POLYESTER POWDER COAT TEXTURE FINISH.  
IDEAL FOR EXTERIOR APPLICATIONS.



HAMMOND MANUFACTURING

1590GFL

website: [www.hammondmfg.com](http://www.hammondmfg.com)