



Features and Benefits

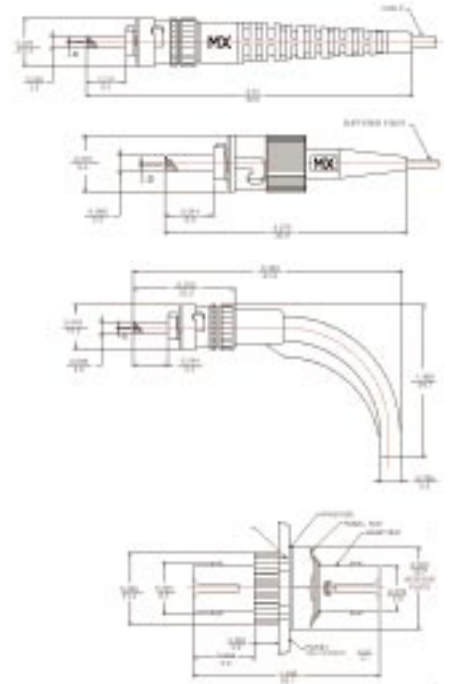
The ST® series of lightwave connectors are specially designed for distribution applications and are fully compatible with existing ST® type hardware. The screw-on captivation mechanism in the long boot style provides excellent Kevlar® retention without the expense and inconvenience of crimp tools. If the crimping method of Kevlar® retention is preferred, two options are available. A long boot style is designed to superior strain relief and a 90° boot style is designed for sensitive applications where controlled and managed bends are required. A boot for 900µm buffered fibre is also available for direct termination.

A broad range of ST® adapters are available to compliment the connectors. Metallic or polymer versions are available for both multimode and singlemode applications.

- High performance multimode and singlemode pre-polished ferrules.
- ST® compatible bayonet coupling.
- Field installable.
- Standard crimp and crimpless screw type Kevlar® retention.
- Low insertion loss : <.34dB typ. MM
<.15dB typ. SM
- Variety of connector styles : long boot, 90° boot & 900µm buffered fibre.

Performance and Specifications

	Min	Max	Comments
Durability	-	0.1dB	Per FOTP-21A, 1000 cycles. Cleaning every 100 cycles.
Temp. Range :			
Storage	-40°C	+80°C	May be further limited by cable specifications.
Operating	-40°C	+80°C	May be further limited by cable specifications.
Thermal Shock	-	0.1dB	-40°C to +60°C, 10 cycles.
Temp. Cycling	-	0.1dB	-40°C to +80°C, 10 cycles.
Humidity Cycling	-	0.1dB	Per FOTP-5, +60°C at 95% RH for 504 hours.
Cable Retention	-	0.2dB	Per FOTP-6, 40lb, load without adhesive



Order No.	Description
91.A0084	ST®-MM-Polymeric nut - Screw
91.A0094	ST®-MM-Metal nut
91.A0104	ST®-MM-Metal nut - 90° boot
91.A0114	ST®-MM-Metal nut - 900µm boot
91.A0124	ST®-SM-Metal nut
91.A0130	ST®/ST®-SM-Polymeric Body
91.A0140	ST®/ST®-SM-Metal Body
91.A0150	ST®/ST®-MM-Polymeric Body
91.A0160	ST®/ST®-MM-Metal Body

MOLEX PREMISE NETWORKS

Molex Premise Networks
Corporate Headquarters
Tel: 603 324 0200
www.molexpn.com

Western Europe Headquarters
Tel: 44 (0) 1489 572111
www.molexpn.co.uk

Eastern Europe Headquarters
Tel: 48 22 36 92 51
www.molexpn.pl

Asia Headquarters
Tel: 852 2637 3759
www.molexpn.com.hk

South Pacific Headquarters
Tel: 61 3 9747 8322
www.molexpn.com.au

Molex Incorporated
Tel: 630 969 4550
www.molex.com