

## Product Range Series: 10 New "E2 mini"

351+443/1467/1479

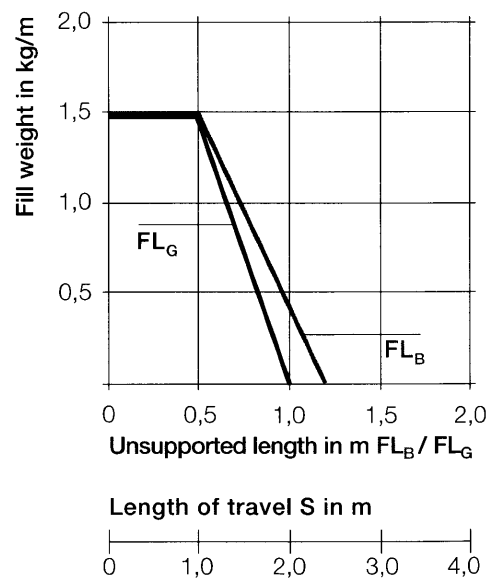
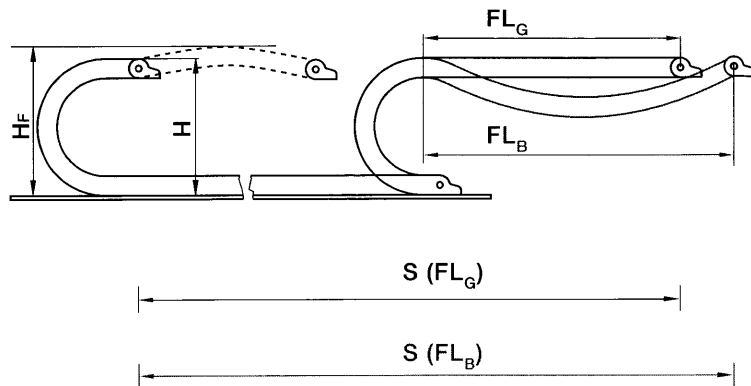
### Product Range:

Inner Widths (Bi) in mm: 15, 25, 38, 50, 63, 80, 100  
 Bending Radii (R) in mm: 028, 038, 048, 075, 100, 110°, 125, 145°, 180°  
 Pitch: 30,5 mm/link = 33 links/m (1006,5mm)

\* Delivery time available upon request

### Unsupported length

- FL<sub>B</sub> = unsupported with permitted sag
- FL<sub>G</sub> = unsupported with straight upper run



New version with larger pins and double stop dog for long service life and long unsupported length

igus® Energy Chain Systems®

Phone +49- (0) 22 03 96 49-0  
 Fax +49- (0) 22 03 96 49-222

igus® GmbH  
 51127 Cologne

Internet: <http://www.igus.de>  
 email: [info@igus.de](mailto:info@igus.de)

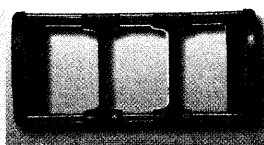
### Price Index



7 Width  
 9 Bending Radii



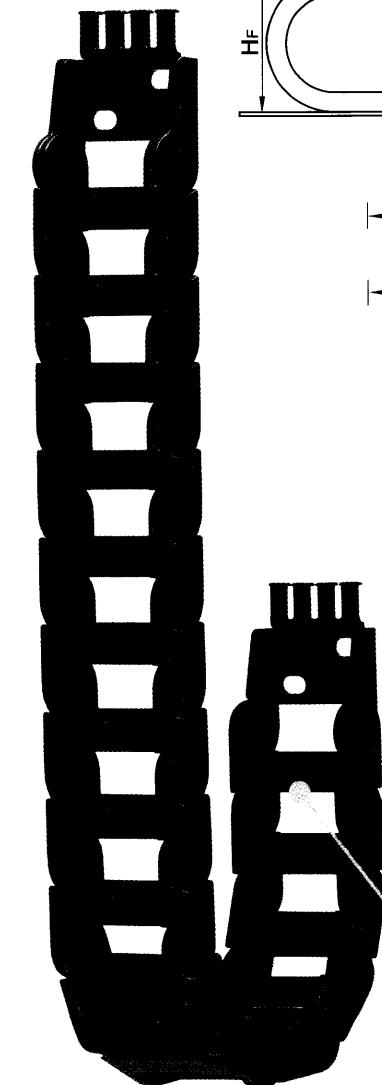
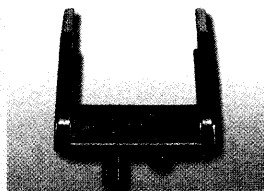
Interior separation possible



Mounting bracket with or without strain relief tie-wrap plates



Quickfix: mounting bracket with dowel



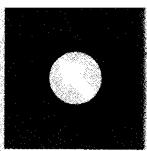
### When to use the Series 10 New:

- If opening is not necessary
- If many connection options are required (Quicksnap, Quickfix, etc.)
- If a small but very stable chain is required

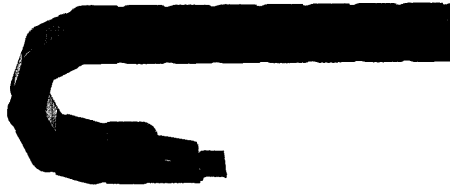
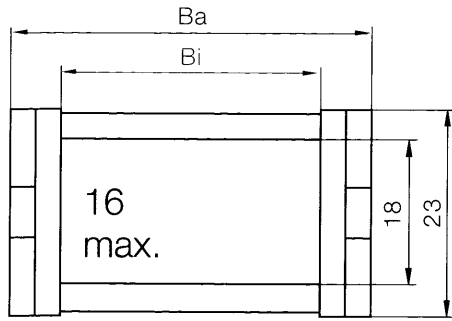


### When not to use it:

- If extremely quick opening of the links is necessary
  - ▶ Series 15 New "Zipper", Page 4.12
- If quick insertion of cables with pre-assembled connectors is required
  - ▶ Series E14 "Easy Chain", Page 3.26



## Product Range



Order Example



10.025.038.0

Standard color

0 = Black

● Other colors

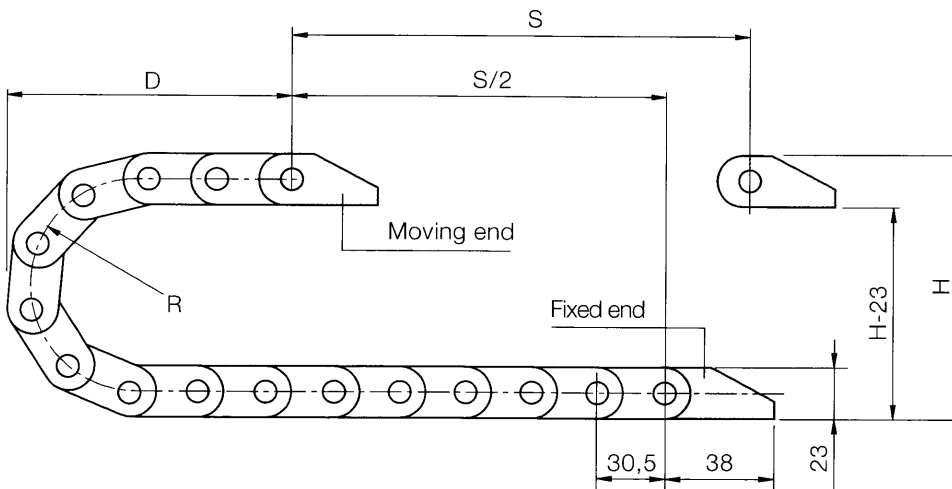
► Design,  
Page 1.62

\* Delivery time  
available  
upon request

Part No.	Bi	Ba	Bending Radii
10.015. Radius	15	26	028 038 048 075
10.025. Radius	25	36	100 110* 125 145*
10.038. Radius	38	49	180*
10.050. Radius	50	61	
10.5. Radius	63	76	These bending radii can be combined with every chain width!
10.6. Radius	80	94	
10.7. Radius	100	113	

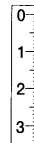
Supplement part no. with required radius  
for example 10.25.100.0

## Installation Dimension



Pitch: = 30,5 mm per link  
Links per m: = 33  
Chain length: =  $\frac{S}{2} + K$

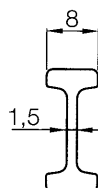
R	28	38	48	75	100	110*	125	145*	180*
H'	80	100	120	175	225	245	275	315	385
D	70	80	90	120	145	155	170	190	225
K	150	185	215	300	375	410	455	520	630



\*The required clearance height is  $HF = H + 20$  (with 1,5 kg/m fill weight)  
Please consult igus® if space is particularly restricted.

## Interior Separation

Separators are used in order to vertically partition the interior of the Energy Chain.



### Vertical Separator

Unassembled **Part No. 101**  
Assembled **Part No. 111**

Series 10 New

Phone +49- (0) 22 03 96 49-0  
Fax +49- (0) 22 03 96 49-222

