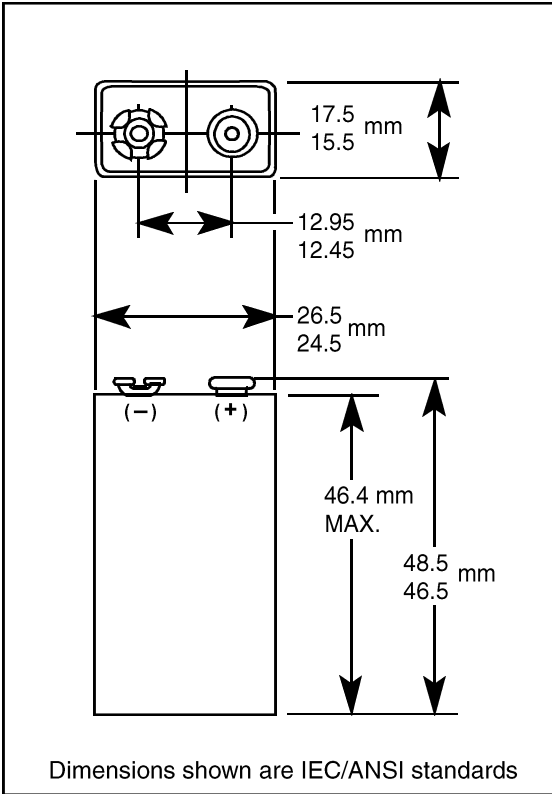




# Size: 9V (6LR61) Alkaline-Manganese Dioxide Battery

Zn/MnO<sub>2</sub>



Nominal Voltage:	9 V
Nominal Internal Impedance:	1,850 m-ohm @ 1kHz
Average Weight:	46.5 gm (1.64 oz.)
Volume:	22.8 cm <sup>3</sup> (1.39 in. <sup>3</sup> )
Terminals:	Miniature Snap
Operating Temperature Range:	-20°C to 54°C (-4°F to 130°F)
ANSI:	1604A
IEC:	6LR61

Discharge Characteristics at 20°C (70°F)



\* Delivered capacity is dependent on the applied load, operating temperature and cut-off voltage. Please refer to the charts and discharge data shown for examples of the energy / service life that the battery will provide for various load conditions.

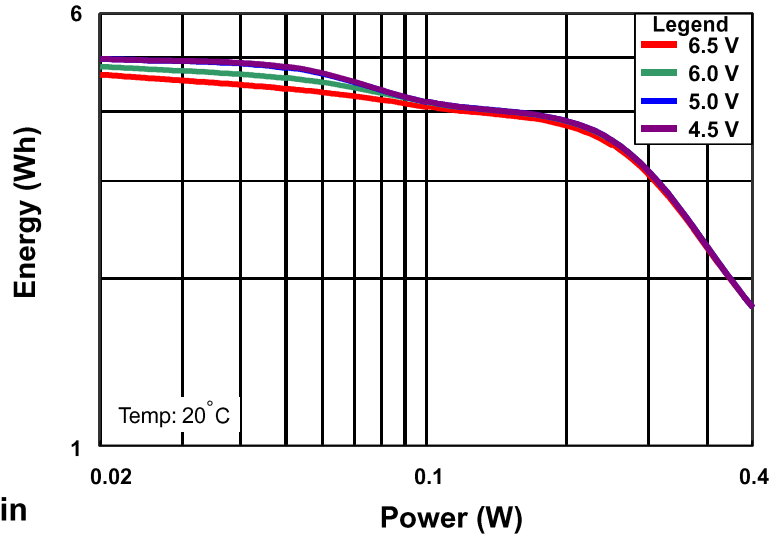


# Size: 9V (6LR61)

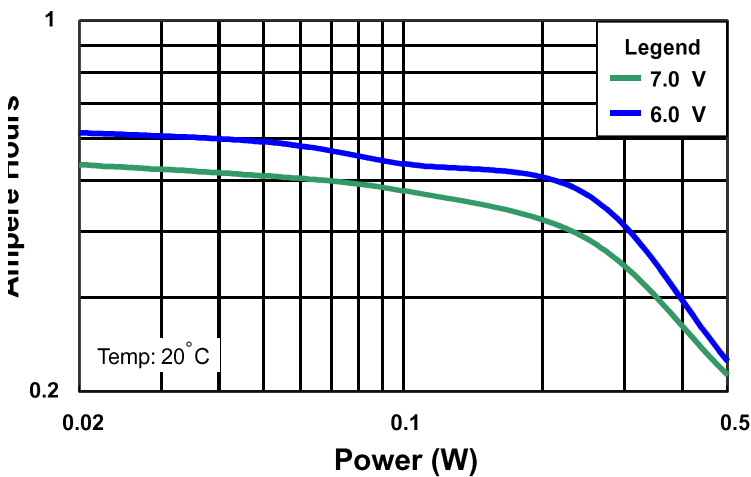
## Alkaline-Manganese Dioxide Battery

Zn/MnO<sub>2</sub>

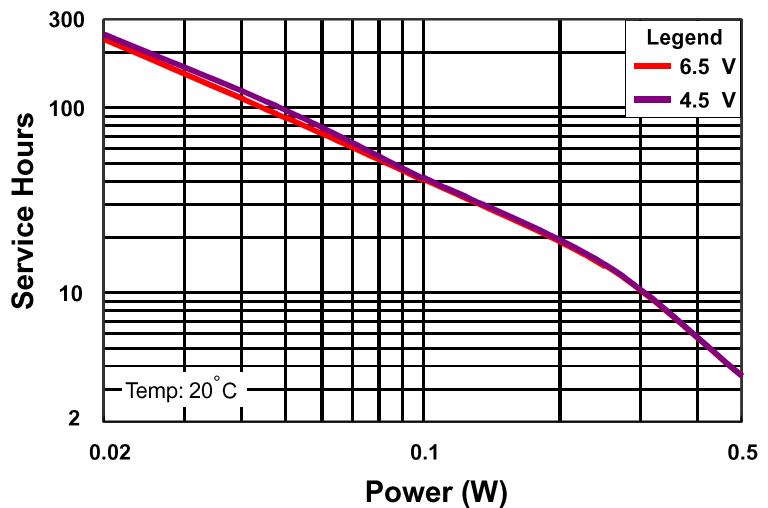
Delivered Energy vs Power Drain



Delivered Capacity vs Power Drain



Service Hours vs Power Drain



**DURACELL**<sup>®</sup>  
BATTERIES

Berkshire Corporate Park  
Bethel, CT 06801 U.S.A.  
Telephone: Toll-free 1-800-834-2656  
Internet: www.duracell.com

\* Delivered capacity is dependent on the applied load, operating temperature and cut-off voltage. Please refer to the charts and discharge data shown for examples of the energy / service life that the battery will provide for various load conditions.