



Bernstein

Bernstein AG
Postfach 1164
D-32437 Porta Westfalica

Technical data sheet: SHS-A1Z-SR (AC/DC)

Safety hinge switch

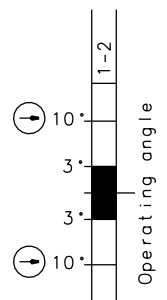
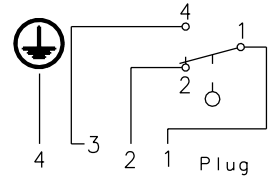
Type: SHS-A1Z-SR (AC/DC)

Art.-No.: 601.9261.016

Date: 22.08.01



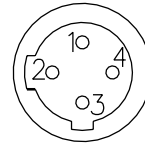
Positive opening operation according to DIN EN 60947-5-1 IEC 60947-5-1



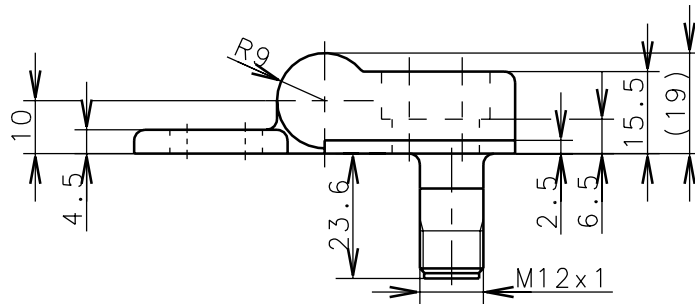
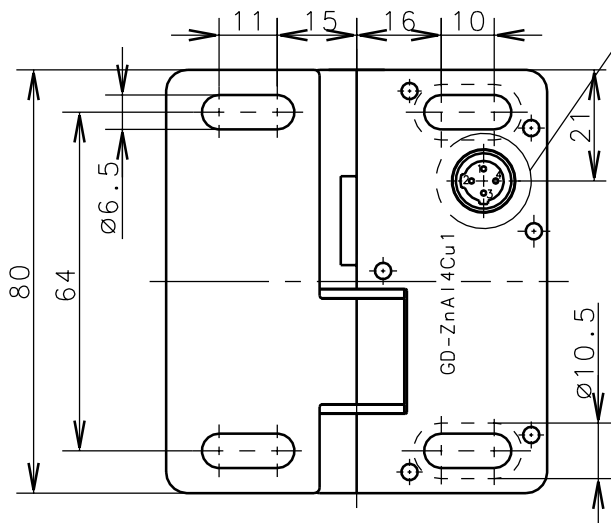
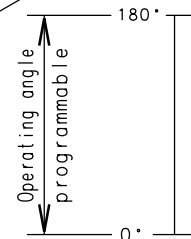
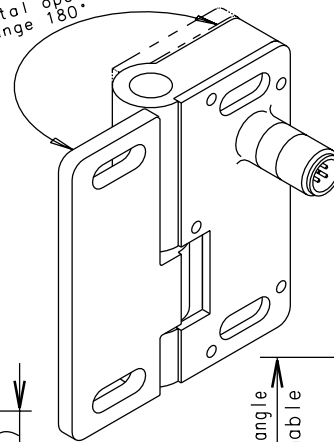
Switching angle

Tolerance $\pm 0.5^\circ$

Recommended frame recess $\varnothing 18\text{mm}$



Total operating range 180°



Schutzvermerk nach DIN 34 beachten
Copyright reserved

Mechanical features	Electrical features	Standards:
Enclosure: GD-Zn	Enduring current I_{th} : 3 A	EN 60204-1
Cover: GD-Zn	Isolation: 2.5 KV	EN 60947-5-1
Wing: GD-Zn	Short-circuit protection: 6A gL/gG	EN 60529
Ambient air temperature: -25°C up to $+70^\circ\text{C}$	Utilisation categorie: DC-13, 60V DC/0.5 A or AC-15, 230V AC/1.5 A	GS-ET 15
Contact type: 1NC \rightarrow C	Rated insulation voltage U_i : 250V	
Switch frequency: 1200 switch operations/h		
Mounting: 4xM6 screws DIN 7984 or DIN 6912		
Weight: approx. 0,40 kg		
Protection class: IP67		
Build in location: selectable		
Terminal: M12-plunger (4 pin)		
Mechanical life: 1×10^6 switch operations		
Switching point: operating angle $+3^\circ$		
Forced disconnection: operating angle $+10^\circ \pm 0.5^\circ$		
Operating range: $0^\circ - 180^\circ$		
Force: Axial: 750N Radial: 1000N	Safety instructions	
	<ul style="list-style-type: none"> • SHS shown with operating angle permanently set and set screw removed. • To avoid excessive radial stress in applications containing large doors, the SHS should be mounted either in pairs of two, or in conjunction with a dummy hinge. 	