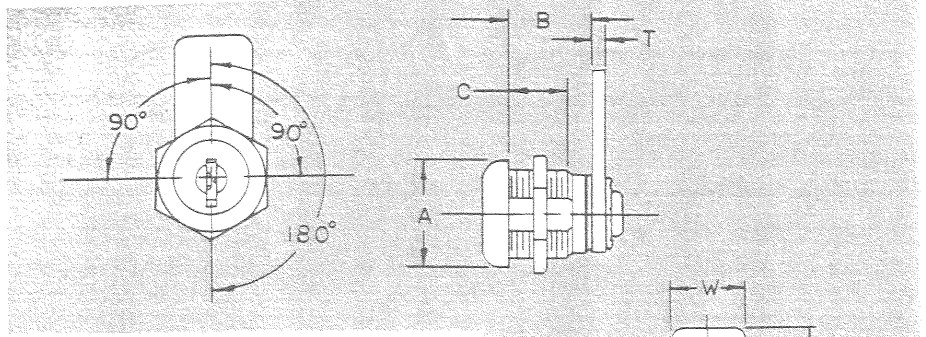
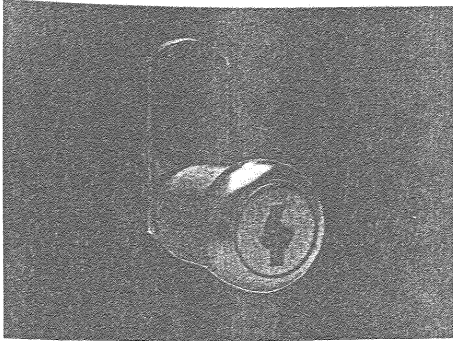


C610 - STAINLESS STEEL CAMLOCKS**C610**

Lock Number Dimensions in mm - Tolerances $\pm 0.2\text{mm}$

	"A"	"B"	"C"	"T"	"W"	"X"	"Y"
C610XS	23.0	11.3	6.5	2.3	15.9	16.3	18.8
C610S	23.0	16.2	12.0	2.3	15.9	16.3	18.8
C610M	23.0	22.6	18.8	2.3	15.9	16.3	18.8
C610L	23.0	28.7	25.0	2.3	15.9	16.3	18.8
C610XL	23.0	35.4	31.0	2.3	15.9	16.3	18.8

- Material: Zinc Alloy diecast housing and cylinder.
 - Mechanism: 5 Disc tumbler.
 - Finish: Stainless Steel capped bezel
 - Key Codes: 100 - single bitted key - mastering available by arrangement
 - Key Entries: Single or Double.
 - Key Material: Brass for locks keyed to differ (KD).
Steel or Brass for locks keyed alike (KA).
 - Rotation: 90° or 180° right or left turn.
 - Fixing: Nut or speedclip.
 - Cams: See page 13 for standard range
- XS** version has fixed cam - cams for other sizes secured by screw.

