

# Relays

599-244  
599-232



## SUB-MINIATURE PCB RELAYS

### Kam Ling - SPCO 3A

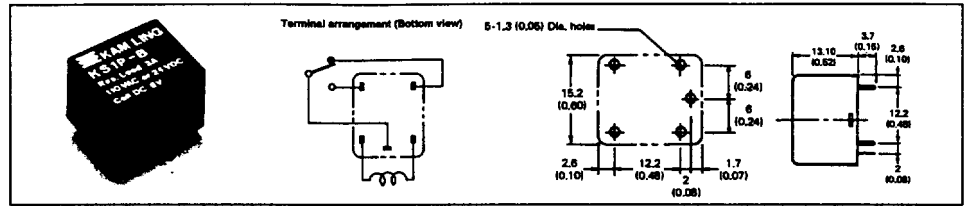


KAMLING ELECTRONIC

A very low cost subminiature single pole changeover relay for low power applications. PCB mounting.

AgCdO contacts rated at 3A 24VDC.

Power consumption 360mW approx.



Order Code	Coil Voltage	Coil Resistance	Contacts	Rated Voltage	Rated Current	Max. Switching Capacity	Dimensions LxHxW (mm)	Price £ each			
								1+	25+	100+	250+
820-031	6VDC	100Ω	SPCO	110VAC 24VDC	3A	80W	18.5x13.1x15.2	0.56	0.44	0.36	0.33
820-033	12VDC	400Ω	SPCO	110VAC 24VDC	3A	80W	18.5x13.1x15.2	0.56	0.44	0.36	0.33

### Kam Ling - SPCO 5A and 10A



KAMLING ELECTRONIC

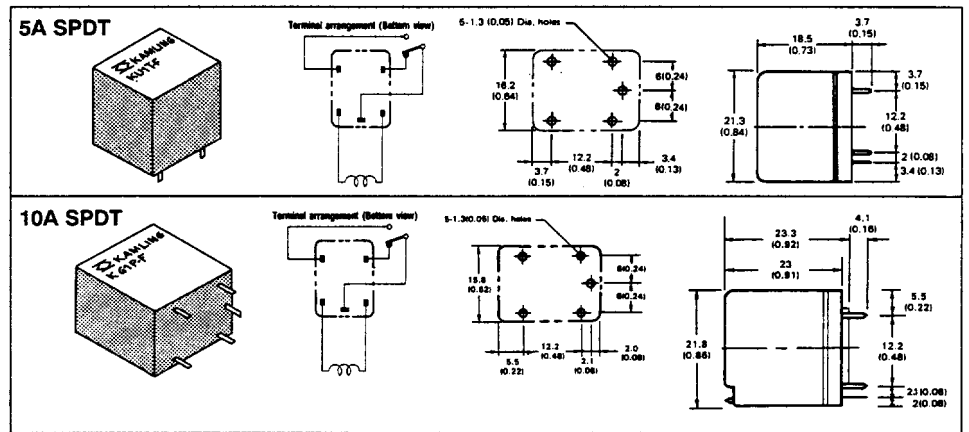
Compact, low cost single pole relays for direct PCB mounting. Flux-tight design.

Available in 5A and 10A contact versions.

Power consumption 360mW approx.

Kam-Ling KU1T-F (5A SPCO)

Kam Ling KG1P-F (10A SPCO)



Order Code	Coil Voltage	Coil Resistance	Contacts	Rated Voltage	Rated Current	Max. Switching Capacity	Dimensions LxHxW (mm)	Price £ each			
								1+	25+	100+	250+
820-005	6VDC	100Ω	SPCO	110VAC 24VDC	5A	120W	21.3x18.5x16.2	0.65	0.50	0.44	0.40
820-010	12VDC	400Ω	SPCO	110VAC 24VDC	5A	120W	21.3x18.5x16.2	0.65	0.50	0.44	0.40
820-014	6VDC	100Ω	SPCO	110VAC 24VDC	10A	240W	21.8x23.3x15.8	0.77	0.60	0.52	0.47
820-018	12VDC	400Ω	SPCO	110VAC 24VDC	10A	240W	21.8x23.3x15.8	0.77	0.60	0.52	0.47
820-019	24VDC	1600Ω	SPCO	110VAC 24VDC	10A	240W	21.8x23.3x15.8	0.82	0.65	0.56	0.50

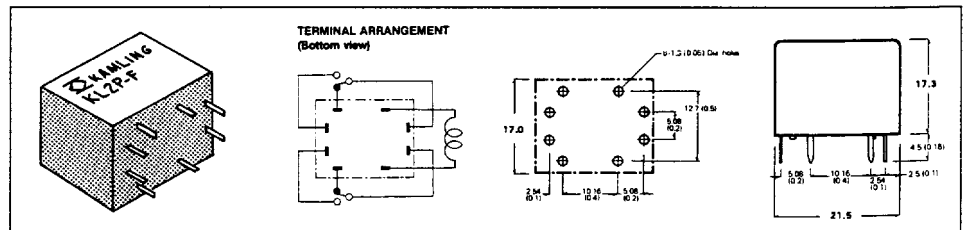
### Kam Ling KL2-P - DPCO 3A



KAMLING ELECTRONIC

Low cost direct PCB mounting relays. Flux-tight design.

Power consumption 510mW approx.



Order Code	Coil Voltage	Coil Resistance	Contacts	Rated Voltage	Rated Current	Max. Switching Capacity	Dimensions LxHxW (mm)	Price £ each			
								1+	25+	100+	250+
820-020	6VDC	70Ω	DPCO	110VAC 24VDC	3A	120W	21.5x17.3x17.0	0.85	0.75	0.64	0.58
820-025	12VDC	280Ω	DPCO	110VAC 24VDC	3A	120W	21.5x17.3x17.0	0.85	0.75	0.64	0.58