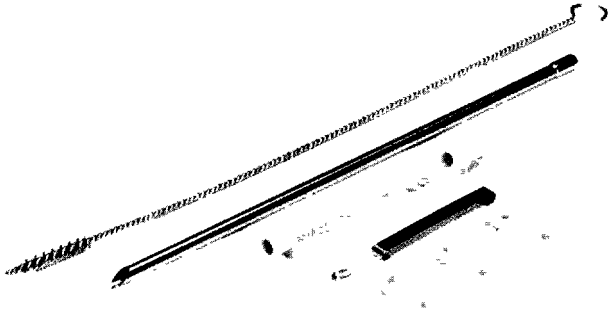


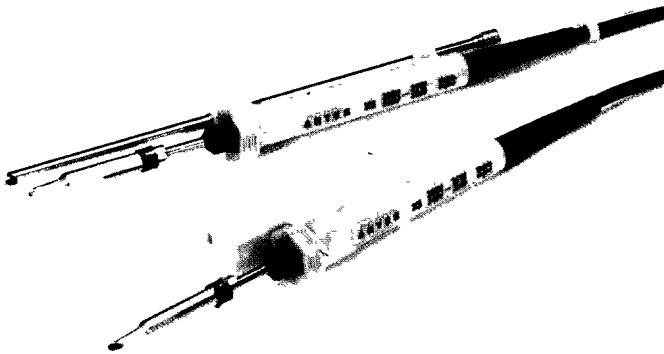
CS, XS, XSD, CSTC, XSTC FUME EXTRACTION UPGRADE KIT

282-698



This kit contains the following parts:-

- ~ Polycarbonate tube carrier and screw.
- ~ Stainless Steel fume-extraction tube.
- ~ Flexible tubing and 'S' clips.
- ~ Cleaning brush.
- ~ Bench stand clip.



The kit can be used to convert any of the following Antex (or Antex built brand-named) irons to fume-extraction models.

CS	CSTC
XS	XSTC
XSD	

FUME EXTRACTION

The Control of Substances Hazardous to Health (C.O.S.H.H.) regulations (1988) state "..... Every employer shall ensure that the exposure of his employees to substances hazardous to health is either prevented or, where this is not reasonably practicable, adequately controlled".

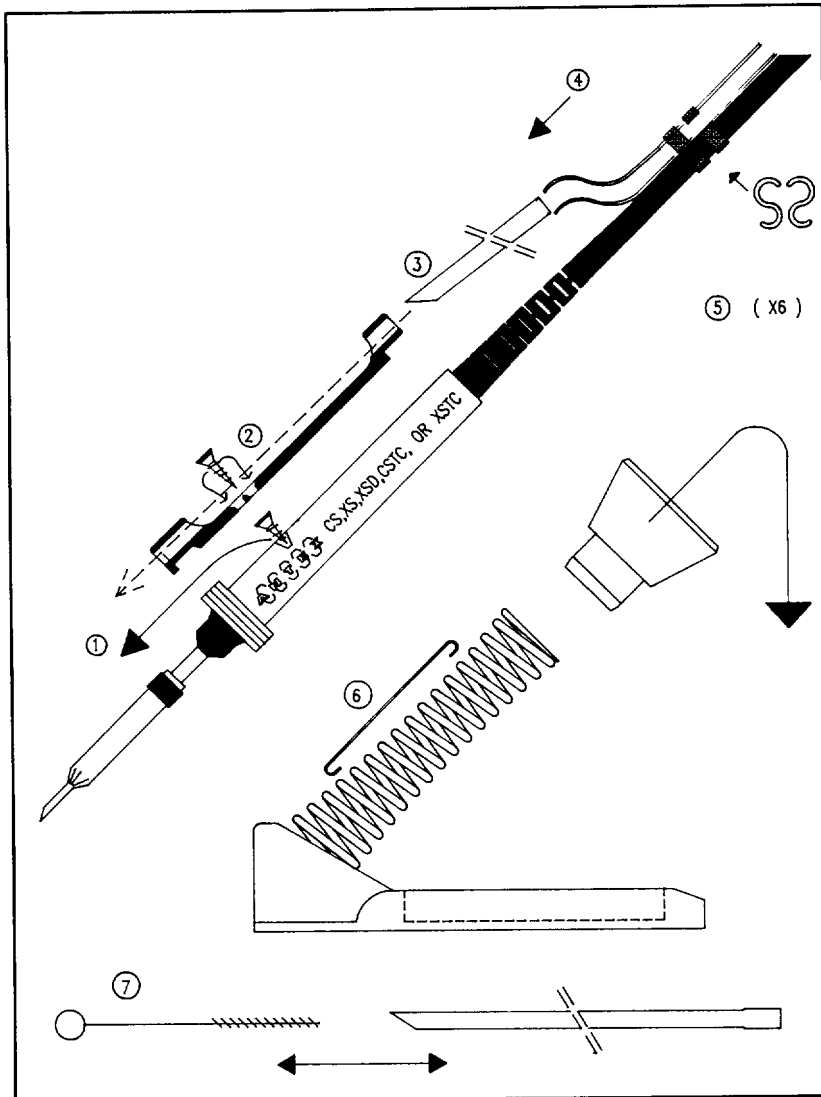
Solder and its associated fluxes contain many substances which in their particulate or gaseous state can be harmful to health, particularly if inhaled in quantity. C.O.S.H.H. legislation exists to protect users and others in the work vicinity from harm caused by an unclean environment. The risk of harm is dependant on

- a) The substances present.
- b) The concentration of the substances, (usually a function of the size of room and number of work stations therein) and length of exposure.
- c) Ventilation or other positive actions taken to remove the poisonous substance.

In the case of soldering, the most positive and safest action is to remove the harmful gases and suspensions of impurities at the point of creation, i.e. at the point of soldering. The fume extraction upgrade kit allows most Antex traditional (yellow) soldering irons to be easily converted for connection to a fume extraction pump and filter system.

USE OF FUME EXTRACTION IRON

When connected to a suitable pump and filtration system, the gaseous fumes and suspended particles will be sucked straight up the fume extraction tube. Practice will find the most comfortable position of holding the iron to give an efficient working position and good view of work.



Fitting:-

(remove fingerhook from iron if fitted)

- 1) Remove anodised cross-headed screw.
- 2) Place yellow polycarbonate tube carrier as shown. Use new screw* provided fix tube carrier to handle.
- 3) Slide fume extraction steel tube from rear through both holes of tube carrier.
- 4) Connect required length of flexible tubing to rear end of steel tube.
- 5) Clip tubing to cable using yellow "S" clips provided.
- 6) Connect steel clip to spring on bench stand to give additional support.

* Do not use the new larger screw without tube carrier.

Cleaning:-

A wire brush is provided to remove any build up of particles which settle or condense on the inside of the steel tube.

The upgrade kit is available:-

- ~ Unit pack for upgrading 1 iron ~ order pt No. WFSKITO
- ~ Multipack for upgrading 10 irons ~ order pt No. WFMKITO

ANTEX
ANTEX (Electronics) Limited

Headquarters & Registered Office
2 Westbridge Industrial Estate
Tavistock Devon PL19 8DE
Tel: (0822) 613565
Fax: (0822) 617598

DISTRIBUTED BY: