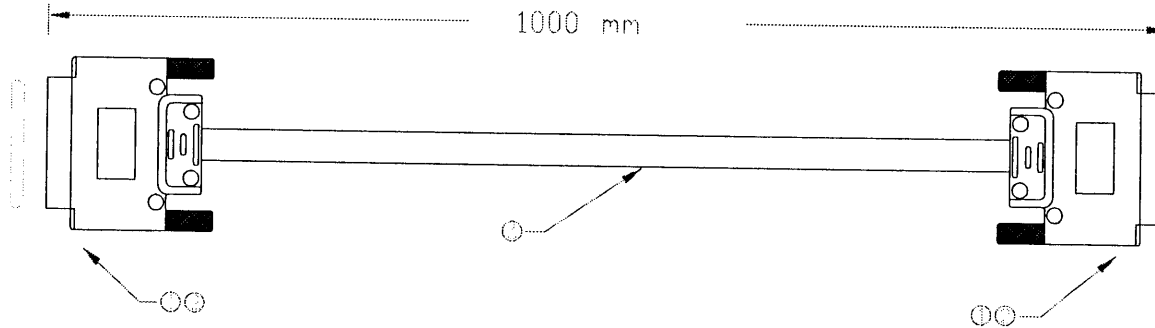




HONDA CONNECTORS

Item#	Part Number	Qty	Remarks
①	HDRA-E68MA1	2.00	
②	191-000001-001	2.00	
③	68KBK00004	1.05	



WIRING

SEE WIRING CHART

Pin 1 to Pin 1
 Pin 2 to Pin 2
 Pin 3 to Pin 3

Pin 67 to Pin 67
 Pin 68 to Pin 68

This document is proprietary information. Do not copy, reproduce or distribute without the expressed written consent of an authorized agent of Honda Connectors Ltd.

REVISIONS

PROD. CLASS 1100	PROPOSAL NUMBER:	HONDA CONNECTORS PART NUMBER HH-68R100CB-004	
PAGE 1 OF 1	TOLERANCES: UNLESS OTHERWISE NOTED, ALL LINEAR TOLERANCES ARE -5,+5%.	CAD FILE NUMBER: 99-0068	CUSTOMER PART NUMBER:
	THIRD ANGLE PROJECTION	DRAWN BY: Y.Kumasaka	DATE: 30/09/99
		CHECKED BY:	DATE:
			APPROVED BY:
			DATE:

HH-68RxxxxB-004

HDRA-E68MA1

Pin No.	
35	BLU/BRN
36	YEL/BRN
37	ORG/BRN
38	PNK/BRN
39	GRN/BRN
40	VLT/BRN
41	GRY/BRN
42	GRY/TAN
43	VLT/ORG
44	BLU/ORG
45	GRN/ORG
46	YEL/ORG
47	ORG/PNK
48	YEL/PNK
49	BRN/TAN
50	PNK/TAN
51	ORG/TAN
52	GRN/TAN
53	BLU/TAN
54	YEL/TAN
55	VLT/TAN
56	BLU/WHT
57	YEL/WHT
58	PNK/WHT
59	ORG/WHT
60	GRY/WHT
61	VLT/WHT
62	TAN/WHT
63	BRN/WHT
64	GRN/WHT
65	BLU/PNK
66	GRN/PNK
67	VLT/PNK
68	GRY/PNK

Pin No.	
1	BRN/BLU
2	BRN/YEL
3	BRN/ORG
4	BRN/PNK
5	BRN/GRN
6	BRN/VLT
7	BRN/GRY
8	TAN/GRY
9	ORG/VLT
10	ORG/BLU
11	ORG/GRN
12	ORG/YEL
13	PNK/ORG
14	PNK/YEL
15	TAN/BRN
16	TAN/PNK
17	TAN/ORG
18	TAN/GRN
19	TAN/BLU
20	TAN/YEL
21	TAN/VLT
22	WHT/BLU
23	WHT/YEL
24	WHT/PNK
25	WHT/ORG
26	WHT/GRY
27	WHT/VLT
28	WHT/TAN
29	WHT/BRN
30	WHT/GRN
31	PNK/BLU
32	PNK/GRN
33	PNK/VLT
34	PNK/GRY