

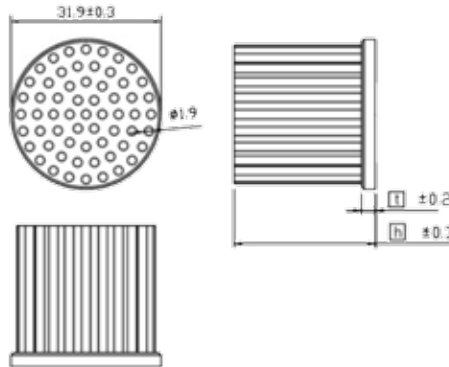


# CML3201 Series Ordering Information

Part	Height	Base	Seq #
CML3201-	20	- 3	- 101
CML3201-	25	- 3	- 101
CML3201-	30	- 3	- 101
CML3201-	35	- 3	- 101

## LED Heat Sink Specification

1. Material: Al 6063
2. Dimension:  
Foot print: Ø32mm
3. Finish: Black Anodize



## Performance

Results Based On Natural Convection	
Height	oC/W
CML3201-20-3-101	10.58
CML3201-25-3-101	9.75
CML3201-30-3-101	9.27
CML3201-35-3-101	8.13