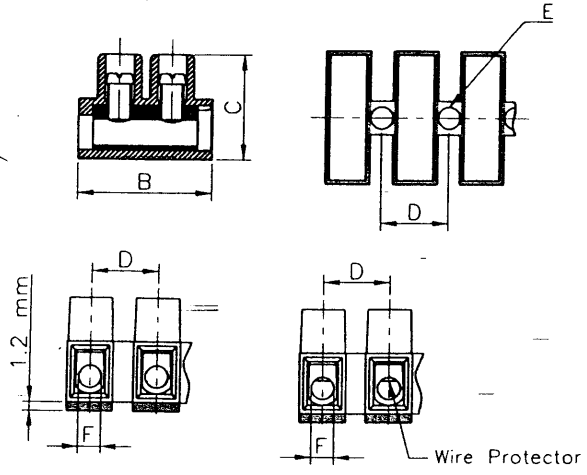
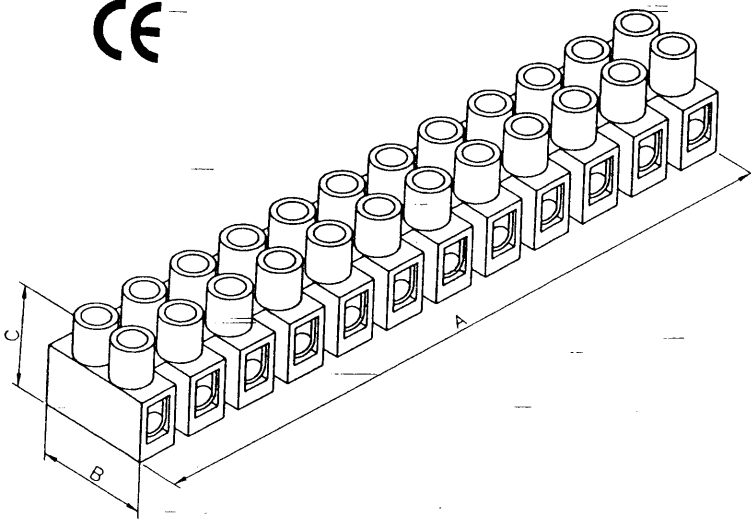


TERMINAL BLOCKS (H TYPE)

(With 1.2 mm raised base)

4009526



Dimensions & Data :

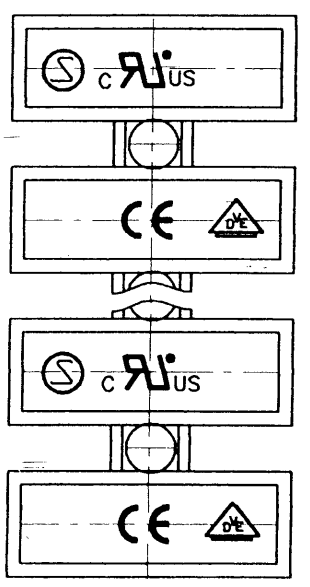
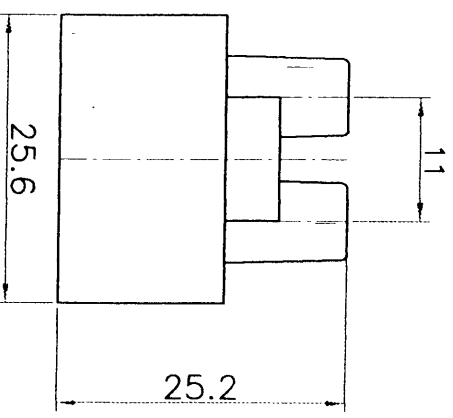
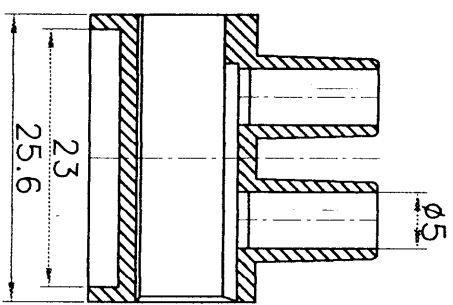
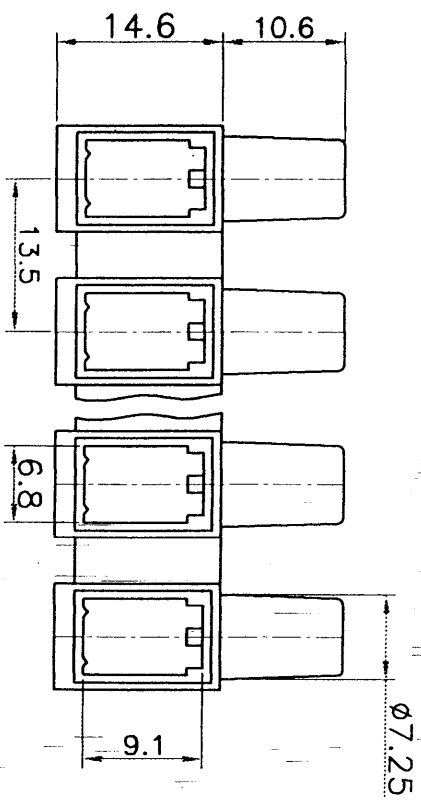
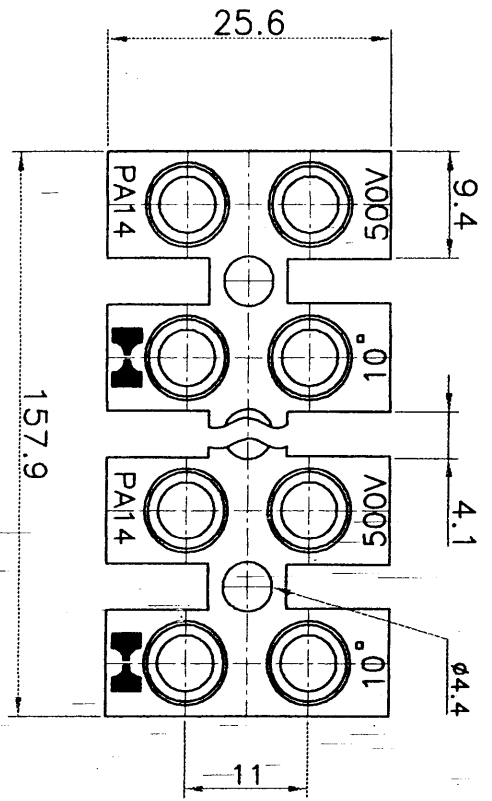
Model	Cat. No.	mm ²	Amp	Volt.	Screw	Dimensions (mm/in.)							Packing
						Unit	A	B	C	D	E	F	
PA12	PA12H	6.0	41A	500V	M3.5×7	(mm)	40.7	23.80	19.00	12.00	3.90	4.2±0.1	40 Pcs/Bag.
						(in)	5.540	0.937	0.748	0.472	0.154	0.154	400 Pcs/Carton
PA12 DS	PA12HDS	6.0	41A	500V	M3.5×7	(mm)	140.7	23.80	19.00	12.00	3.90	4.2±0.1	40 Pcs/Bag.
						(in)	5.540	0.937	0.748	0.472	0.154	0.154	400 Pcs/Carton
PA14	PA14H	10.0	57A	500V	M4×9	(mm)	158.0	25.60	25.20	13.50	4.40	5.0±0.1	25 Pcs/Bag.
						(in)	6.220	1.008	0.992	0.531	0.173	0.189	250 Pcs/Carton
PA14DS	PA14HDS	10.0	57A	500V	M4×9	(mm)	158.0	25.60	25.20	13.50	4.40	5.0±0.1	25 Pcs/Bag.
						(in)	6.220	1.008	0.992	0.531	0.173	0.189	250 Pcs/Carton

Description :

- * Base : With 1.2mm raised base.
- * Material : Polyamide 66 (Nylon 66), UL 94V2, Natural.
- * Working temperature) : 110°C.
- * Number of Poles : 12 poles.
- * Terminal Insert : Brass metal alloy, nickel plated.
- * Wire Protector (DS) : Stainless spring steel.
- * Screws : Zinc plated, yellow chromed.
- * Stripping Length : PA12 - 7.8 mm (0.31 in)
PA14 - 9.0 mm (0.35 in)

International Approvals :

Model	Germany 	U.S.A. 	Sweden 	Canada 	Denmark 	Norway 	Finland 	Holland 	Austria 	Belgium 	Italy 	Switzerland
PA12	500V/41A	600V/35A	500V	C/UL								
PA12 DS	6.0 mm ²	10-22AWG	6.0 mm ²	Approved								
PA14	500V/57A	600V/50A	500V	C/UL								
PA14 DS	10.0 mm ²	8-20AWG	10.0 mm ²	Approved								



ALL DIMENSION IN MM UNLESS OTHERWISE STATED : 0.=±0.1mm 00.=±0.2mm 000.=±0.3mm

4009526

HEAVY POWER CO., LTD

A Specialist Manufacturer
 No.7, Lane 106, Wukung 3rd. road,
 WuKe Industrial Park, Taipei Hsien,
 Taiwan, R.O.C.
 Tel :886-2-22983178
 Fax :886-2-22983183

Scale : 1.5 : 1

Date : 20/4/2001

TITLE :

TERMINAL BLOCK

Housing Material : Nylon 66, UL94-V2, Natural
Terminal Insert : Brass Metal alloy, nickel plated
Wire Protector (WP) : Stainless spring steel
Screws : Zinc-plated, yellow chromed
Working Temperature : 110° C

PART NO. PA14H
 (without wire protector)
 PART NO. PA14HDS
 (with wire protectpr)

International Approvals

CUL: E152546
 CE, VDE, SEMKO, FINKO

DWG NO.

PA14

PREPARED

For Shen - Chen

REV.