



Product catalog | High speed | FCI Basics+ | About FCI | Latest News | Employment

Interactive product catalog

BergStik® Header Right-Angle, 2.54 mm

- Customer drawing
- Product specification

77315-818-36



FCI basics

**QUICK SHIP
SAMPLES**

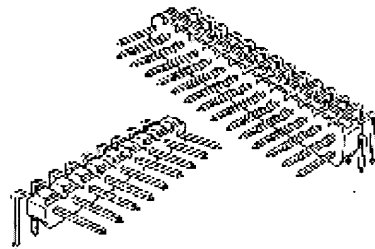
BergStik® Headers

SEARCH BY :

→ Part number

- Product type
- Application
- Industry standard
- Product tradename
- Cross reference
- Alphabetic list
- Application tooling
- Catalog keyword

- Fiber optics
- Systems & Assemblies
- Custom products
- Product literature
- Technical library



4129441

Features Selected

# of Rows	1
# of Positions per Row	36
Plating Specification	Selective gold plated, class 3
Mating Length	5.84 mm (0.230 in.)
Tail Length	3,05 mm (0.120 in.)

Other Properties

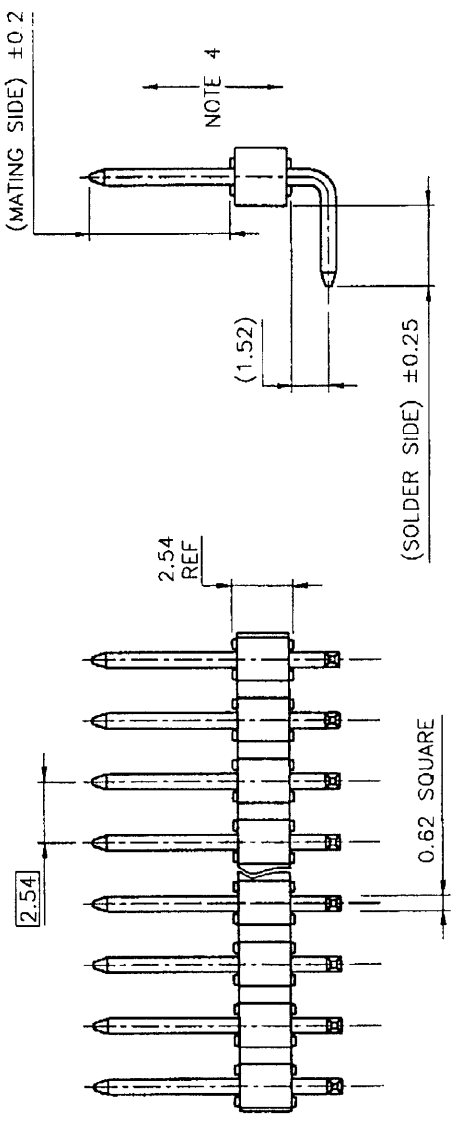
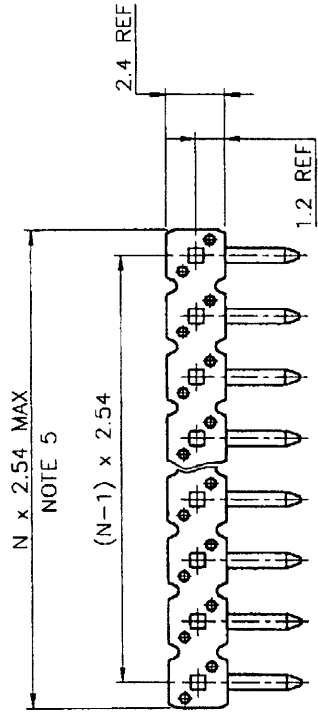
Bend Dimension from Plastic	1.40 mm (0.055 in.)
Orientation	Right angle
Body Style	Single body
Mounting Style	Board thru-mount
Board Attachment	Solder-to-Board
PCB Retention Feature	no
Packaging Type	Bag
Housing Material	PCT
Color	Black
Applicable Soldering Processes	According IEC-682-20
Contact Base Material	Copper alloy
Insulation Resistance	10000 M ohms
Withstanding Voltage	1500 V ac rms
Current Rating	3 amp max.
Retention Force	9 N (0.9 kgf) min. in one direction
Temperature Range	-65 °C to +125 °C
Application Equipment	HT 115 Ht 320
Trademark	BergStik®
Approvals & Certification	UL and CSA approved
Literature	NL Basic 07 01 E

Back

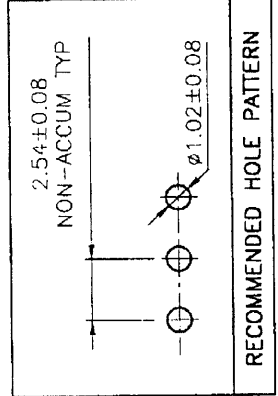
t

PRODUCT NUMBER
77315--YXX--XX

- 1 - TOTAL NB OF POSITIONS 02 TO 36
- 2 - PIN STYLE SEE SHEET 2
- 3 - PLATING SEE SHEET 2



- NOTES:
- 1 - HOUSING MAT'L : HIGH TEMPERATURE THERMOPLASTIC. UL94V-0 COLOR: BLACK
 - 2 - PIN MATERIAL : PHOSPHOR BRONZE
 - 3 - PRODUCT PACKAGED IN POLY BAGS.
 - 4 - 9N MIN RETENTION IN EITHER DIRECTION
 - 5 - TO DETERMINE DIMENSIONS :
N = NUMBER OF POSITIONS
EXAMPLE : 8 POS N x 2.54 = 20.32mm



mat'l code		SEE NOTES		TOLERANCES UNLESS OTHERWISE SPECIFIED		CUSTOMER COPY		ELECTRONICS	
U#	ECT#	NO	D#	DATE	LINEAR	ANGLES	PROJECTION	FAMILY	CODE
L	F00193	LMU	00.04.14				ϕ	UNSHR.HEADER	213
M	F10119	DLE	01.01.24				ϕ	RA SR TMT	1 of 2
		DLE	01.01.24				mm	BERGSTIK	Sheet
		JM.C	01.01.24				SCALE	77315	1 of 2
		JF.N	01.01.24				5:1		
Sheet	revision	M	M						
INDEX	Sheet	1	2						

CATALOGUE RANGE		
PLATING	PIN STYLE	MATING SOLDER
1/4/8	01	5.72 2.57
1/4/8	18	5.84 3.05
1/4/8	24	6.75 2.85

PLATING
 1 = 0.76µm GOLD ON CONTACT AREA
 3.81µm TIN-LEAD ON TAIL
 4 = 3.81µm TIN-LEAD ON CONTACT AREA
 AND ON TAIL
 8 = 0.38µm GOLD ON CONTACT AREA
 3.81µm TIN-LEAD ON TAIL

APPLICATION SPECIFIC		
PLATING	PIN STYLE	MATING SOLDER
1/4/8	22	11.71 3.2
1/4/8	25	8.07 3.05

PLATING
 1 = 0.76µm GOLD ON CONTACT AREA
 3.81µm TIN-LEAD ON TAIL
 4 = 3.81µm TIN-LEAD ON CONTACT AREA
 AND ON TAIL
 8 = 0.38µm GOLD ON CONTACT AREA
 3.81µm TIN-LEAD ON TAIL

mat'l code		tolerances unless otherwise specified		CUSTOMER COPY		ELECTRONICS www.fciconnect.com	
lit	ECT no	dr	date	projection		title	
L	FO0193	LMU	DD.04.14	⊕		UNSHR.HEADER	
M	F10119	DLE	01.01.24	m.m		RA SR TMT	
		angles		scale		product family	
		dr	DLE 01.01.24	N/A		BERGSTIK	
		engr	JM.C 01.01.24	size		Uwg no	
		city	JM.C 01.01.24	A3		77315	
		appl	JF.N 01.01.24	code		sheet	
sheet	revision					2 of -	
index	sheet						