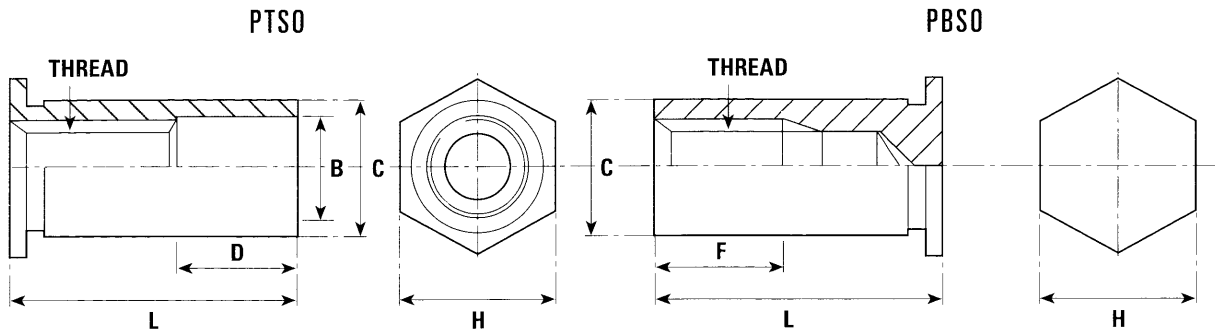


TECHNICAL DATA

PTSO & PBSO TYPES



STANDARD MATERIAL - Hardened Steel (S).
 Austenitic (18/8) Stainless Steel (8). Other materials possible on quotation.
STANDARD FINISH - Zinc Plated and Clear Passivated (Steel)
 Self colour (Stainless Steel)

DIMENSIONS

THREAD SIZES		THREAD SIZES Larger Support Surface		For Sheet Thickness	Hole Size in Sheet	C +0.00 -0.13	A/F H	Counterbore B	Minimum distance hole centre to sheet edge
Unified	ISO Metric	Unified	ISO Metric	mm	mm	mm	mm	mm	mm
4	2.5 3*	-	-	>1.0	4.20	4.19	4.8	3.2	6.0
6	3	4	2.5	>1.0	5.40	5.39	6.4	4.0	6.7
-	3.5	-	-	>1.0	5.40	5.39	6.4	4.0	6.7
8	4	6	3	>1.3	7.20	7.14	7.9	4.8	8.0
10	5	8	4	>1.3	7.20	7.14	7.9	5.2	8.0

NOTE: 3* = M3 thread in smaller body size.

Spacer Lengths PTSO	3	4	5	6	8	10	12	14	16	18	20	22	24	25	26
D Counterbore Depth			NONE				4.8			8.0				11.0	
Spacer Lengths PBSO	6	8	10	12	14	16	18	20	22	24	25	26			
F min depth full thread mm		Max possible				6.4				9.5					

HOW TO SPECIFY

PTSO

PRODUCT CODE -S-M4-12
 MATERIAL CODE PTSO- -M4-12
 THREAD SIZE PTSO-S- -12
 SPACER LENGTH PTSO-S-M4-
 LARGER SUPPORT SURFACE PTSO-S-M4-12-

PBSO

PRODUCT CODE -S-M4-12
 MATERIAL CODE PBSO- -M4-12
 THREAD SIZE PBSO-S- -12
 SPACER LENGTH PBSO-S-M4-
 LARGER SUPPORT SURFACE PBSO-S-M4-12-

SELF CLINCHING STAND OFF